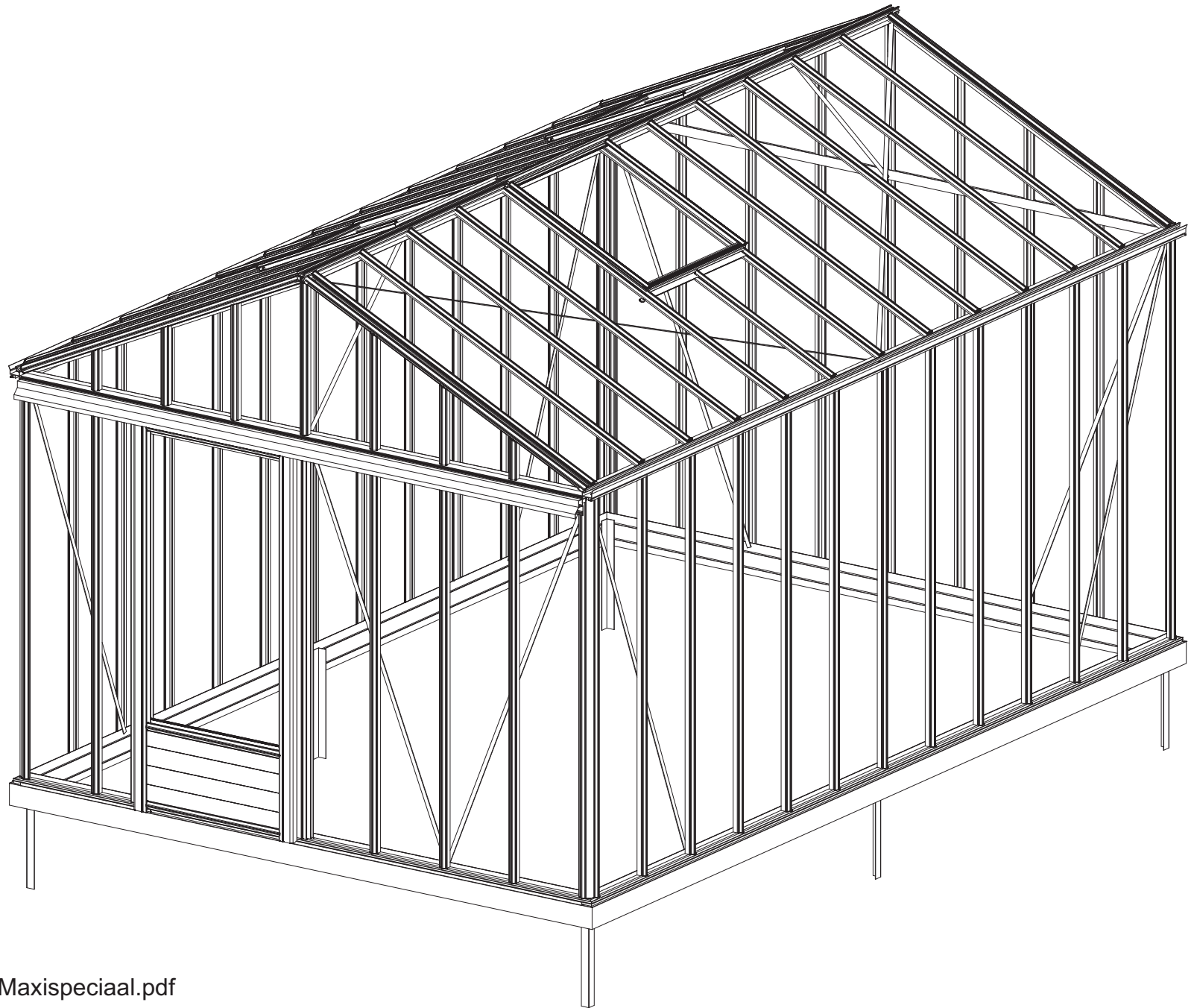
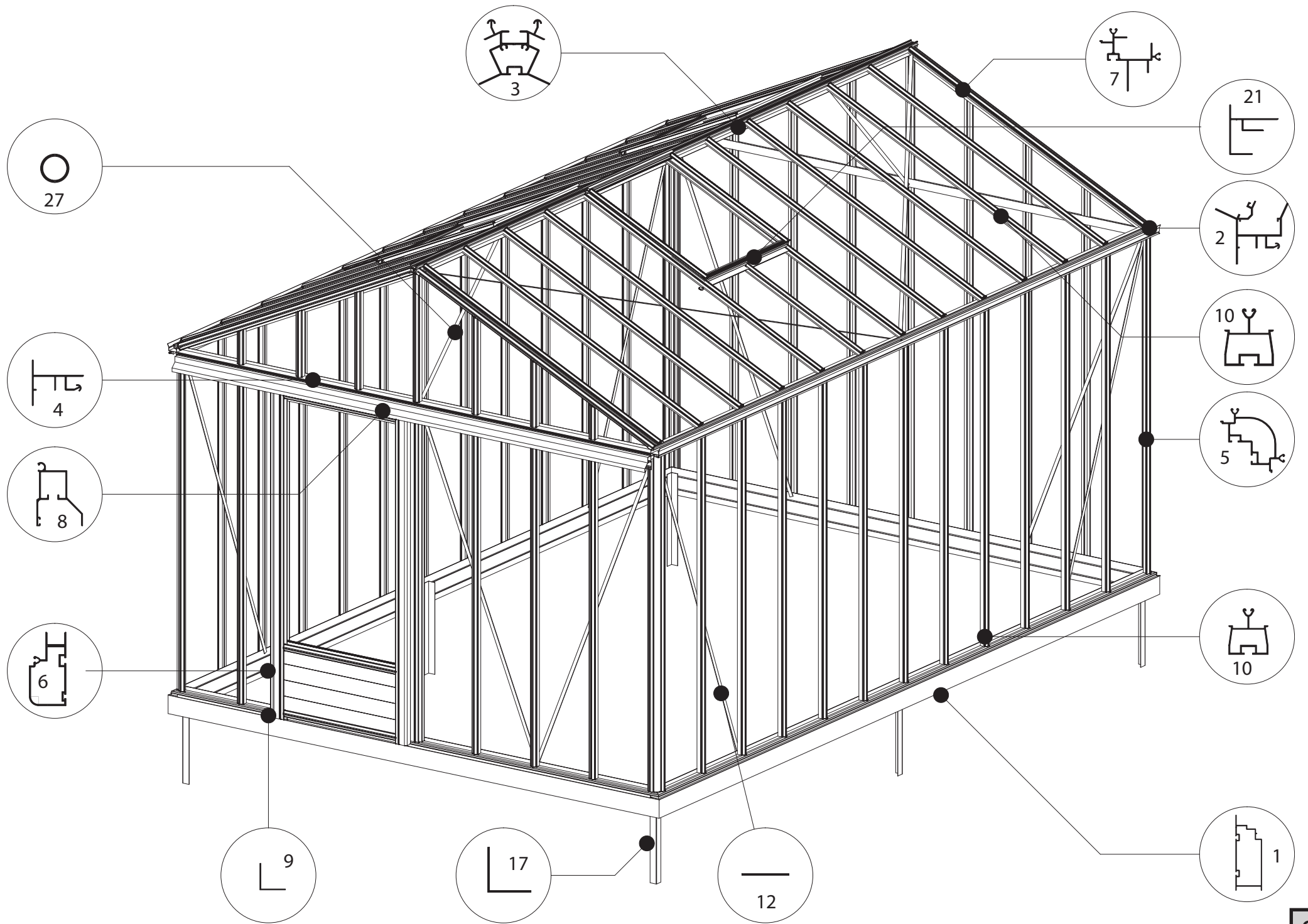


Euro-Maxi Special

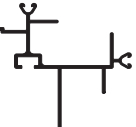

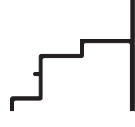


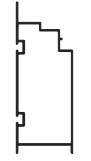

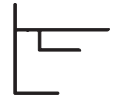
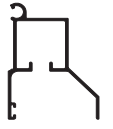


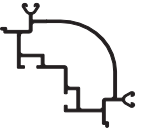







29-03-2019

www.lemmensstijn.be/Maxispeciaal.pdf

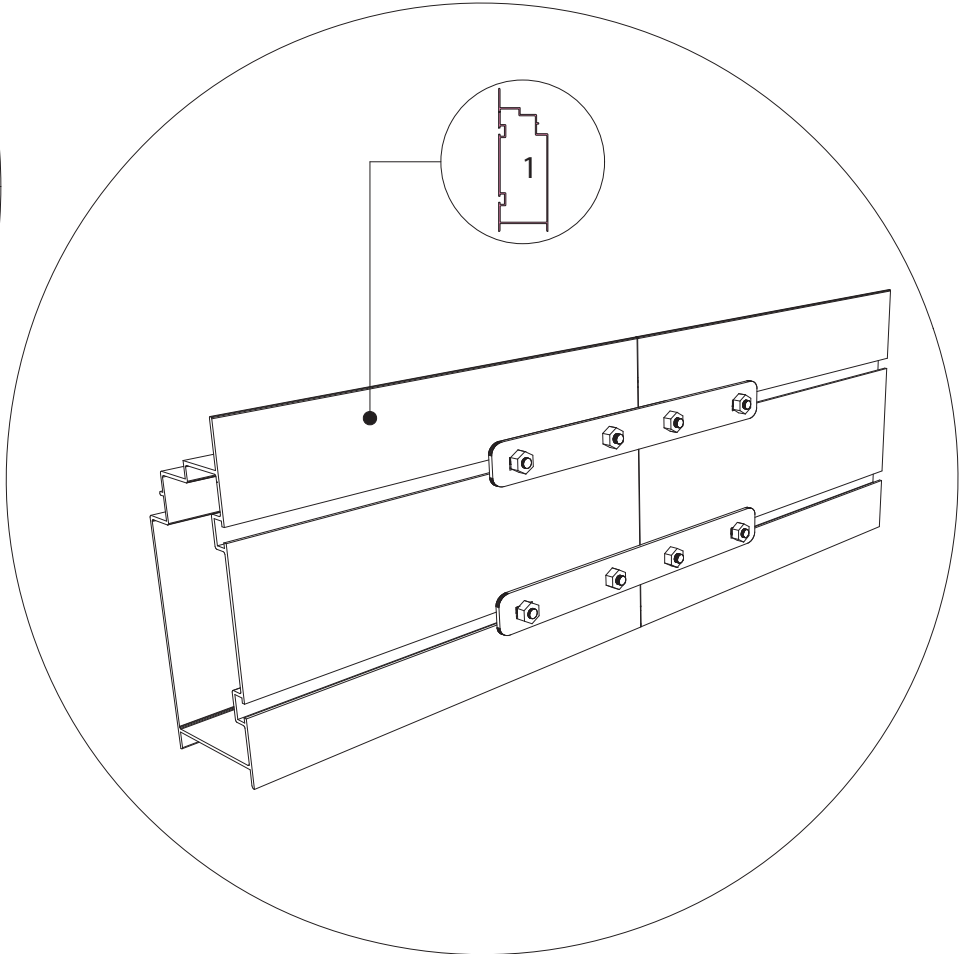
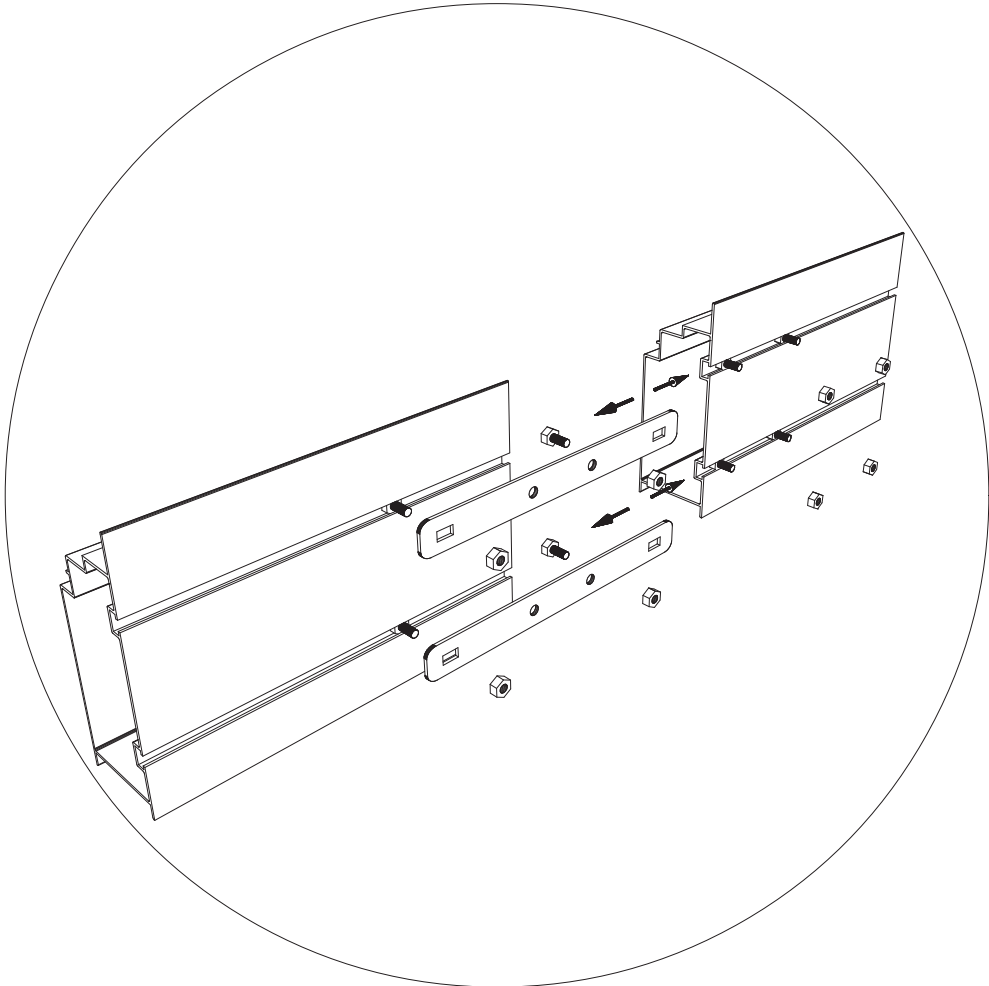


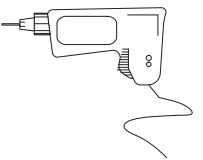
Profile List

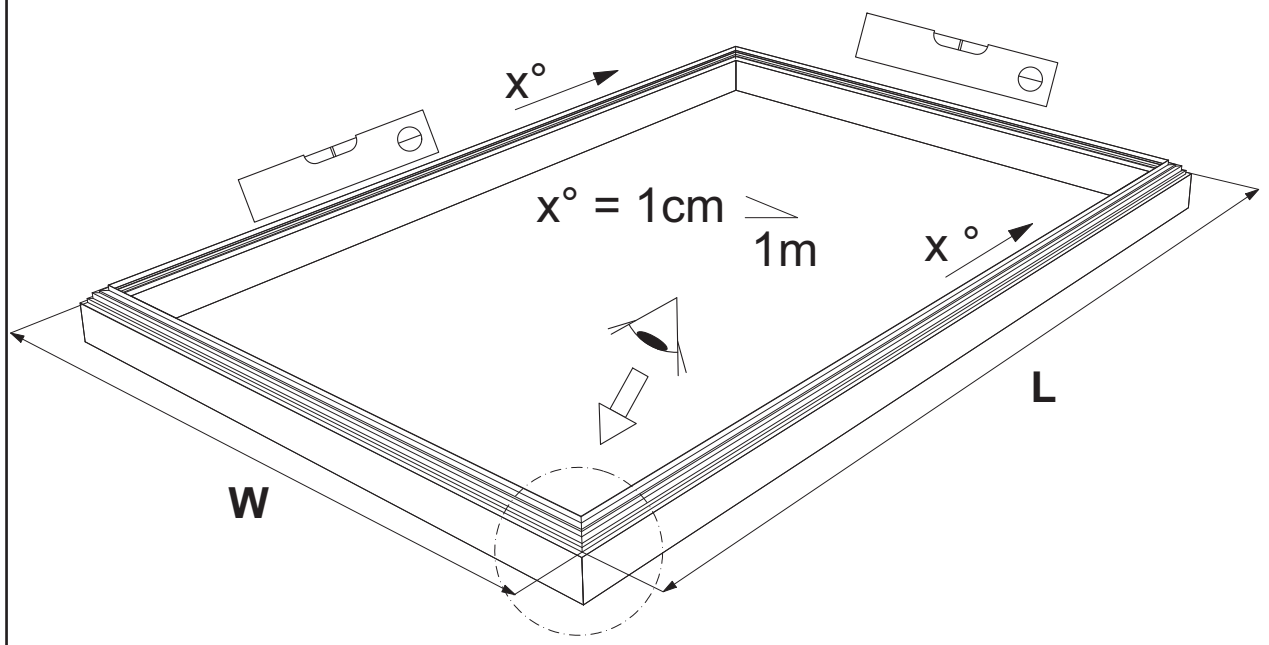
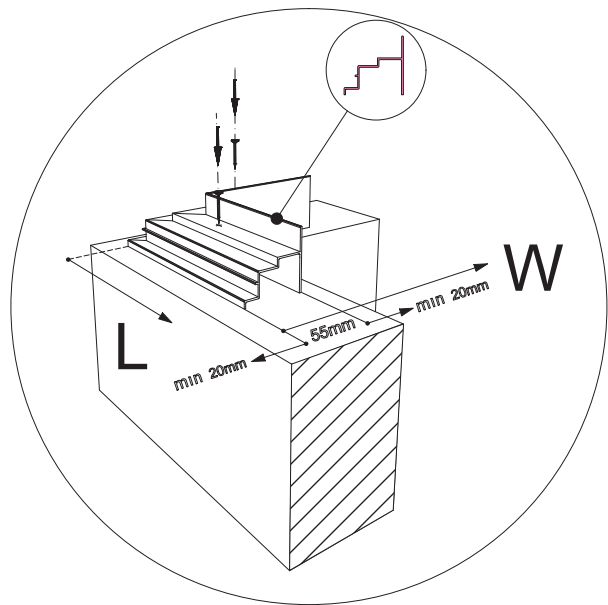
| | NR | Profile NR | | NR | Profile NR | | NR | Profile NR | | NR | Profile NR |
|---|----|------------|---|----|------------|---|-----|------------|---|----|------------|
|  | 7 | 7151 |  | 17 | L 40/40/2 |  | 1A | 17552 |  | 9 | L15/15/2 |
|  | 2 | 11788 |  | 25 | 17666 |  | 12 | 7070 |  | 21 | 29577 |
|  | 8 | 7633 |  | 27 | B 18 |  | 18 | 17542 | | | |
|  | 5 | 17548 |  | 4 | 17549 |  | 19 | 17543 | | | |
|  | 6 | 9915 |  | 10 | 17541 |  | 20T | 28513 | | | |

- Attention! Check inside the foundation for more profiles .
- Achtung! Prüfen sie das fundament für weitere profile .
- Opgelet! Kijk in de fundering voor andere profielen .
- Attention! Regarde à l'intérieur du fondation pour plussiers profils .
- Observera att en del profiler ligger i sockelprofilen !!

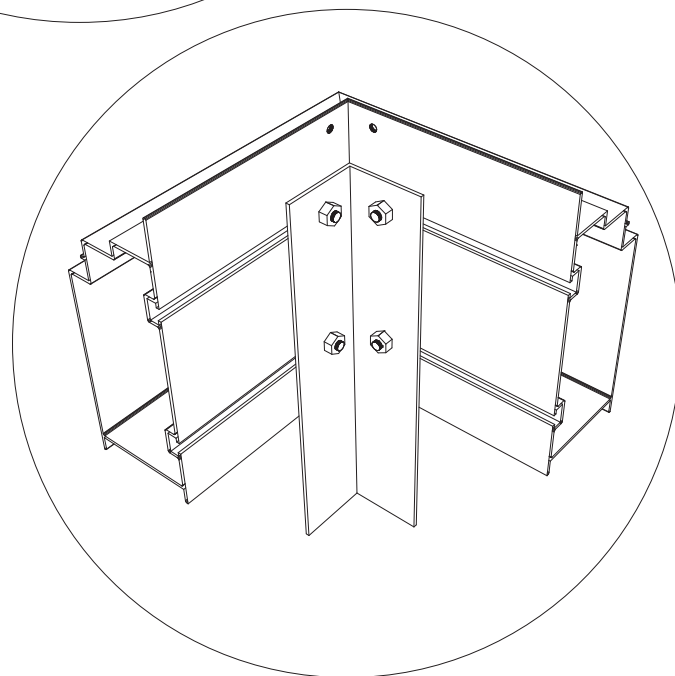
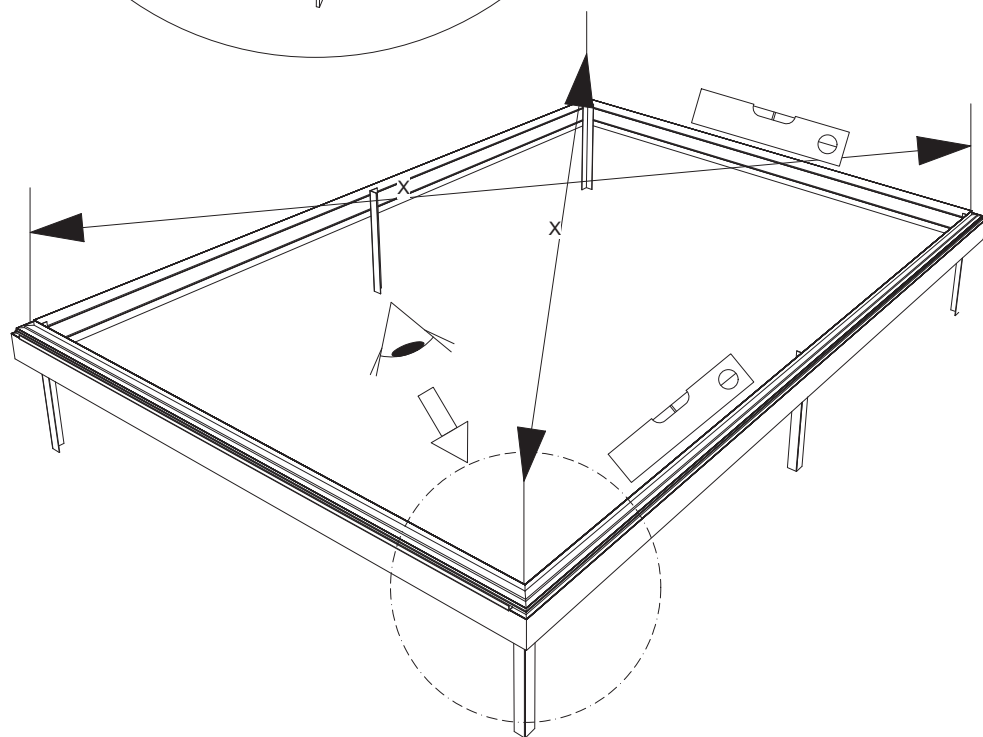
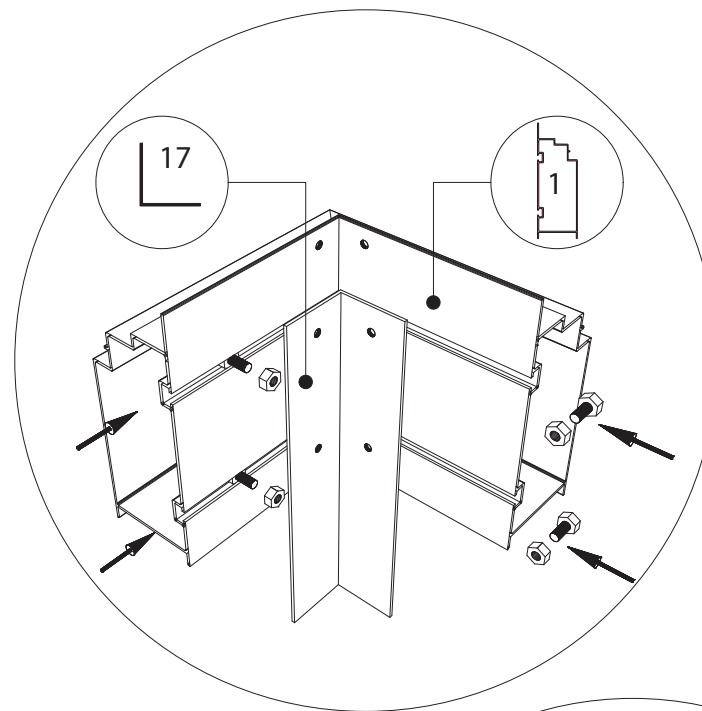
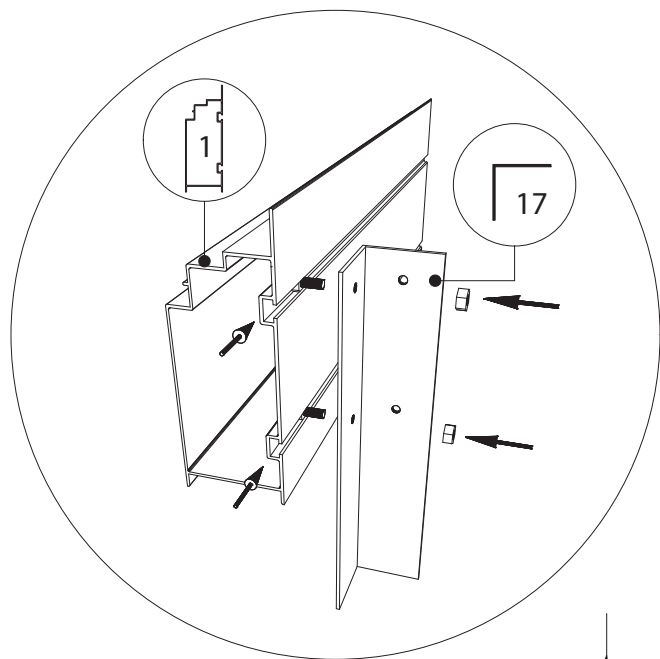
EURO-MAXI SPECIAL > 6,04 M

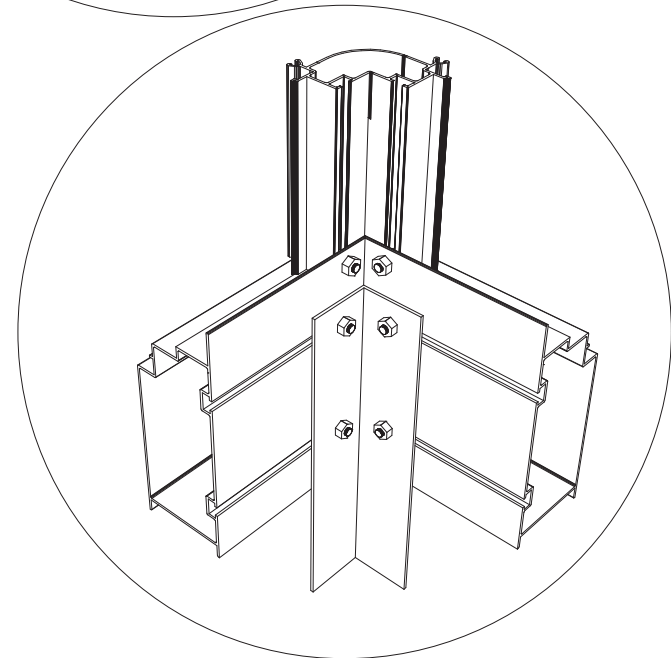
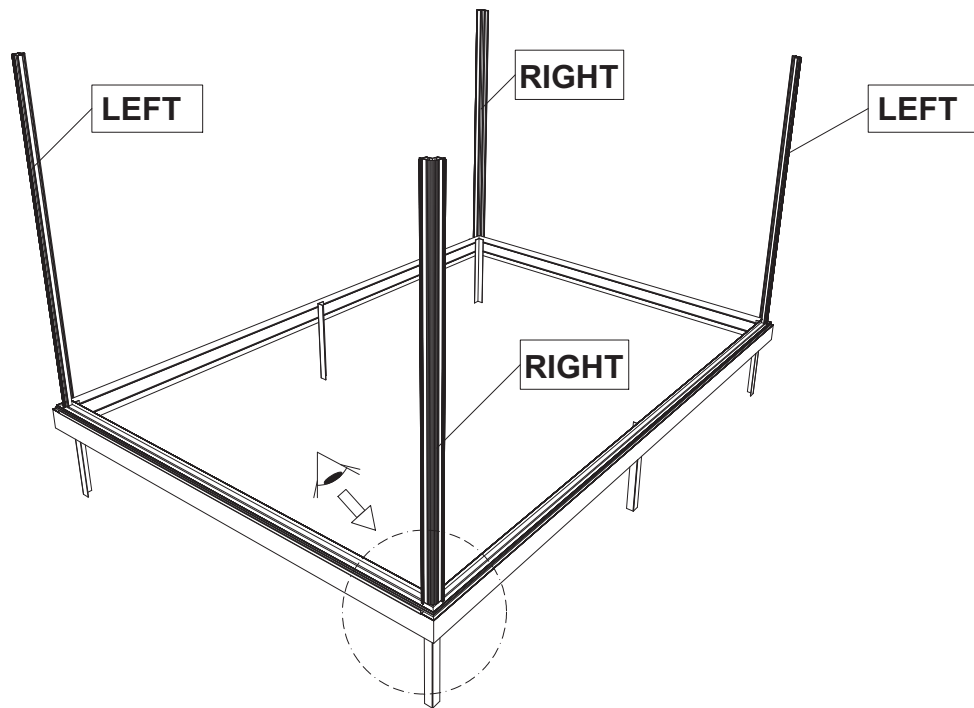
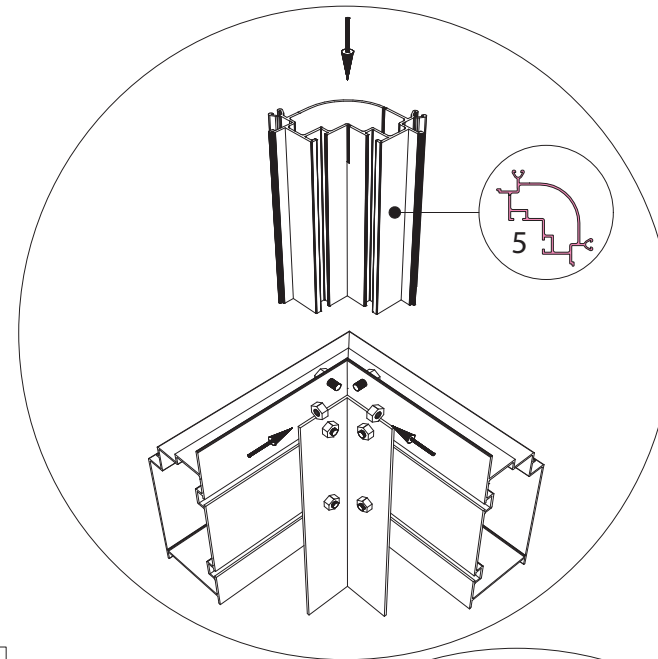
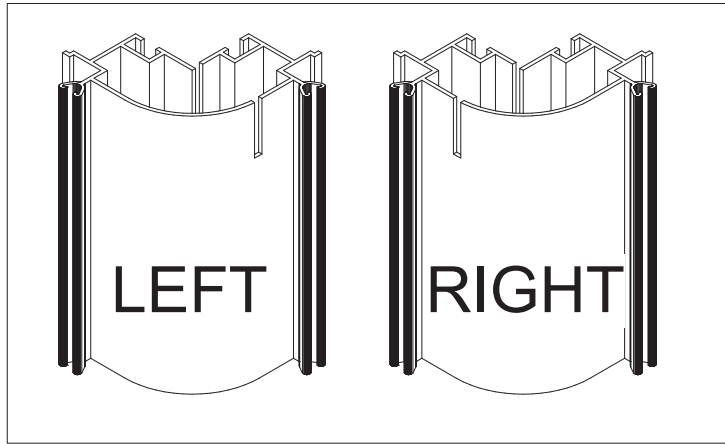


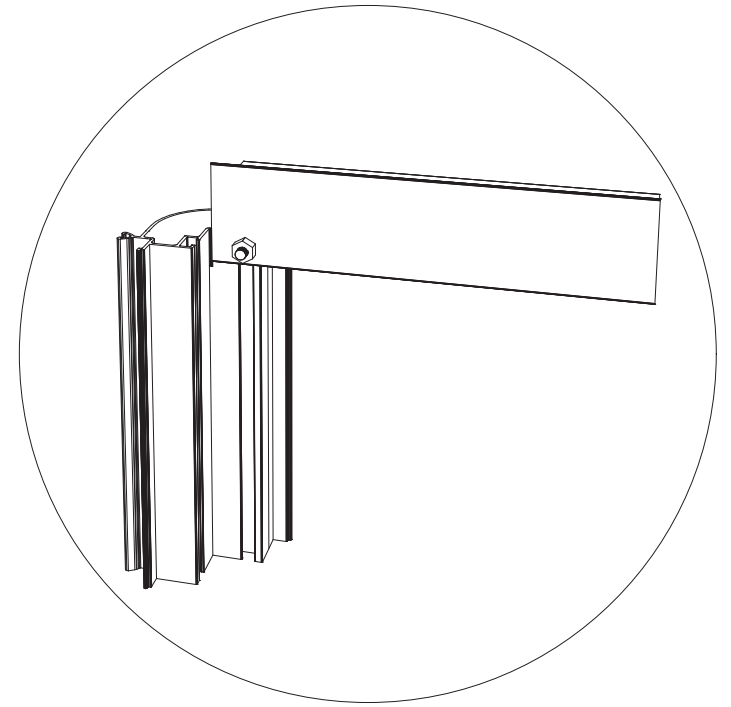
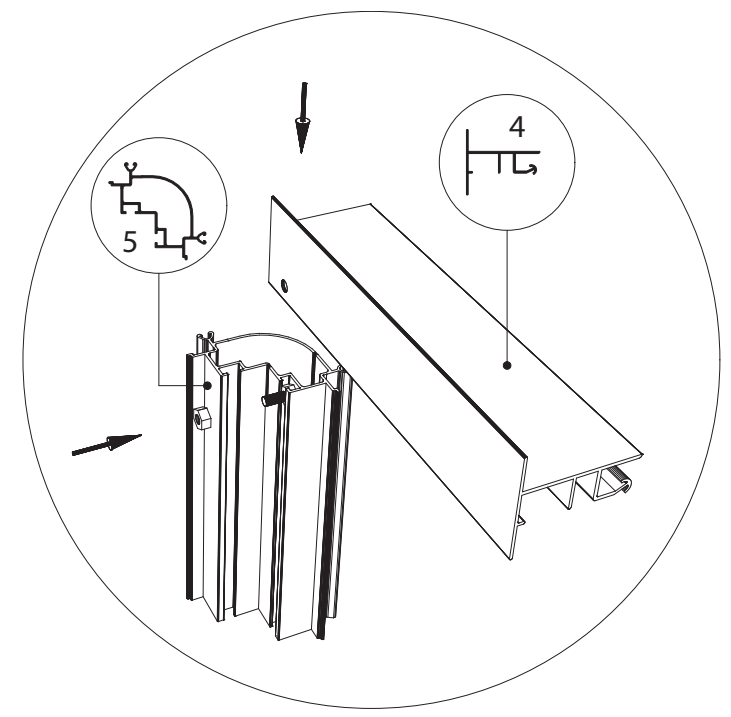
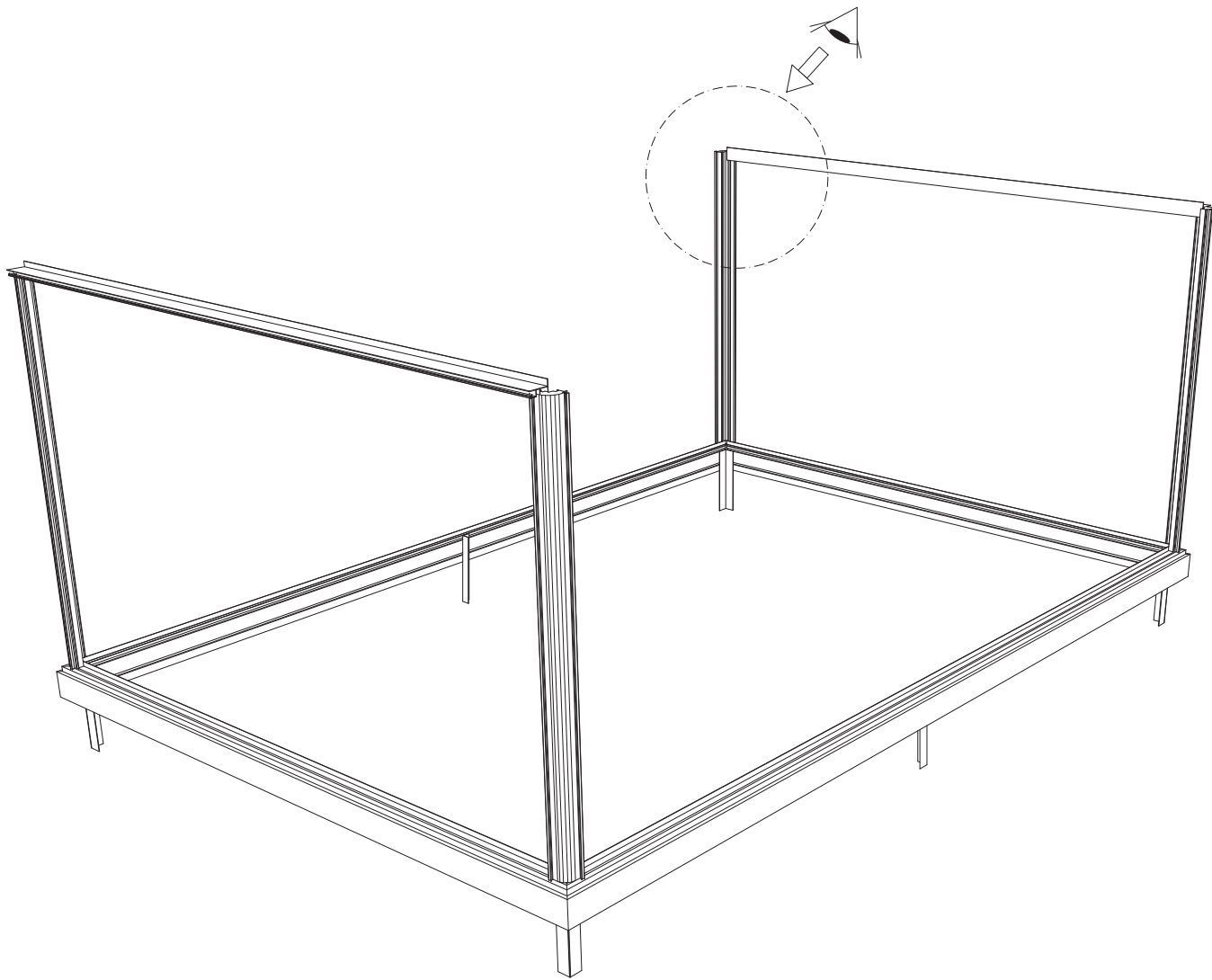
∅ = 8mm 



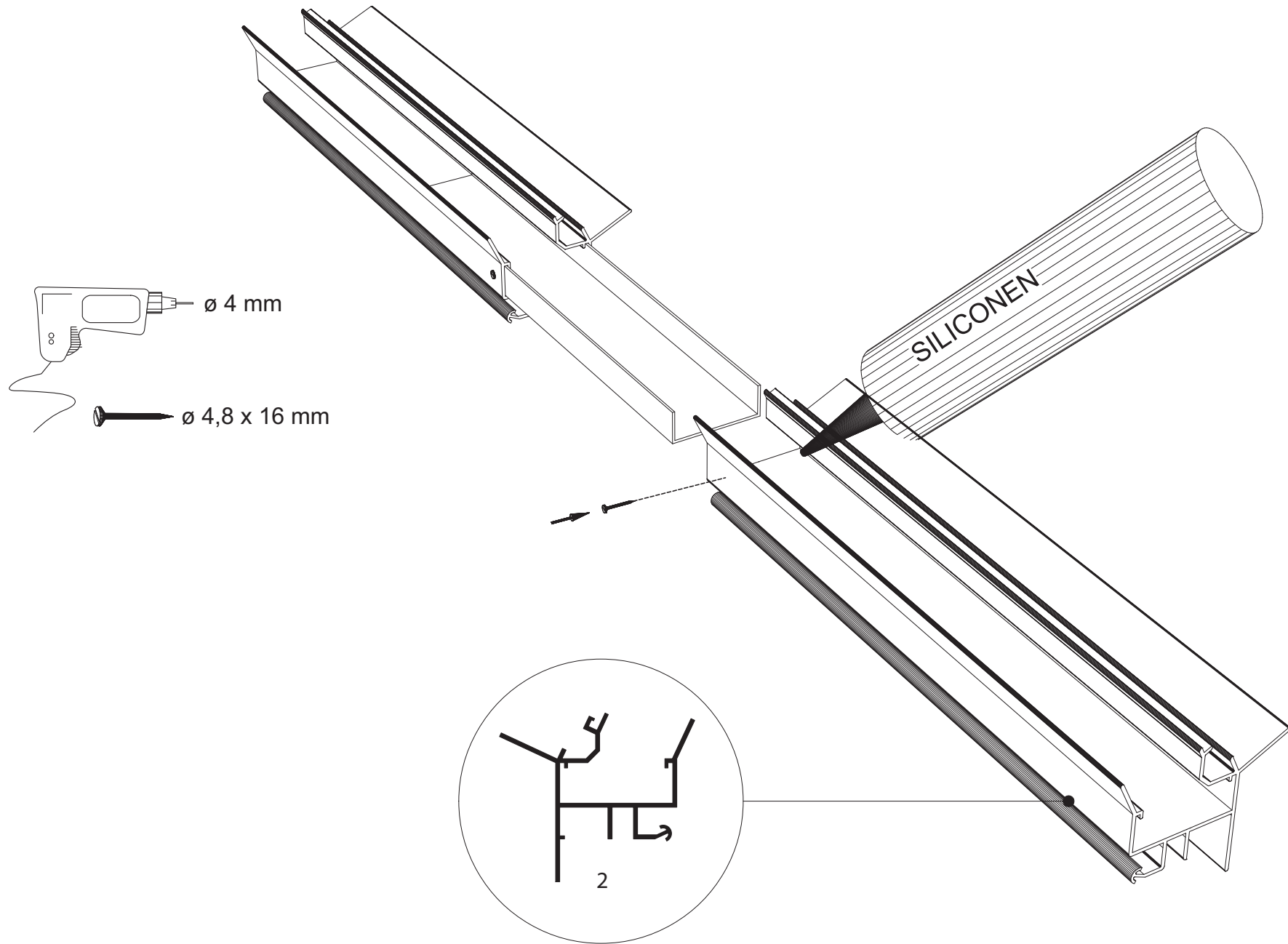
| W | L |
|------|------|
| 3083 | 2346 |
| | 3083 |
| | 3820 |
| | 4556 |
| | 5292 |
| | 6030 |
| | 6766 |
| | 7503 |
| | 8239 |
| | 8980 |

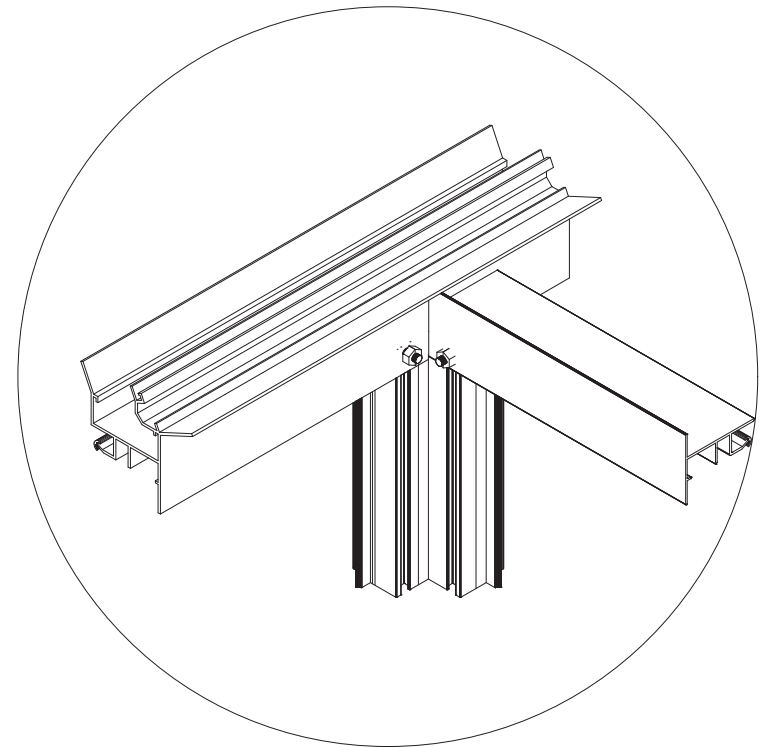
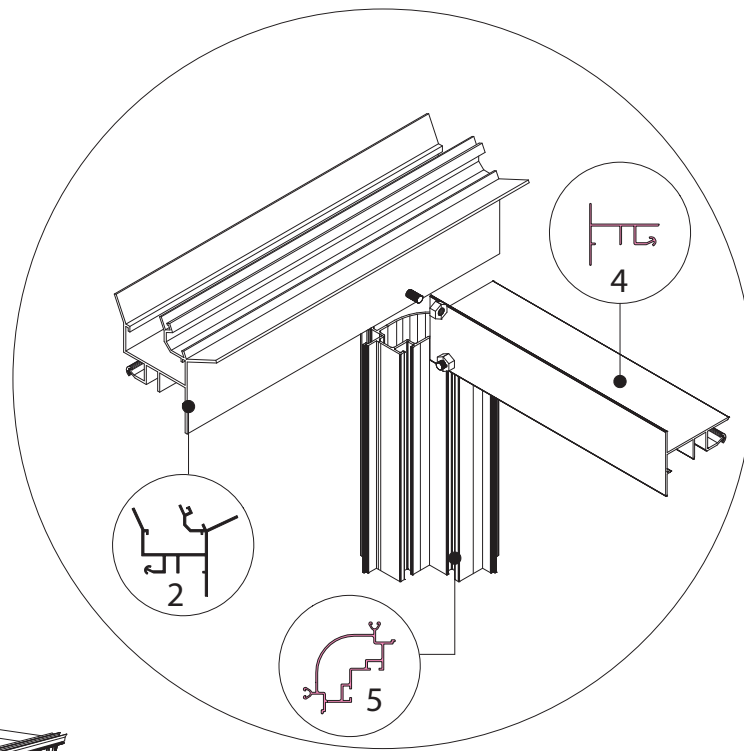
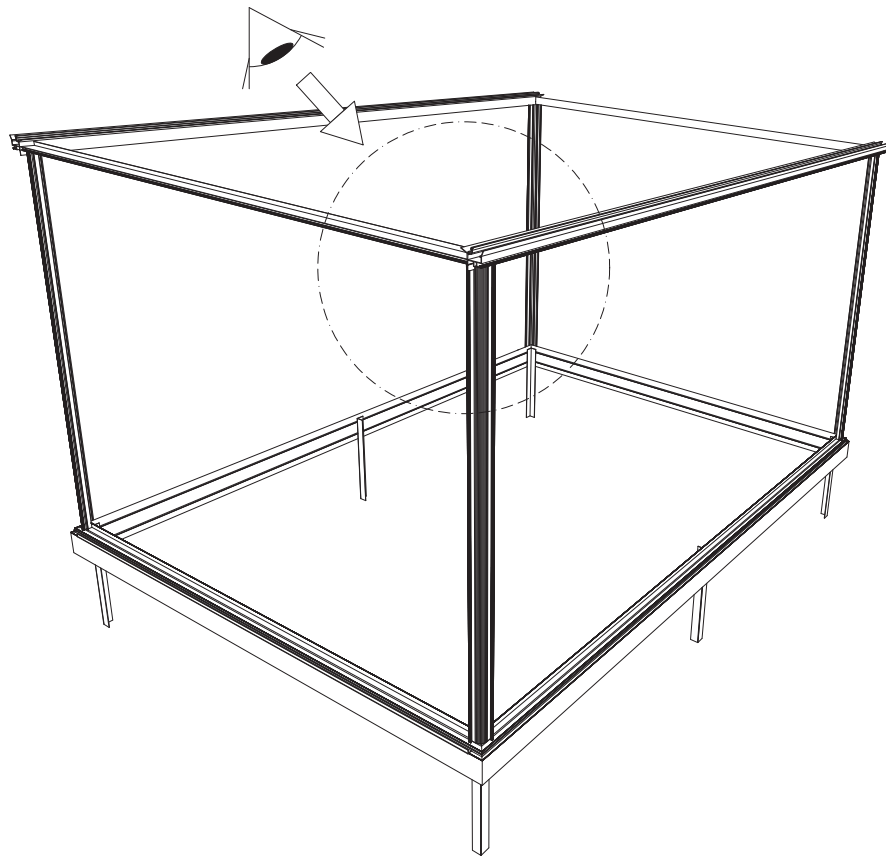


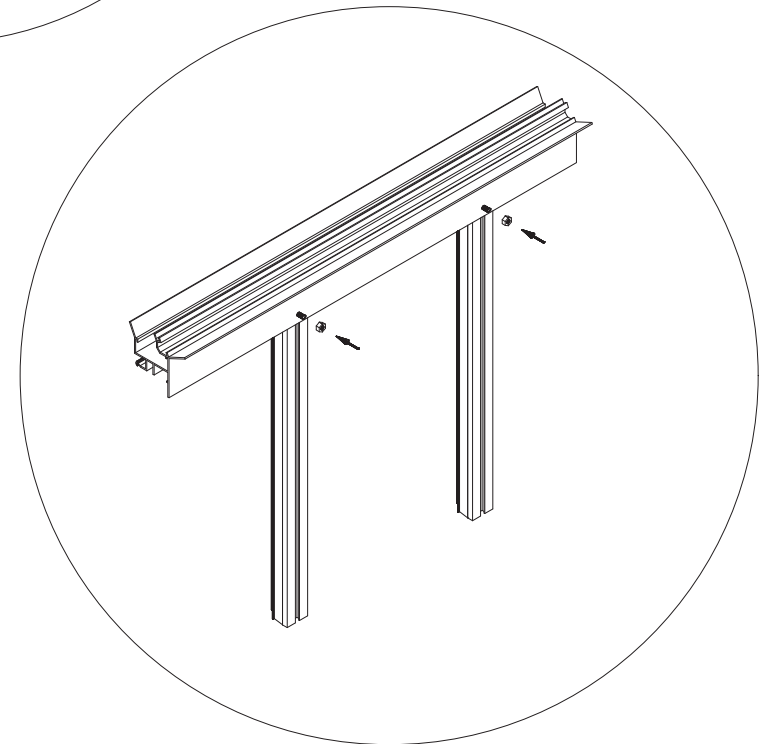
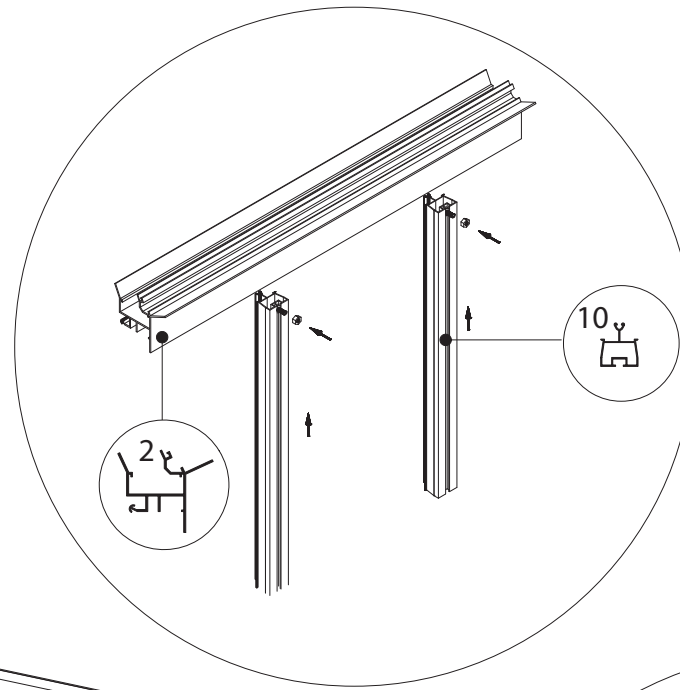
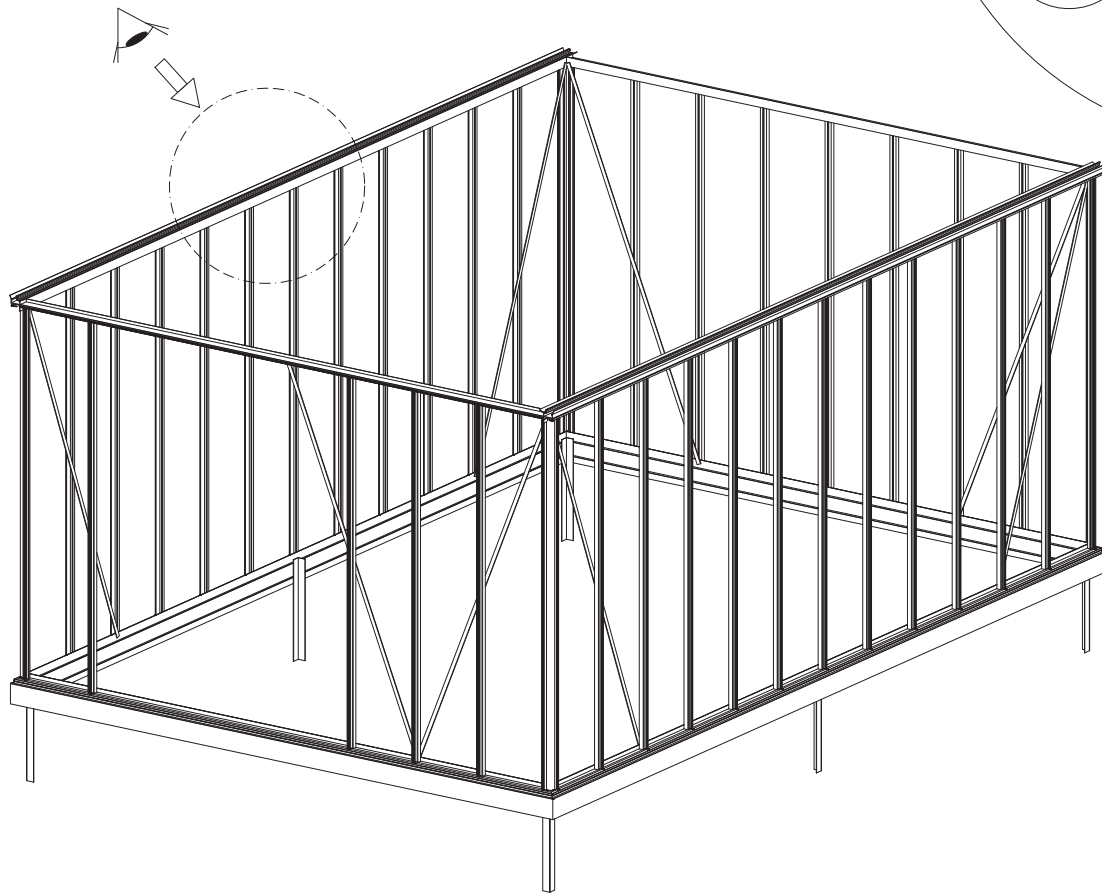


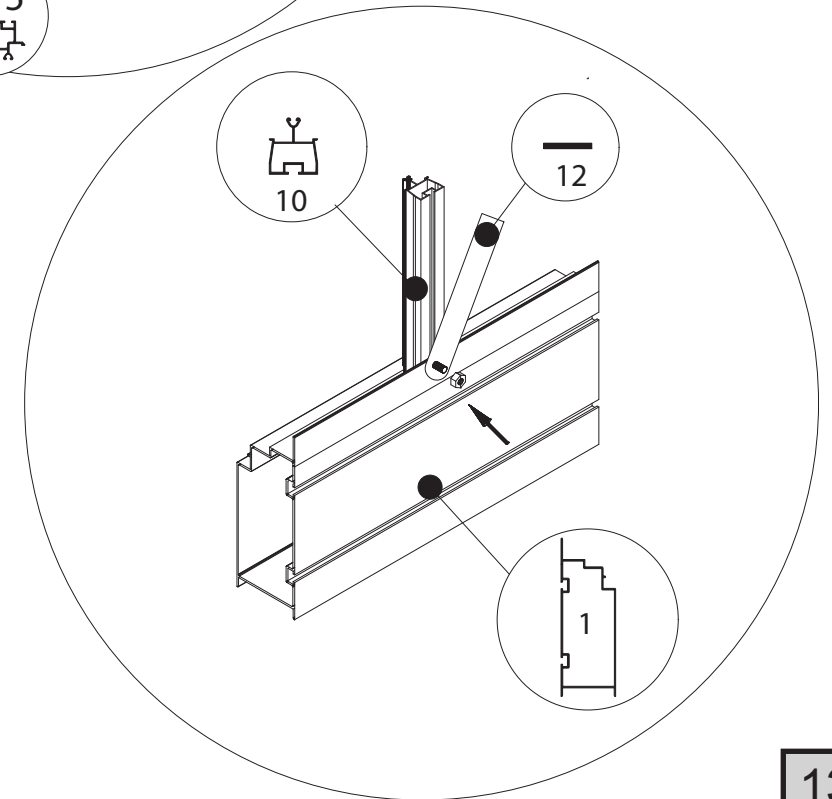
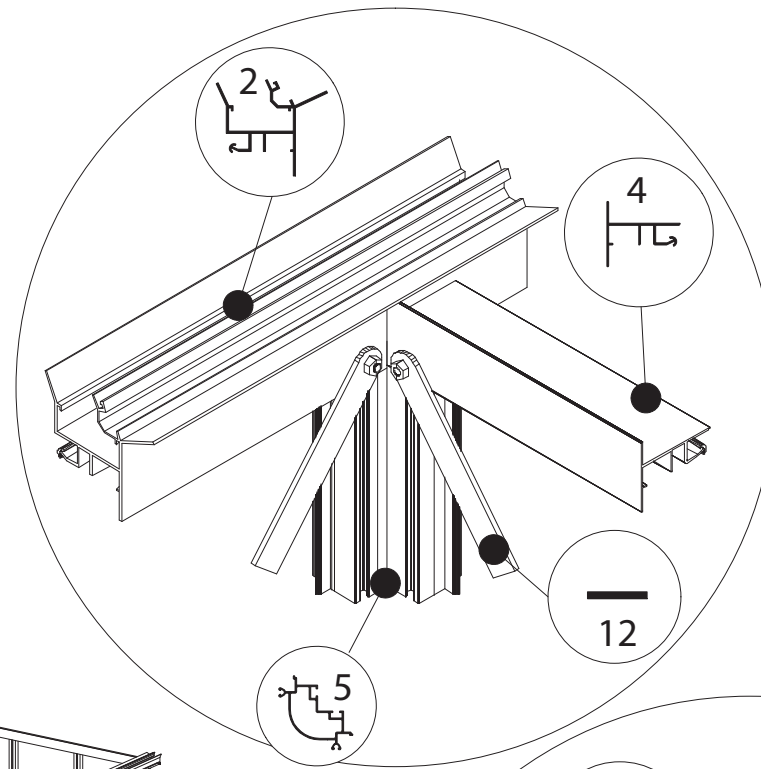
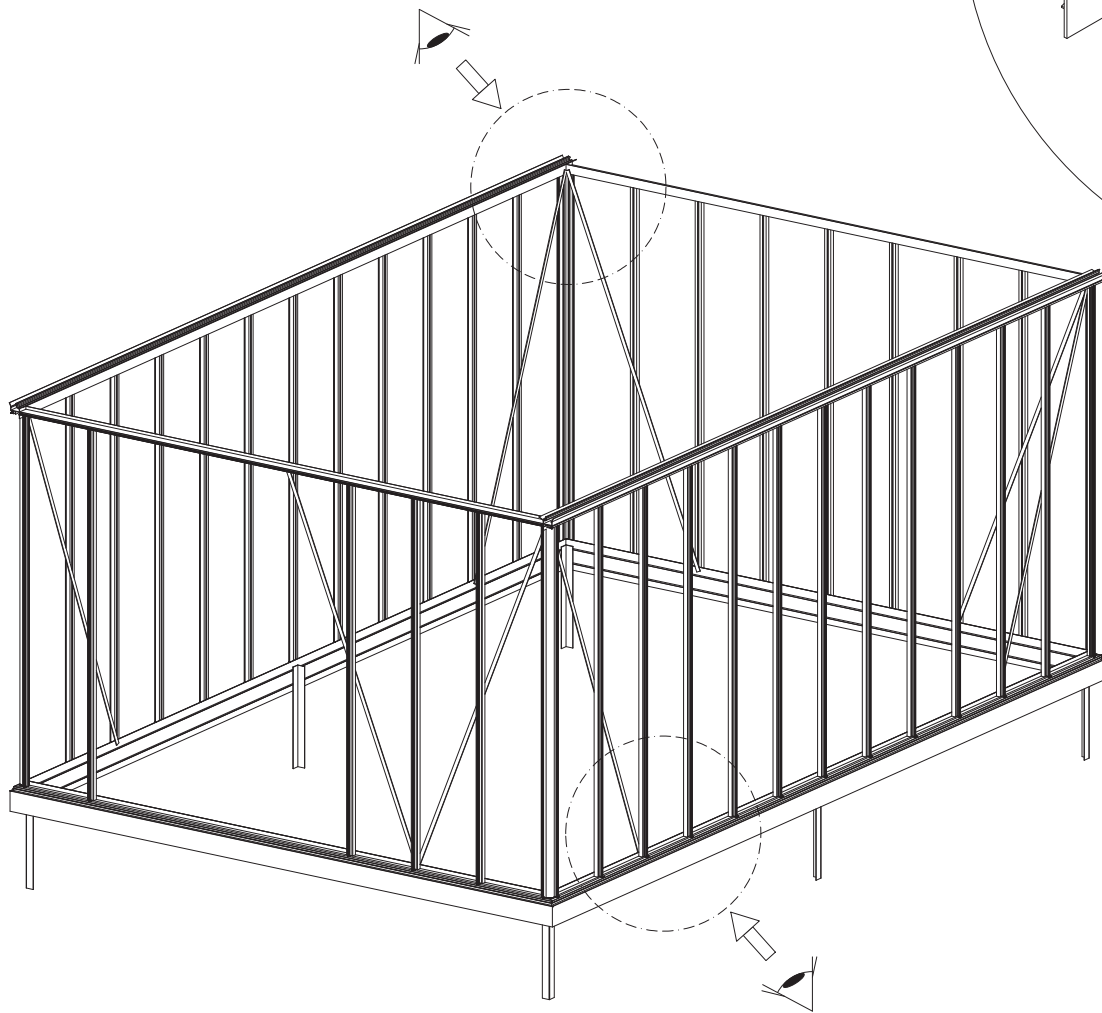


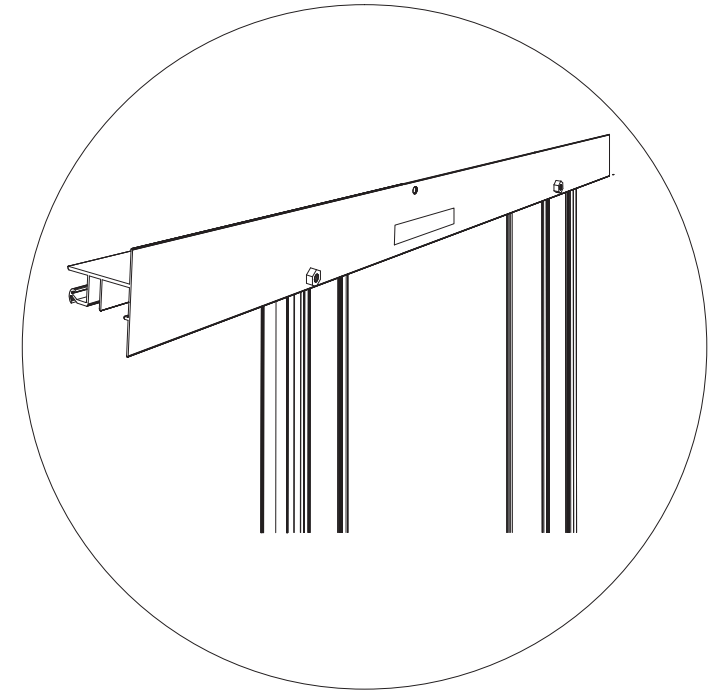
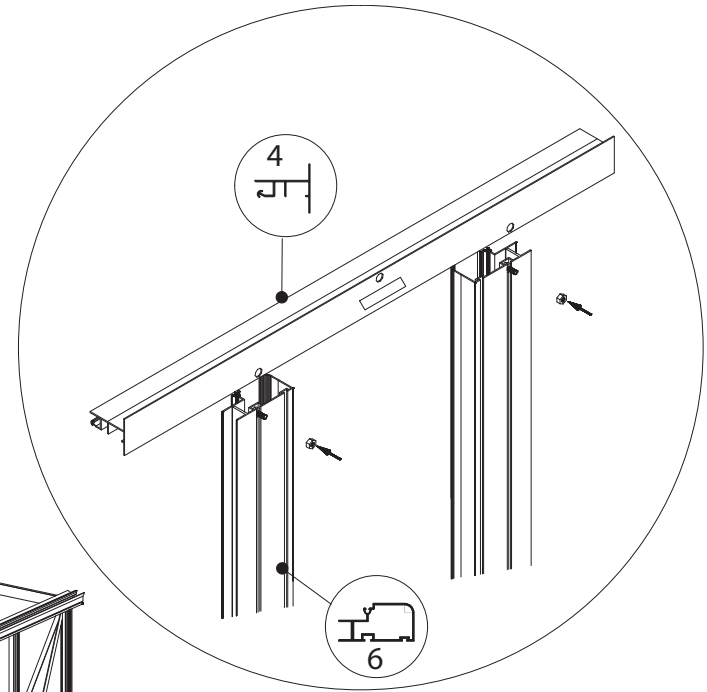
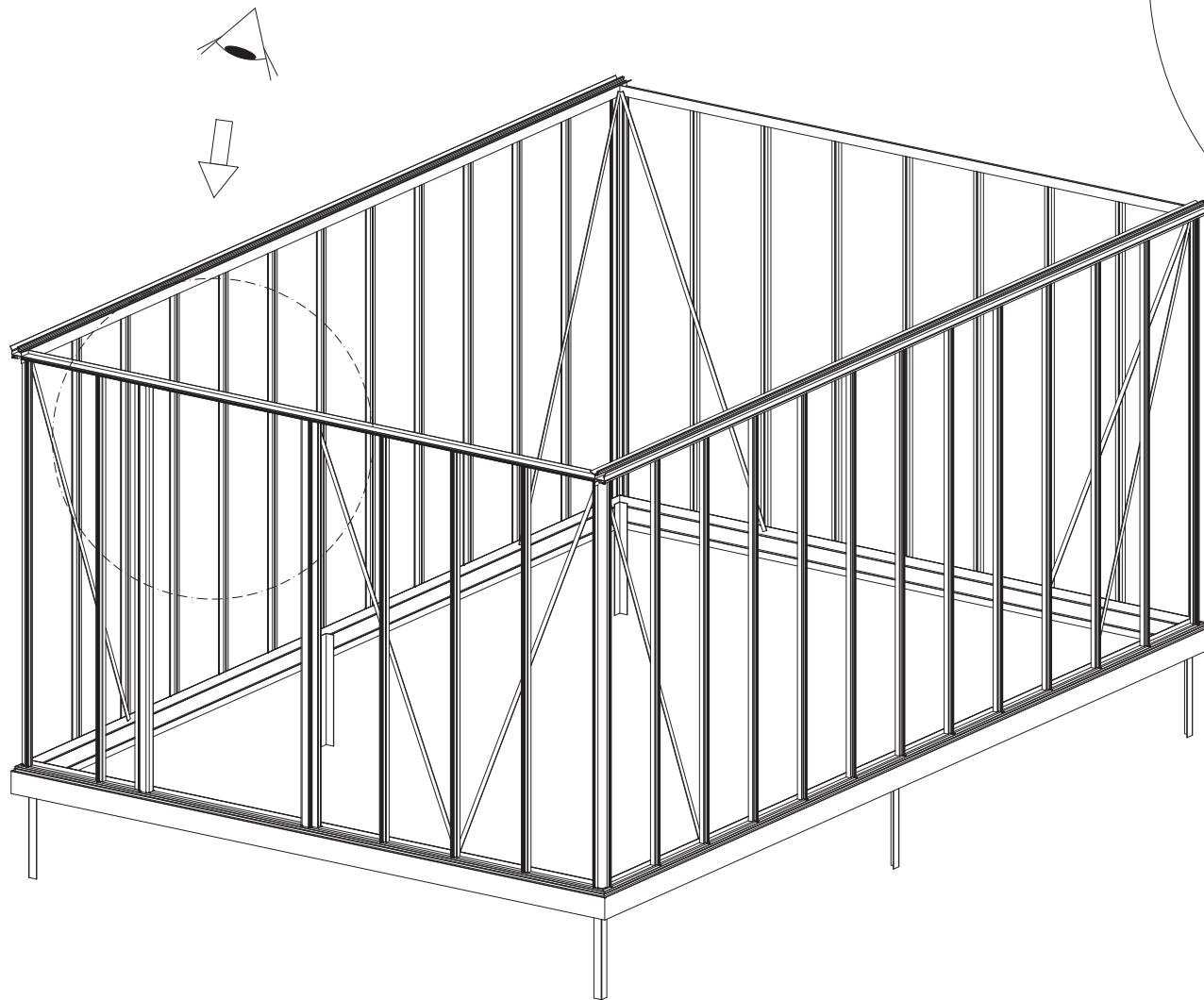
Euro-Maxi Special $\geq 6,77 + 7,53 + 8,30$

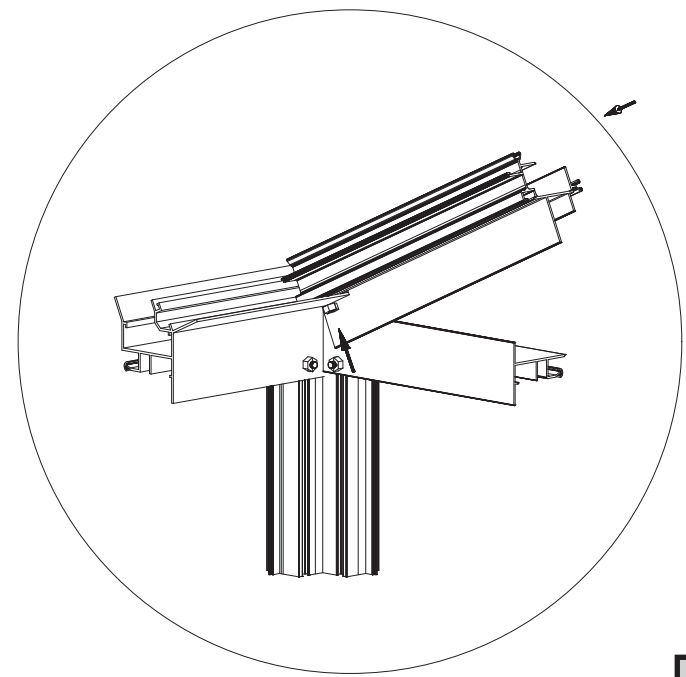
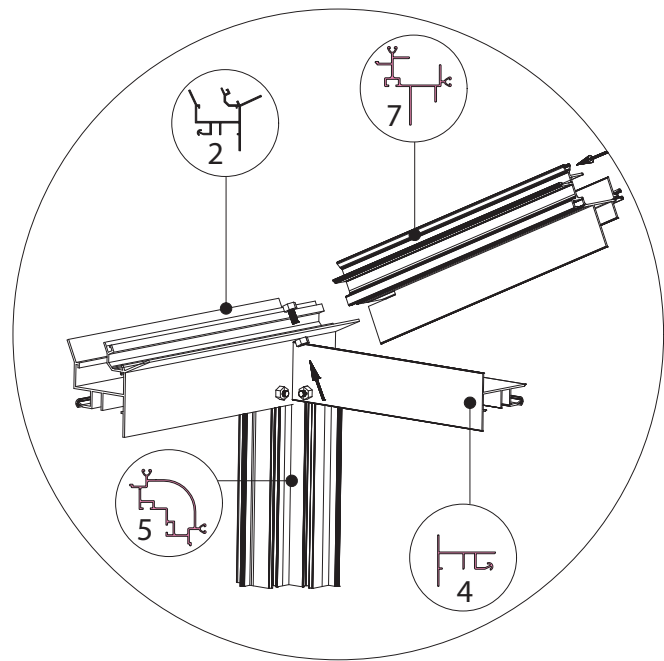
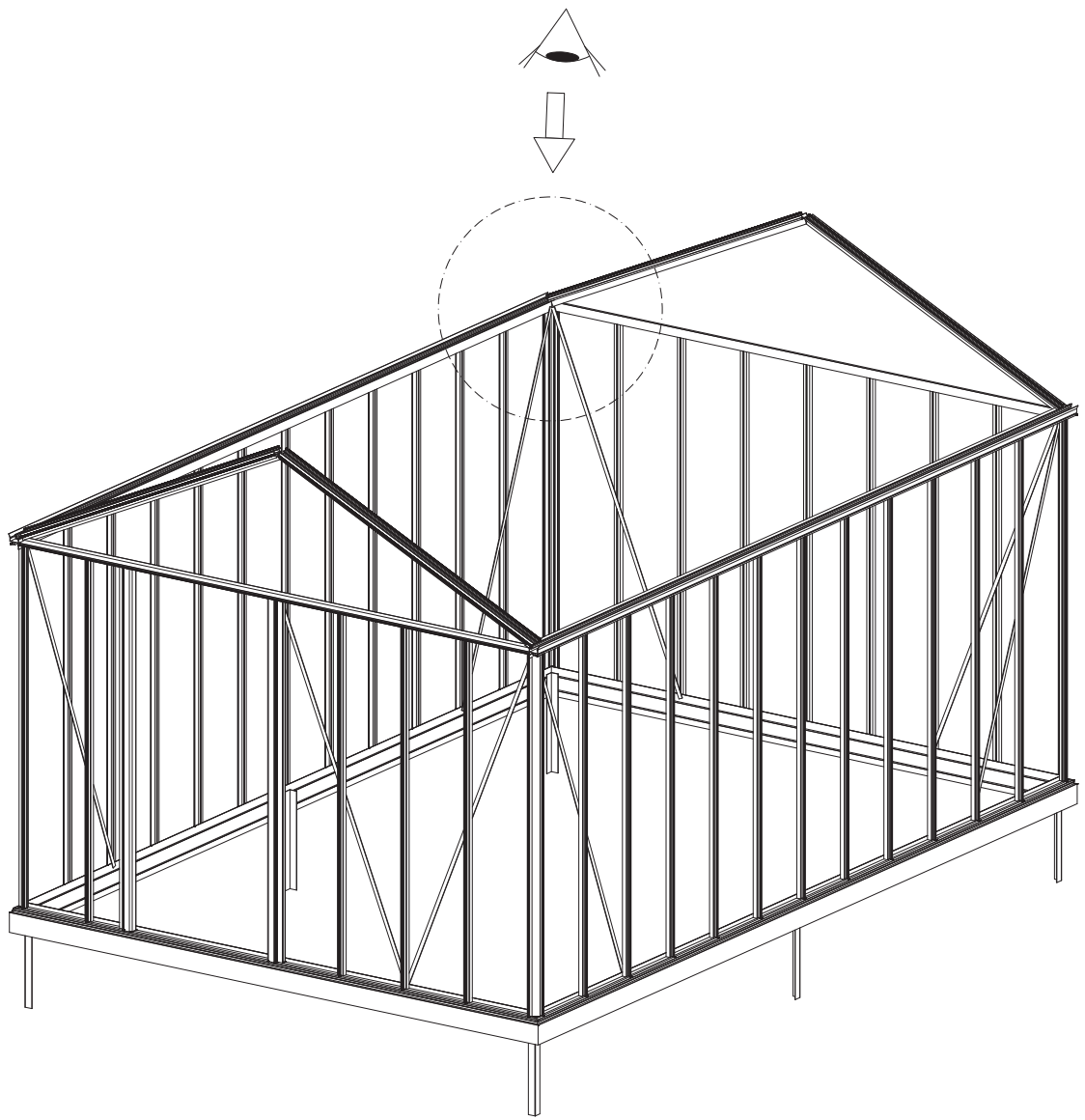




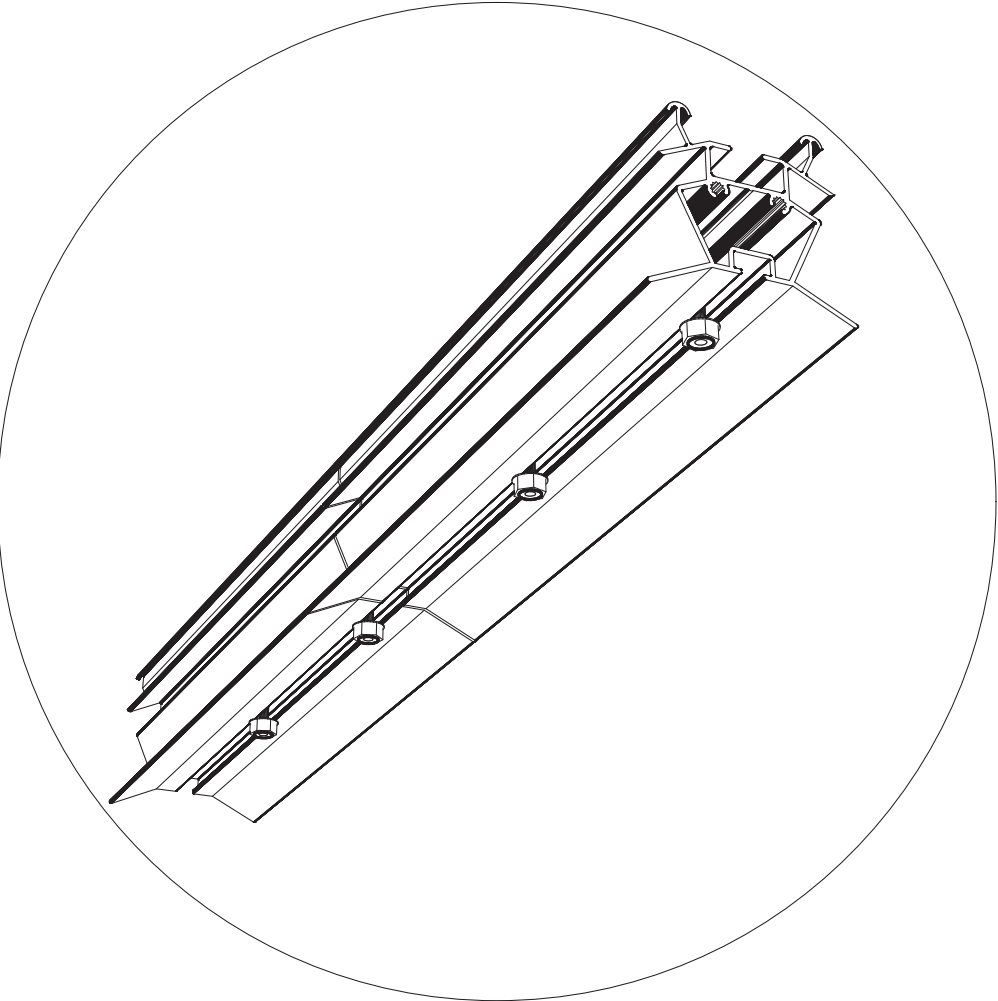
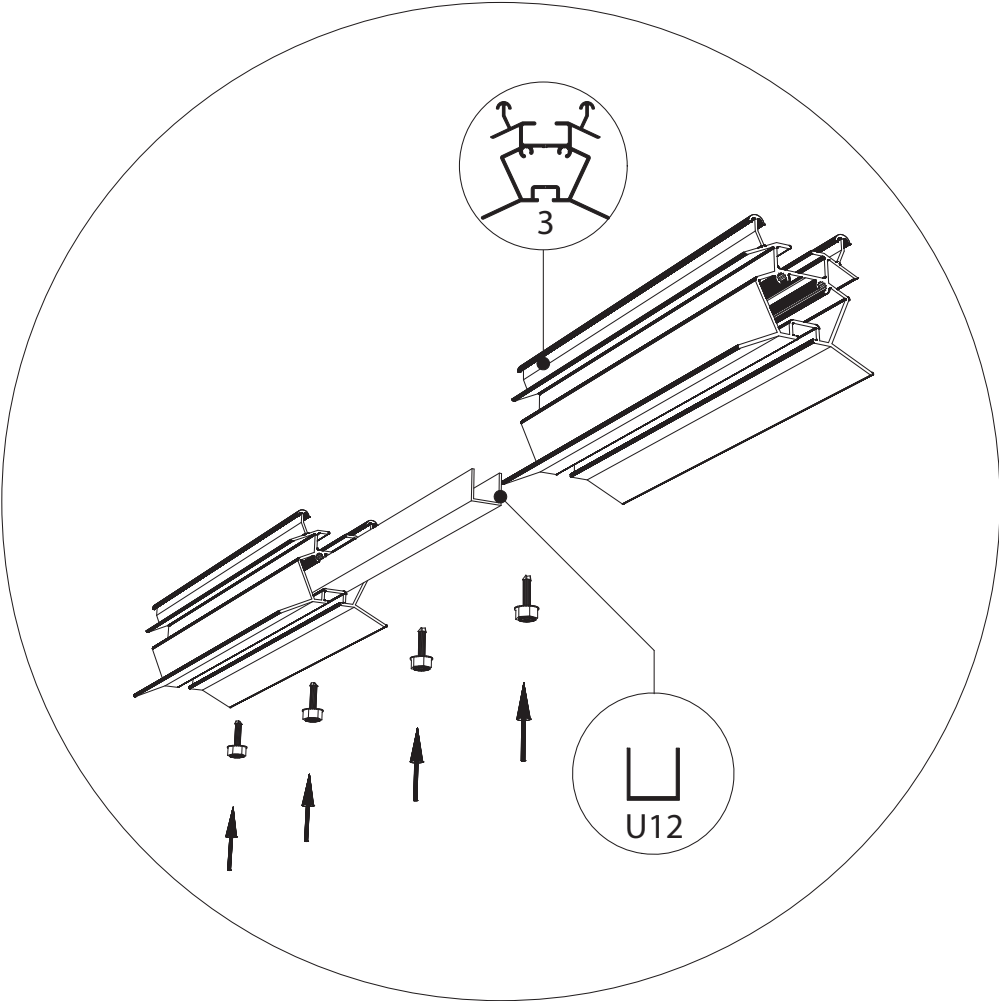


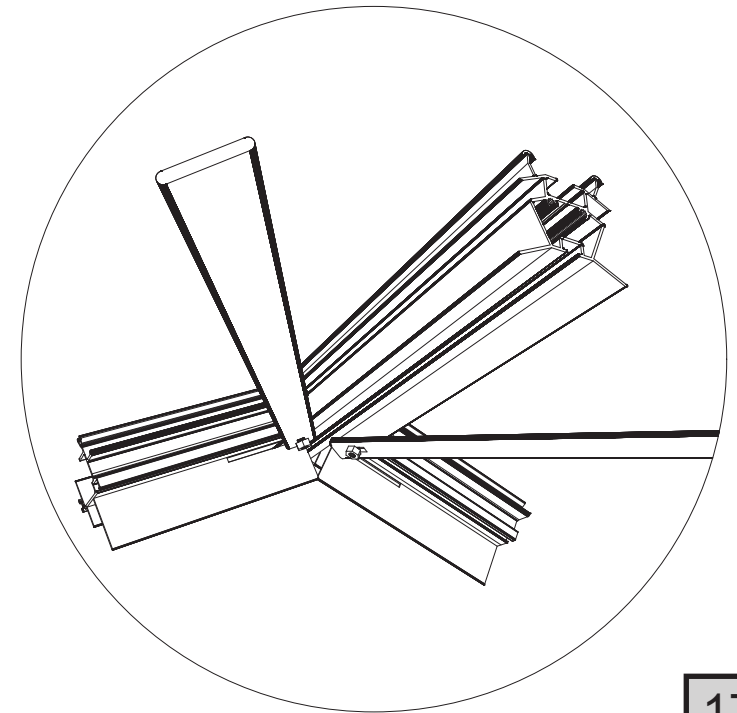
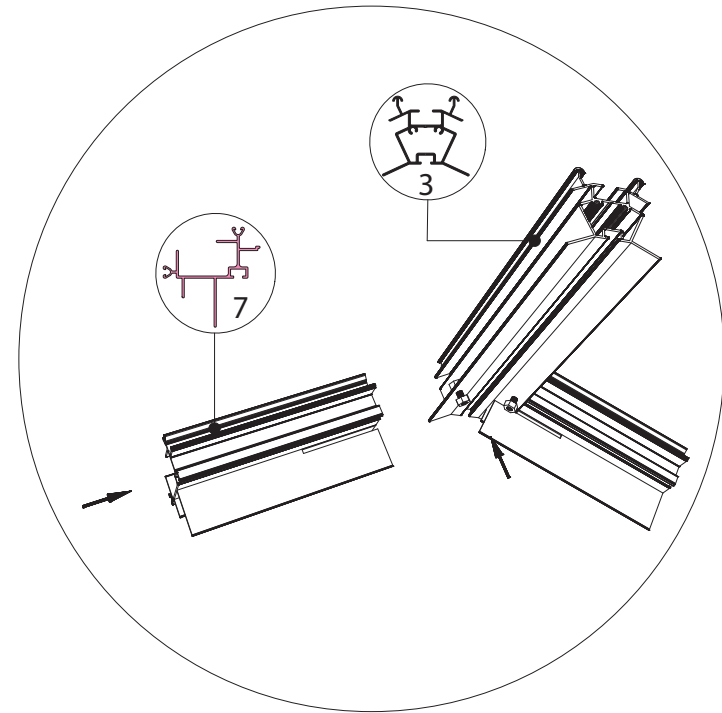
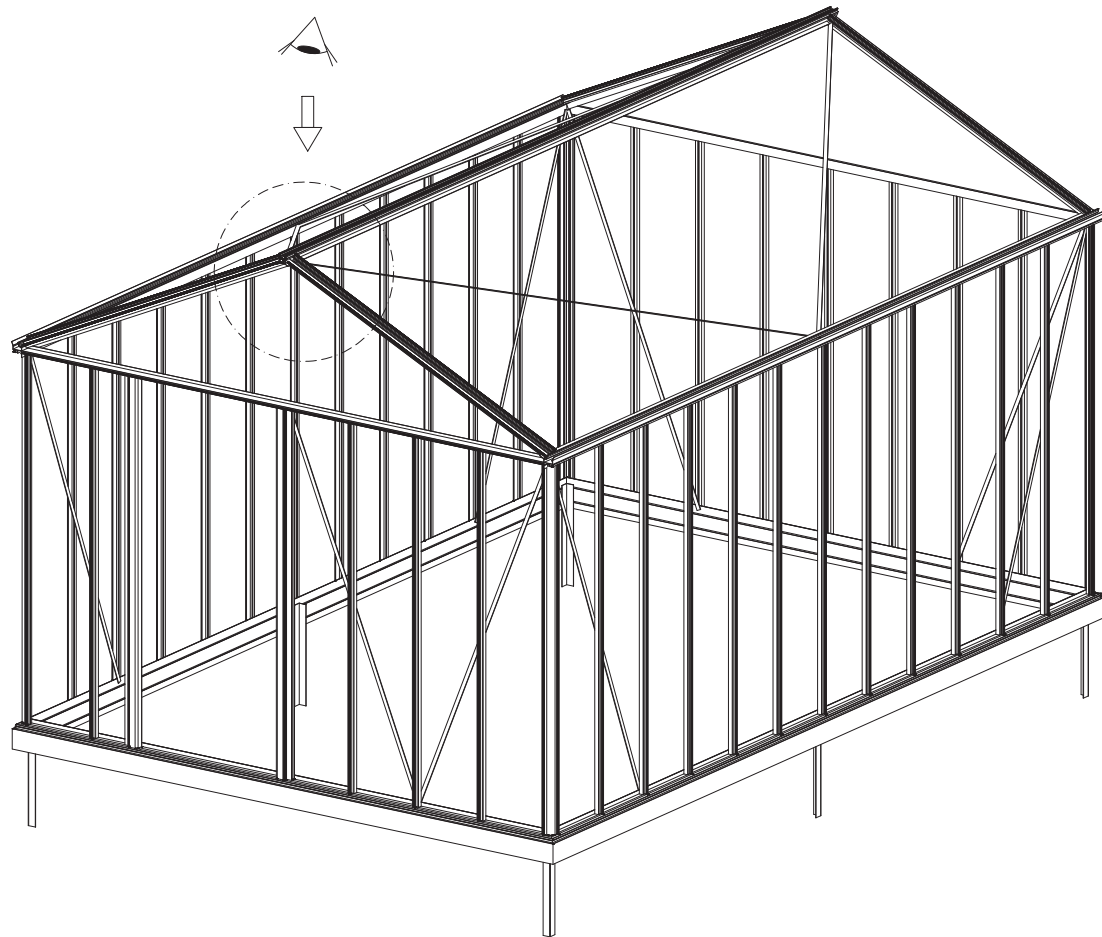
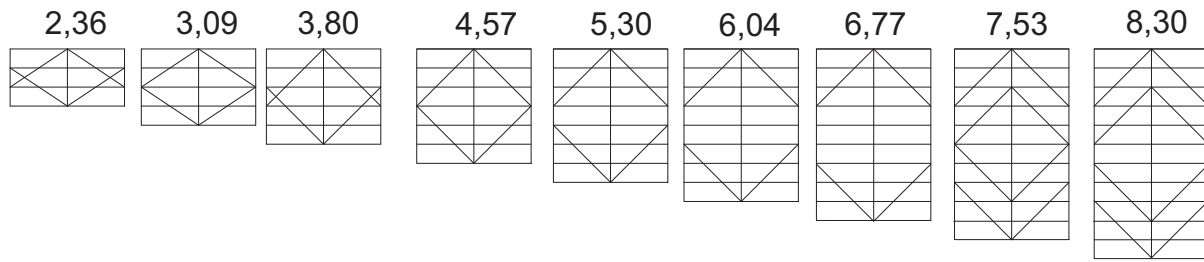


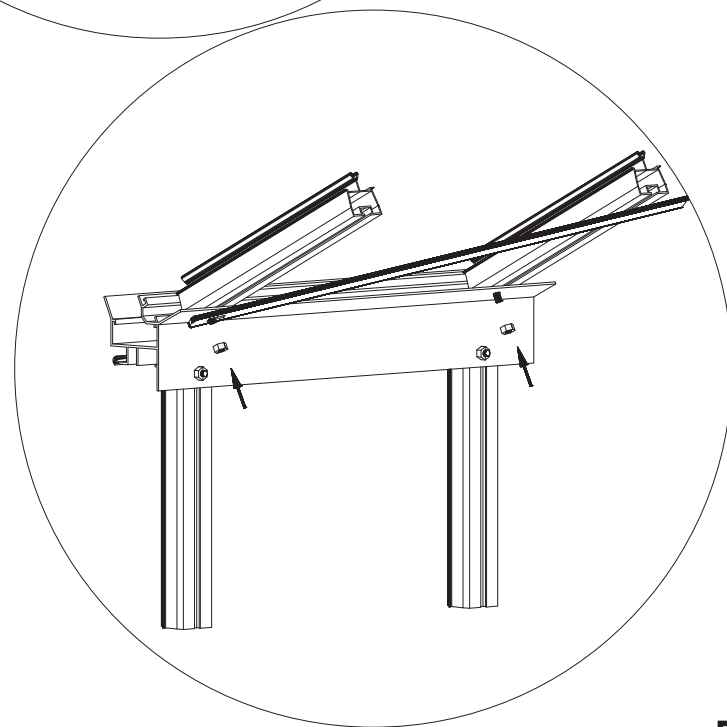
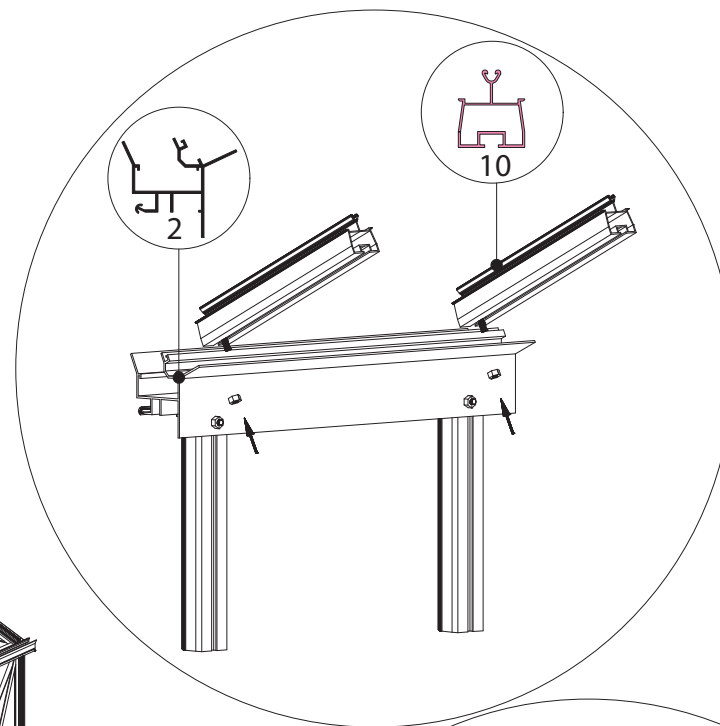
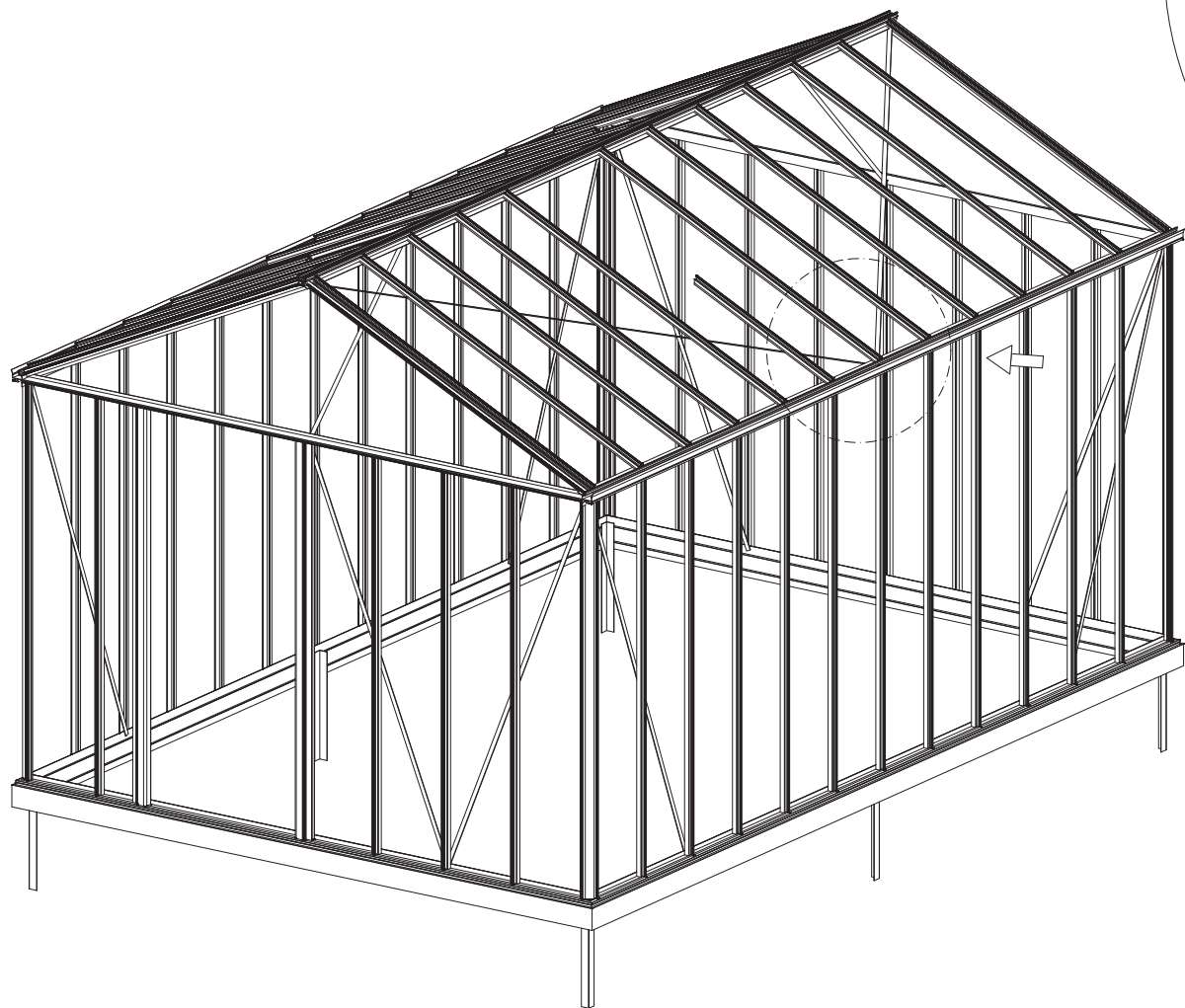


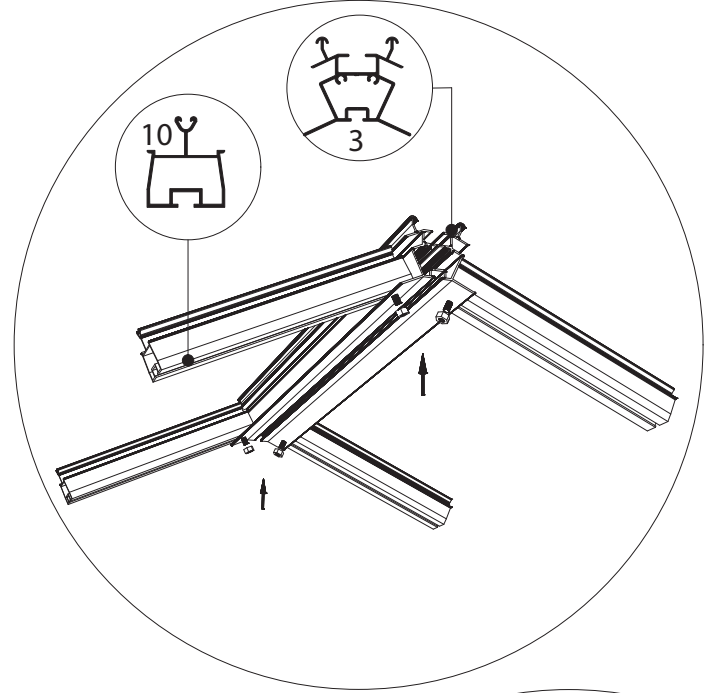
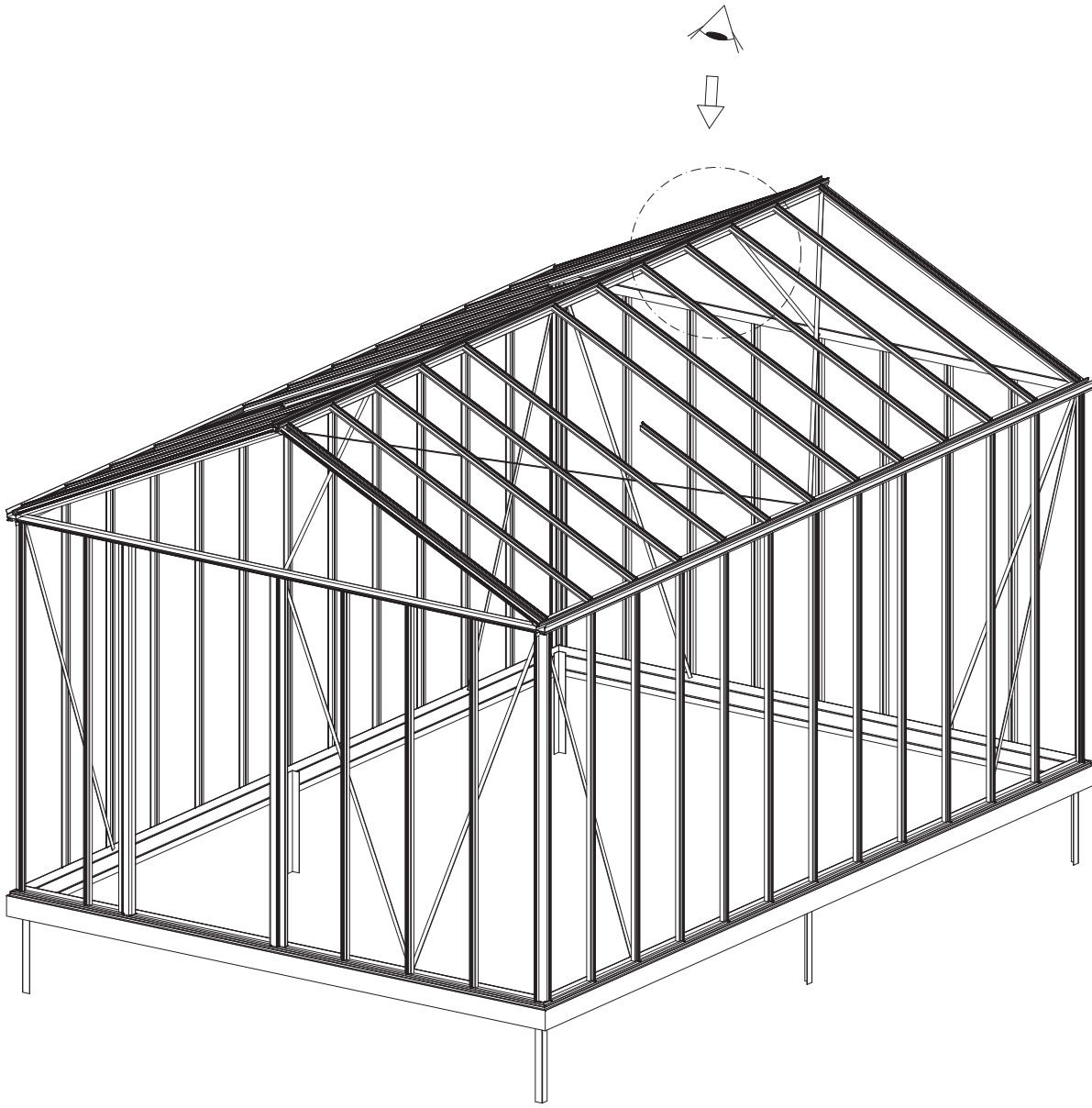


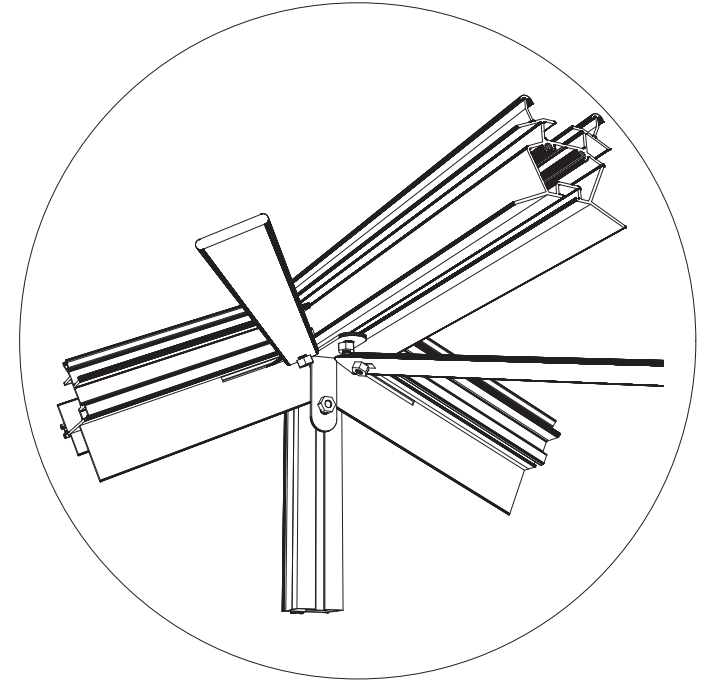
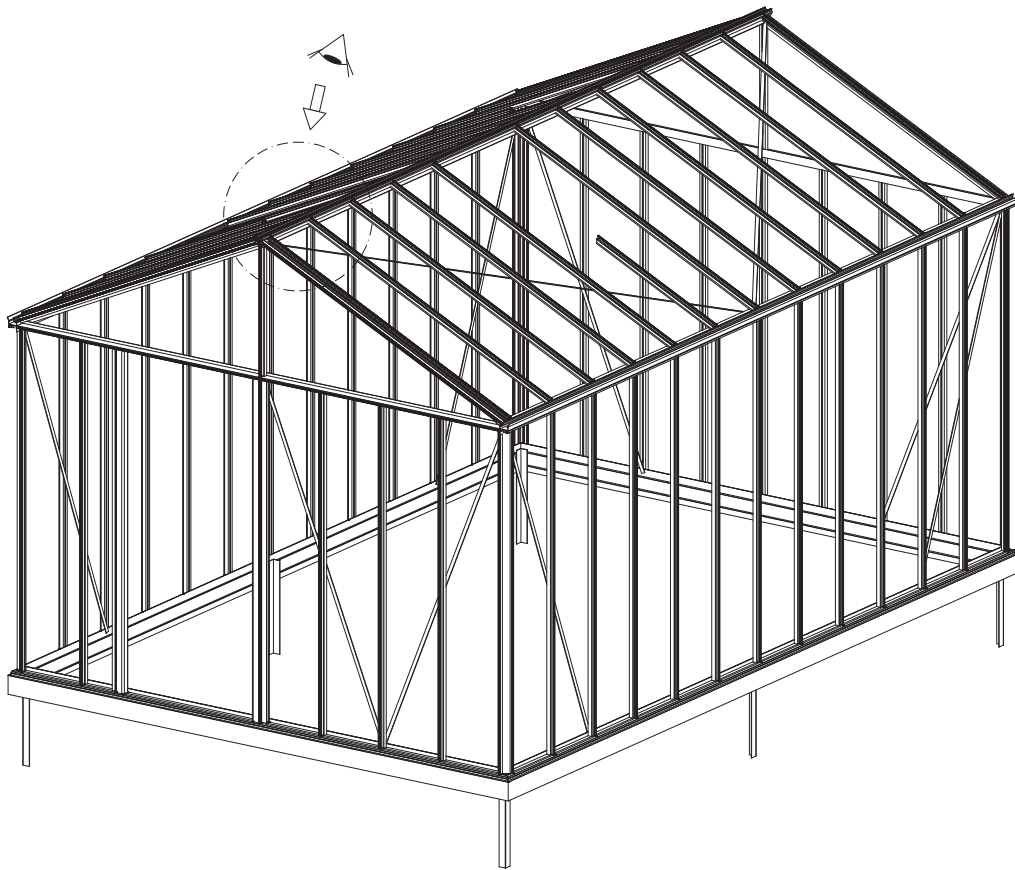
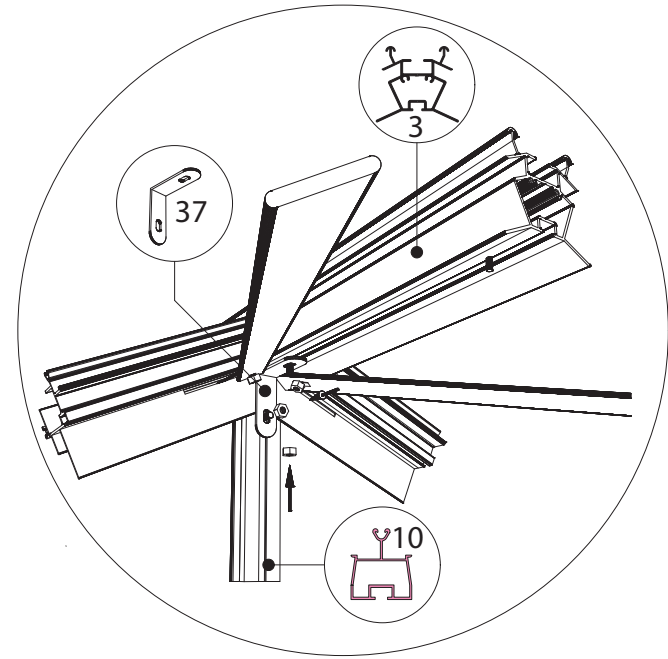
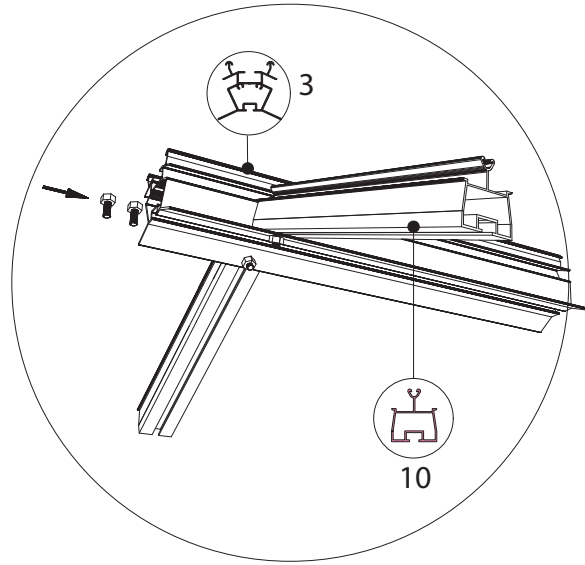
Euro-Maxi Special $\geq 6,77 + 7,53 + 8,30$

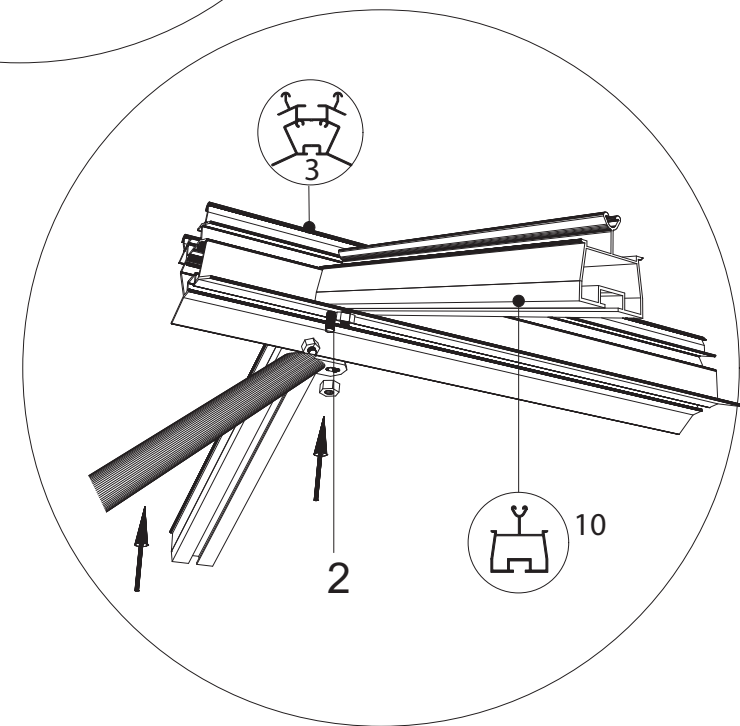
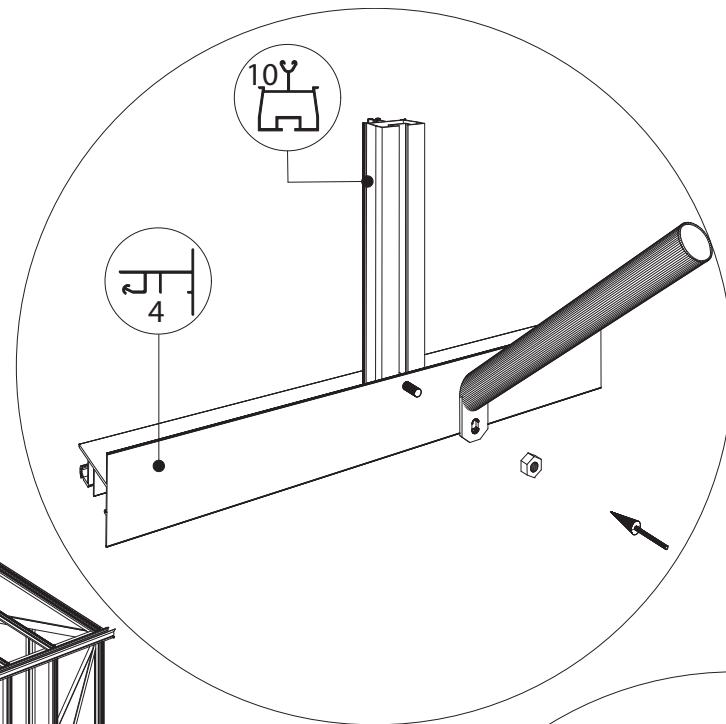
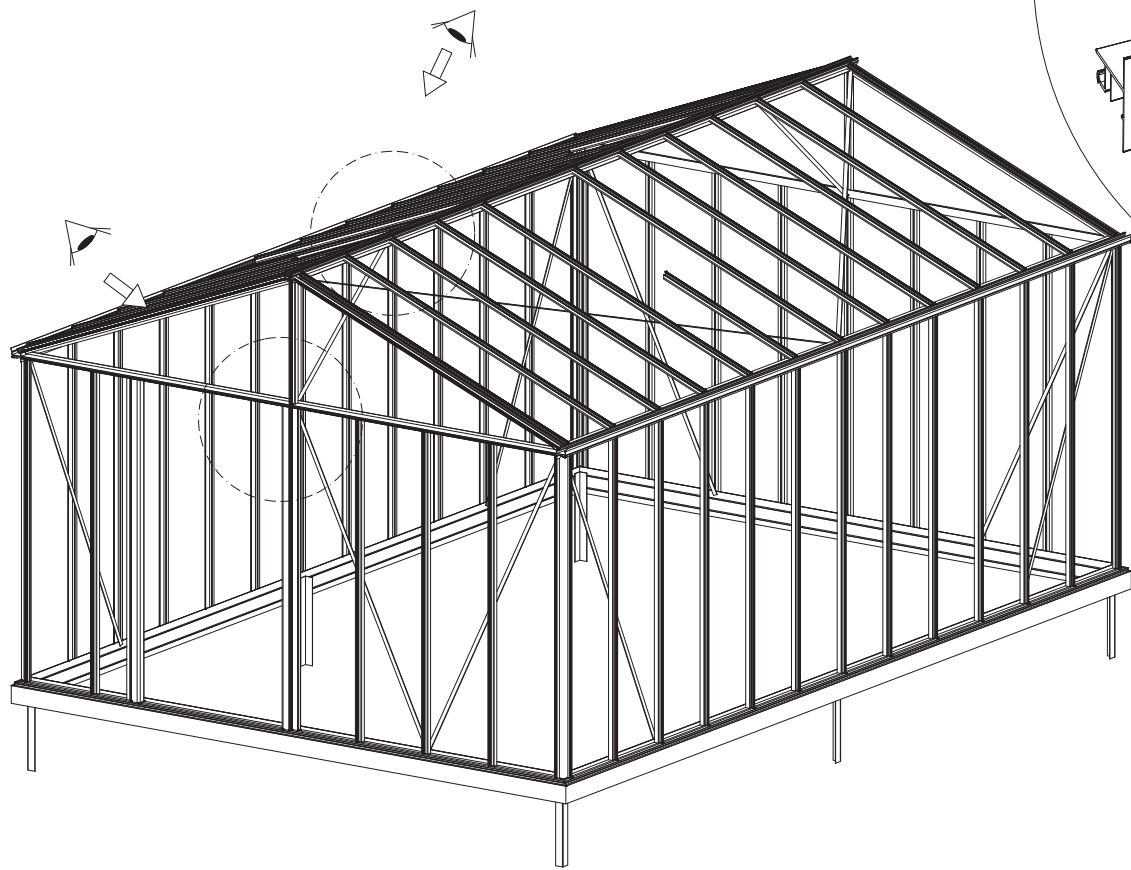


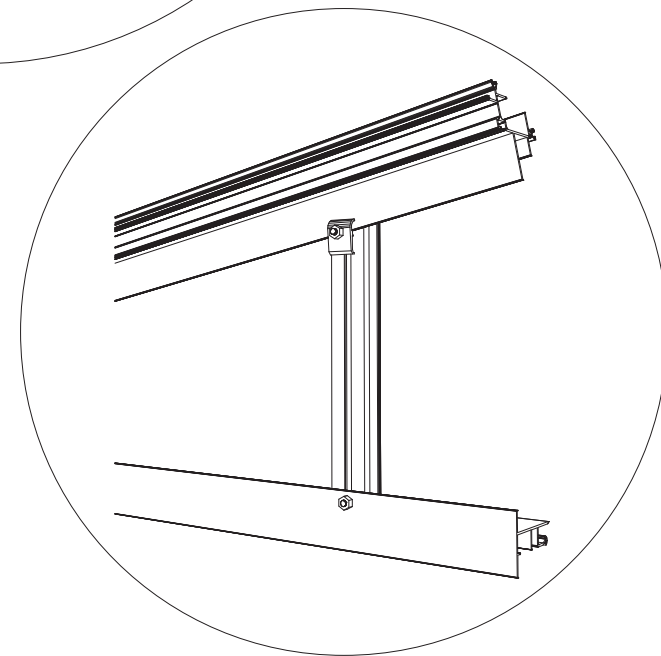
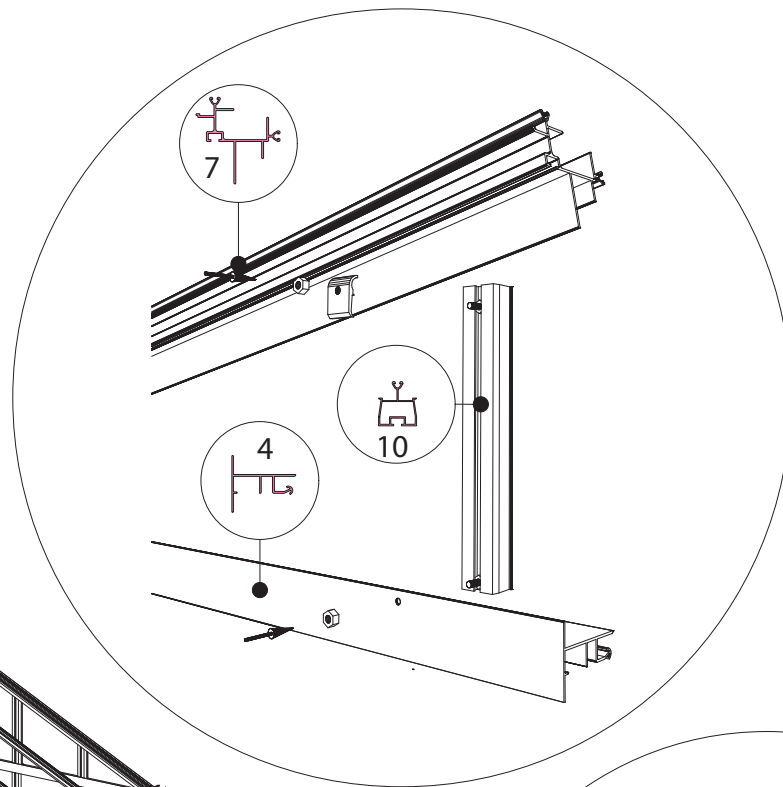
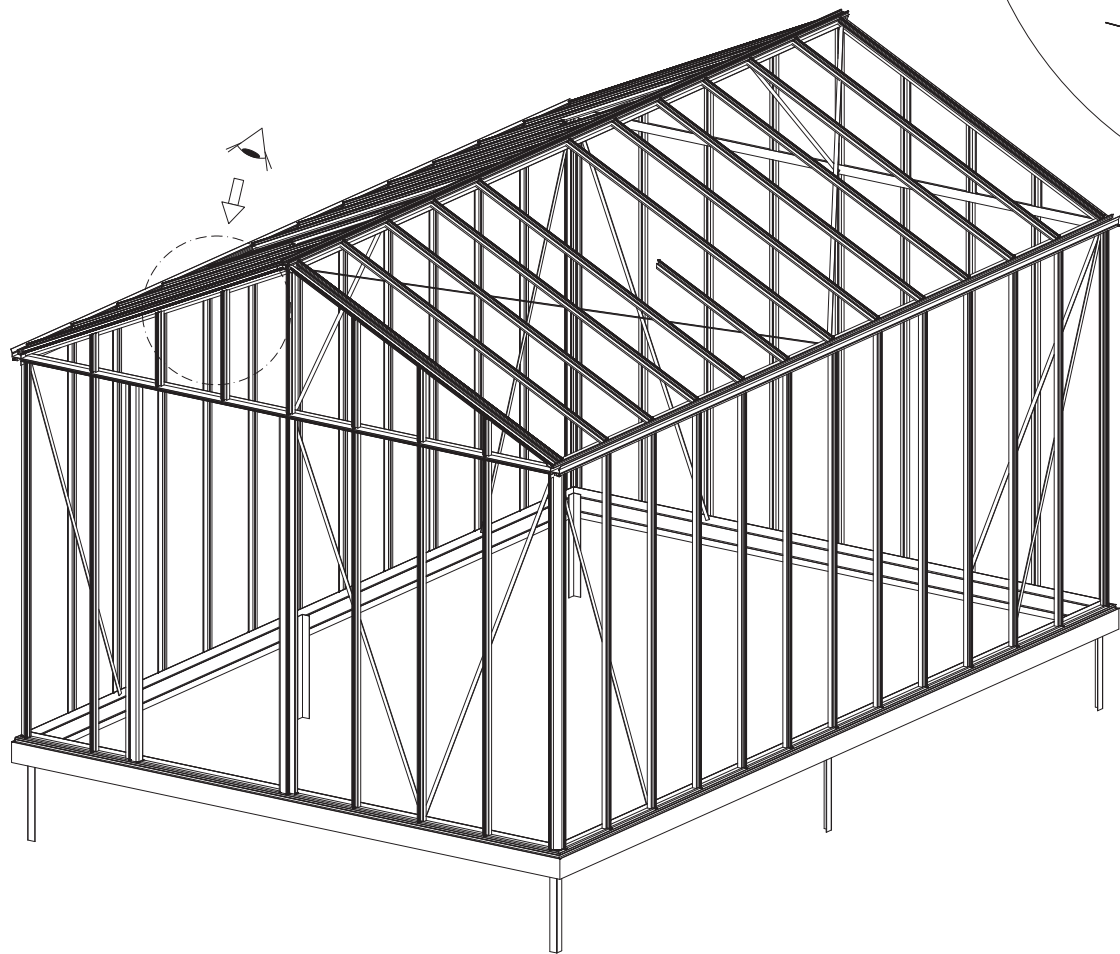




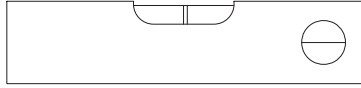
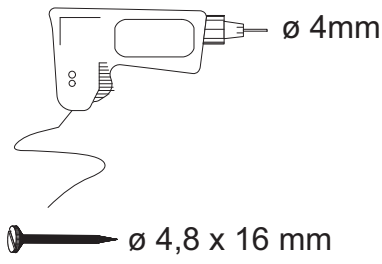
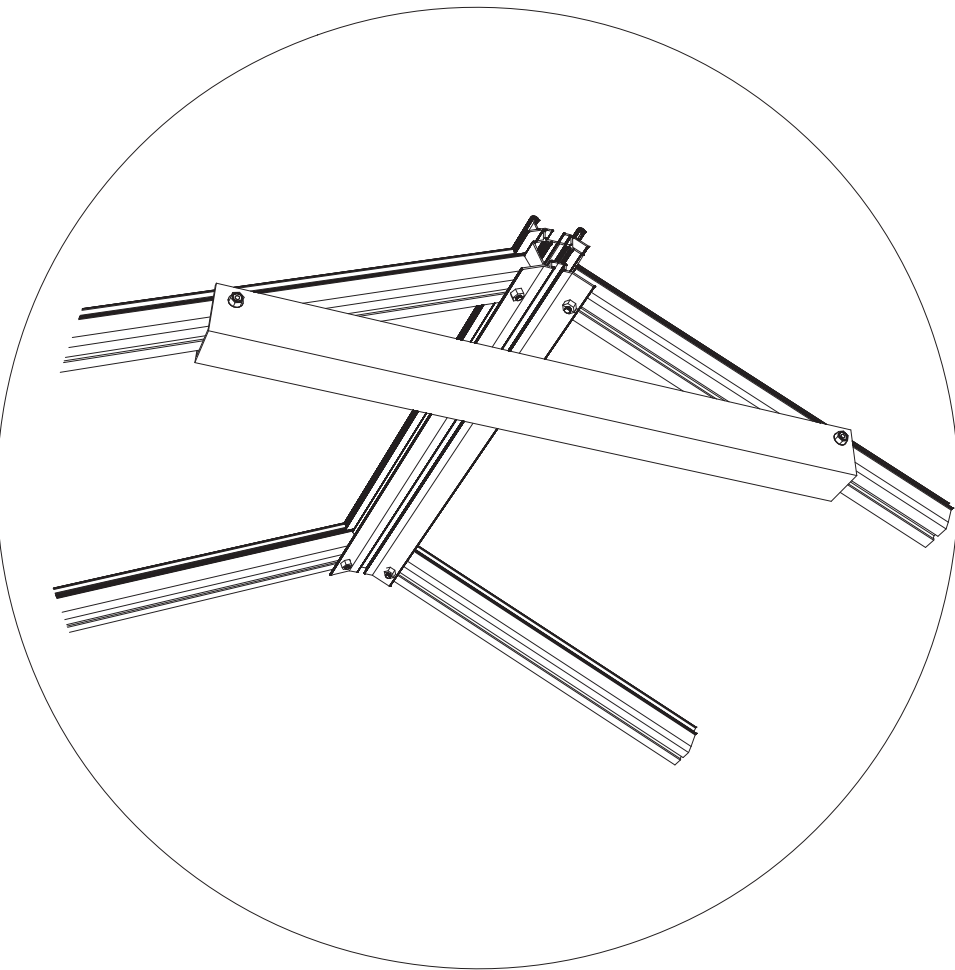
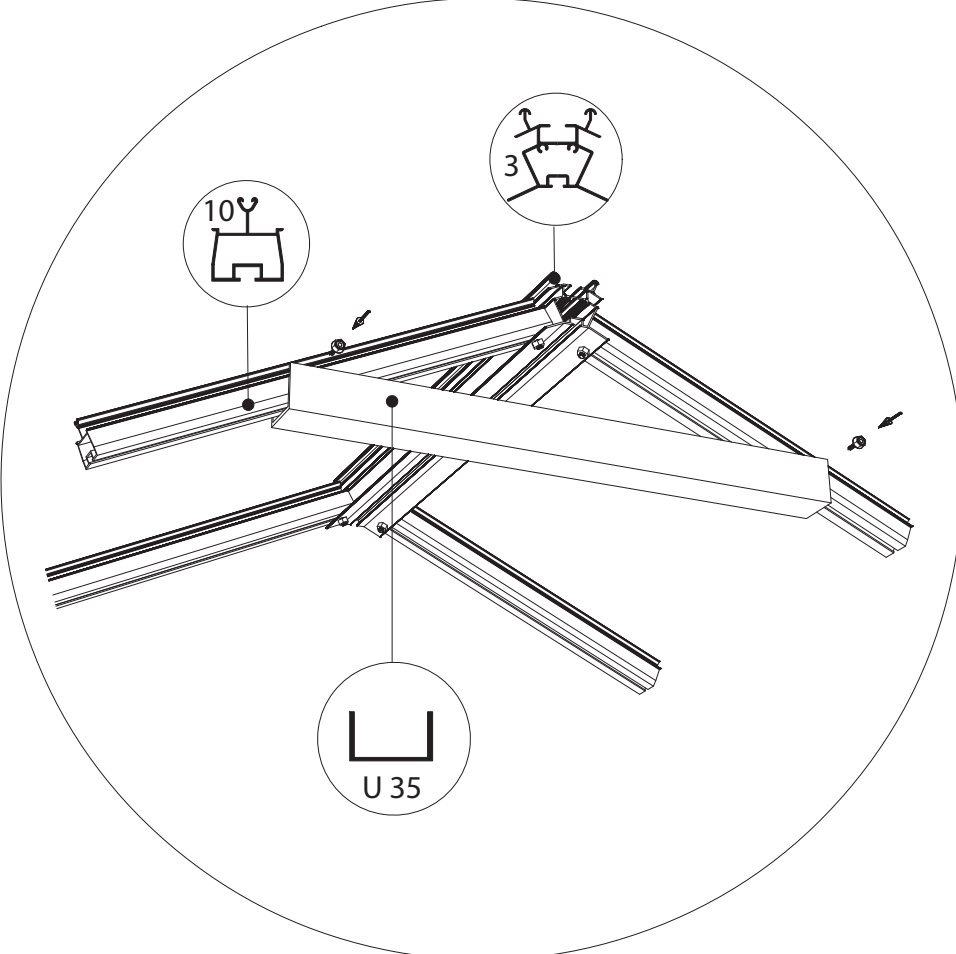


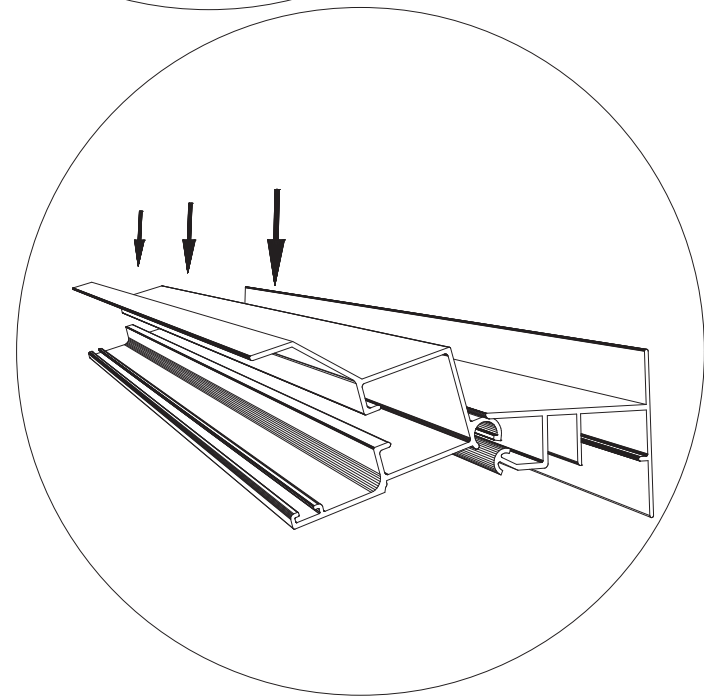
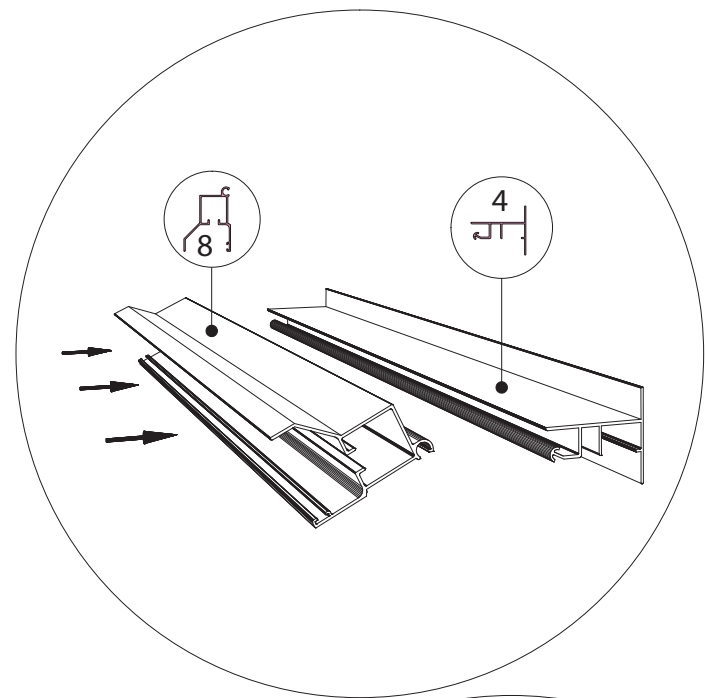
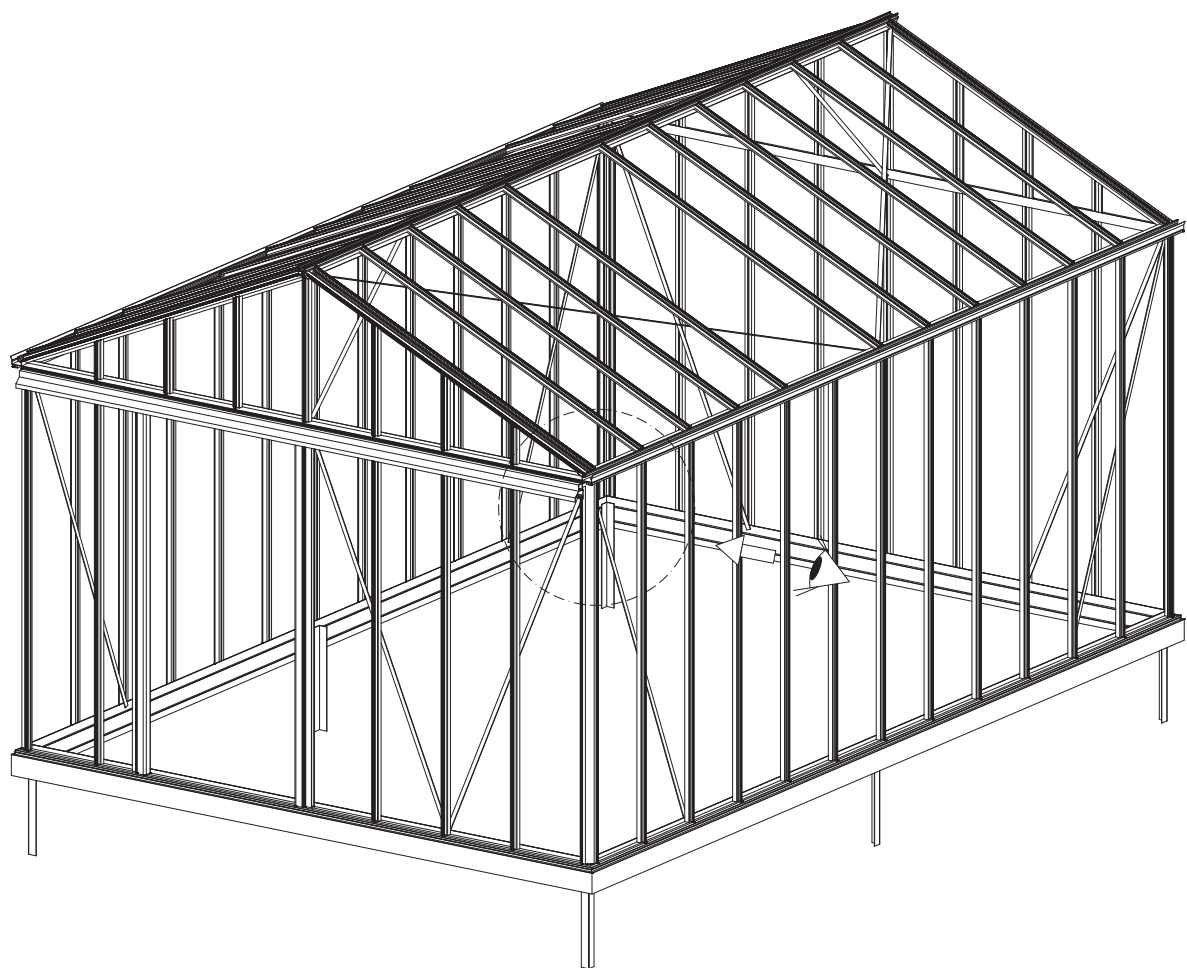


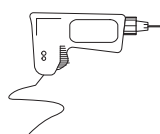
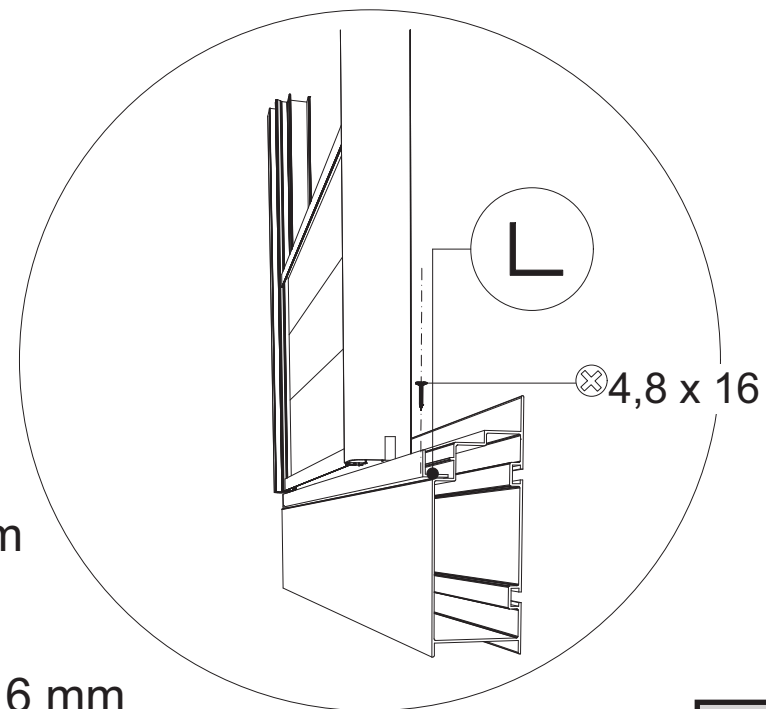
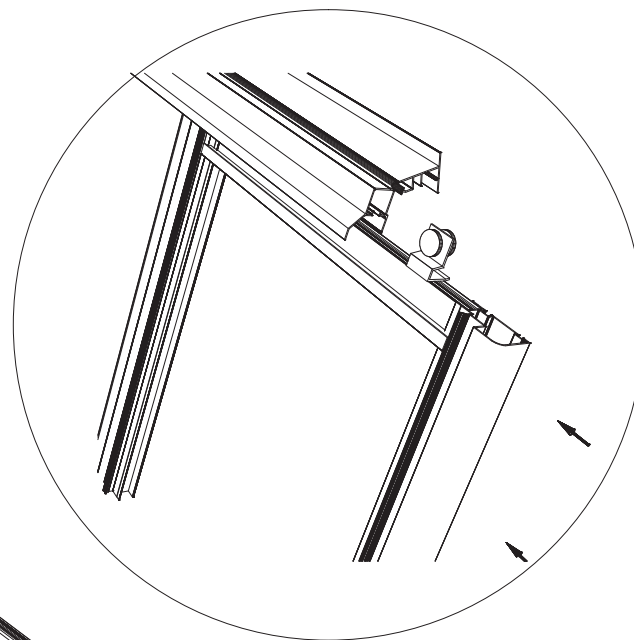
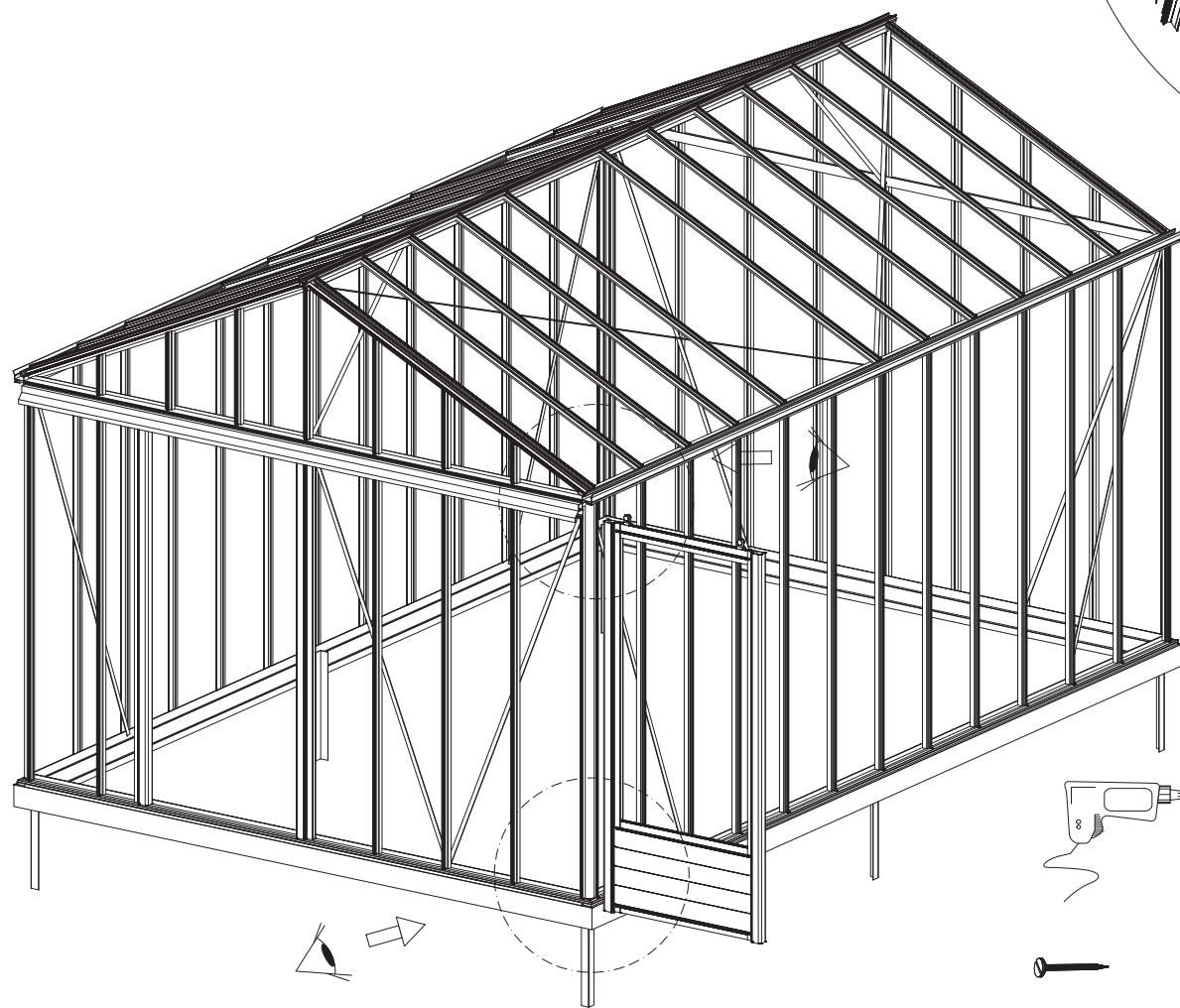




Euro-Maxi Special $\geq 6,77 + 7,53 + 8,30$



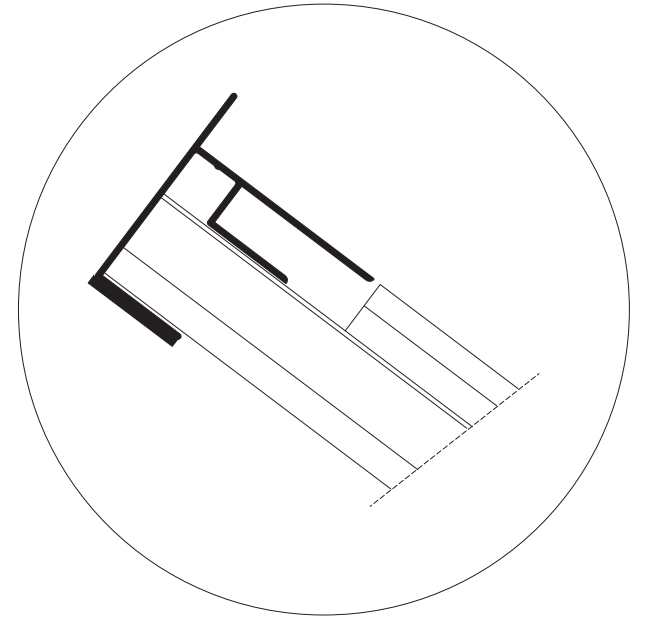
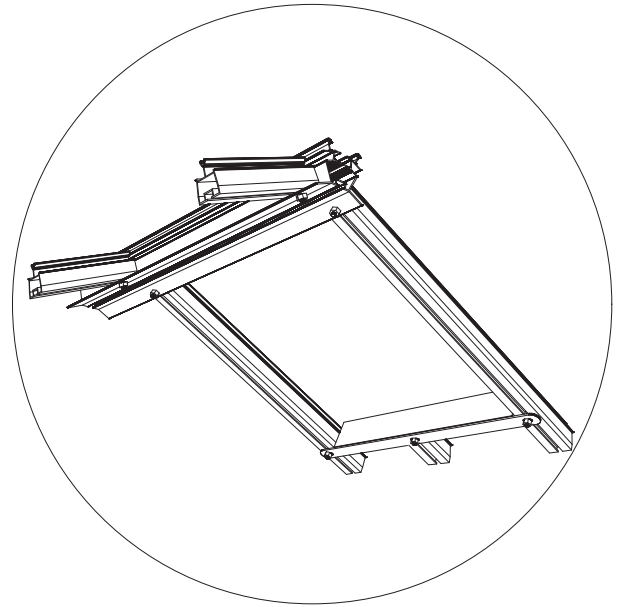
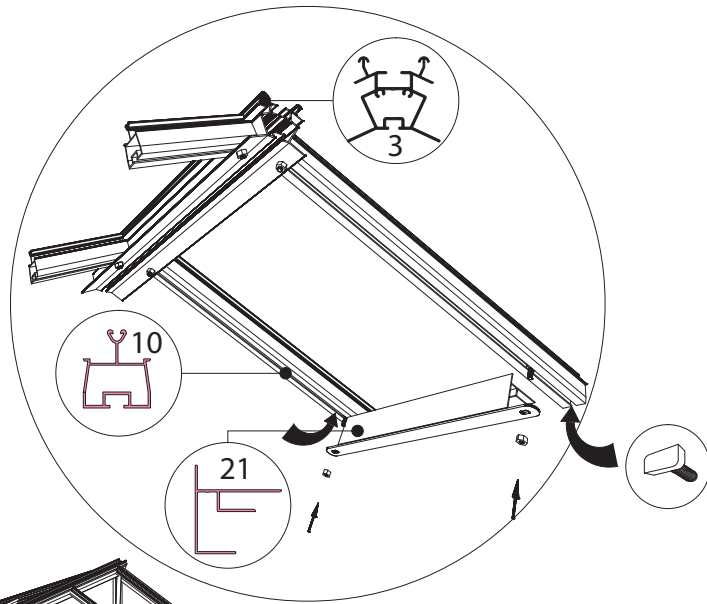
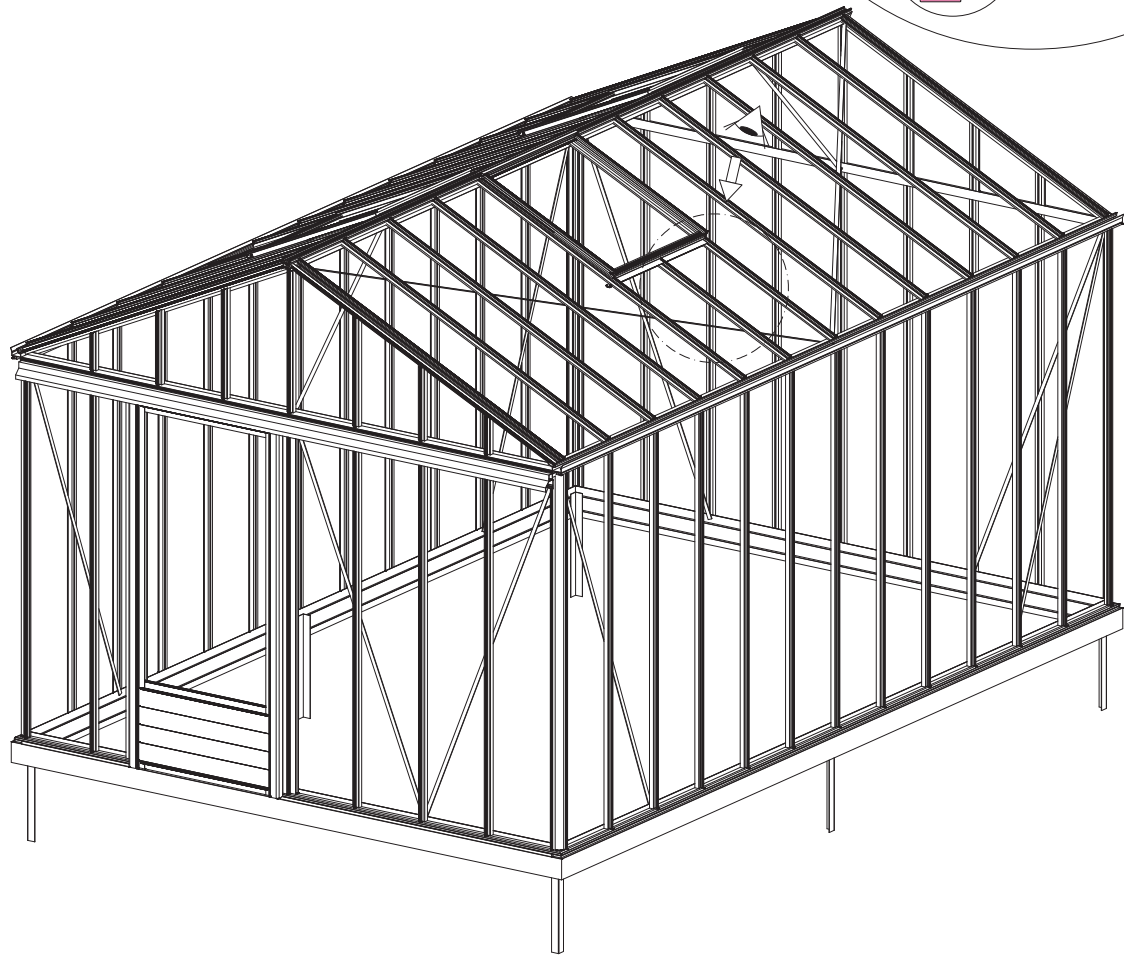


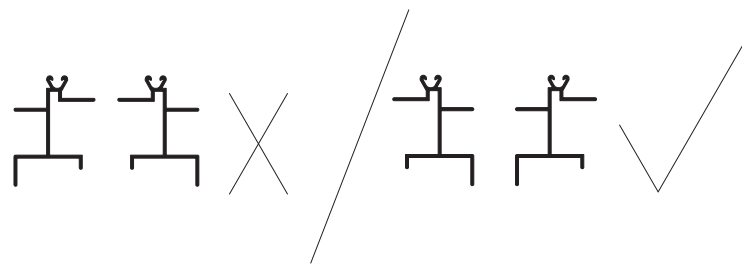
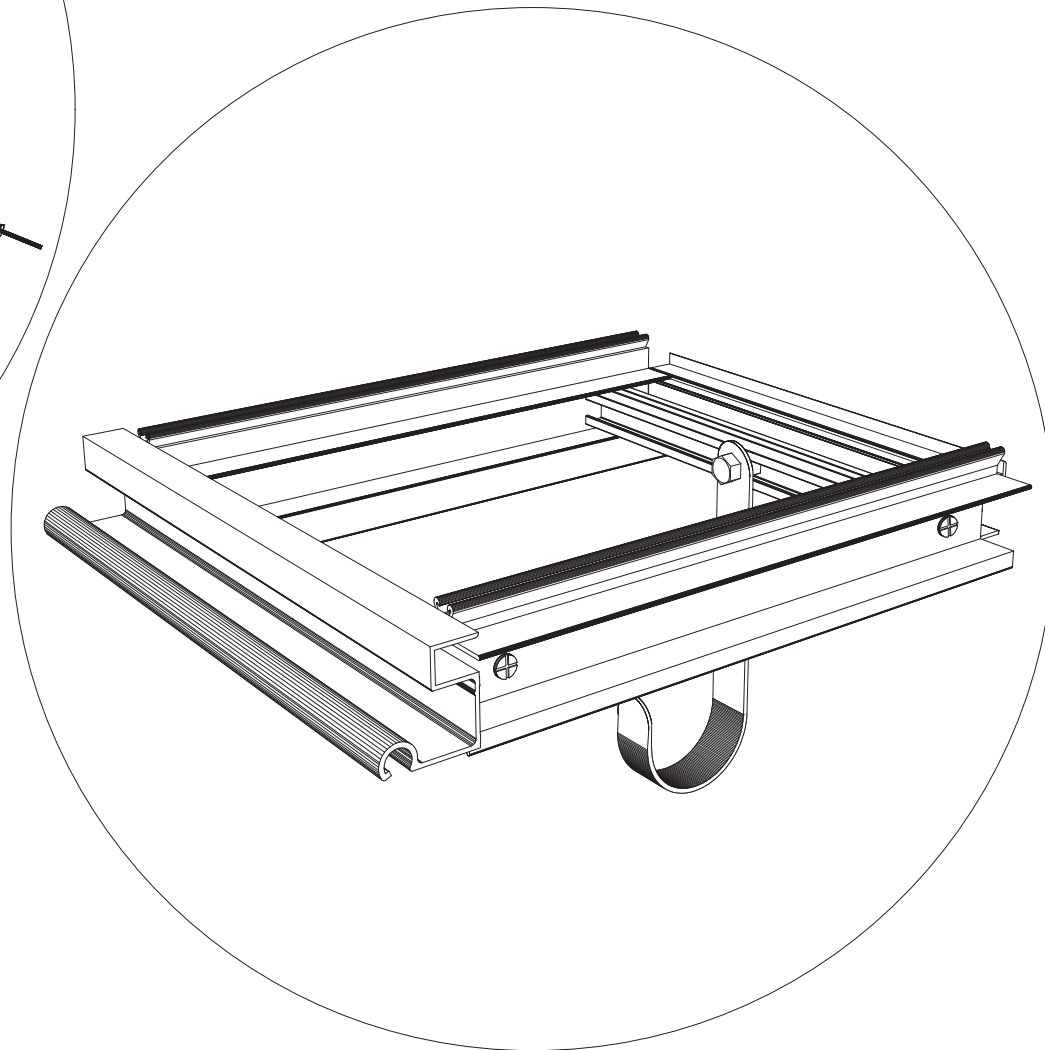
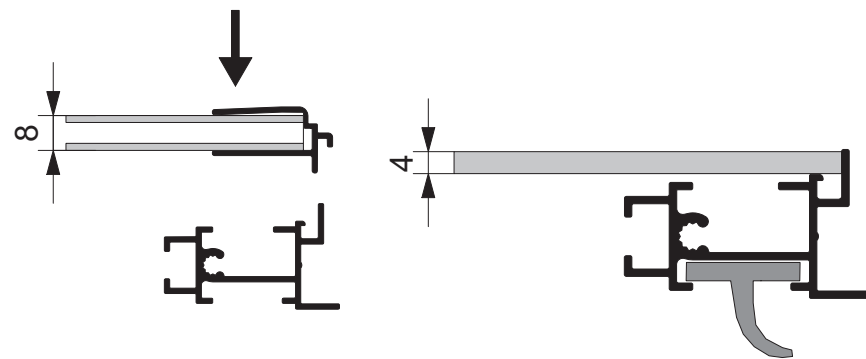
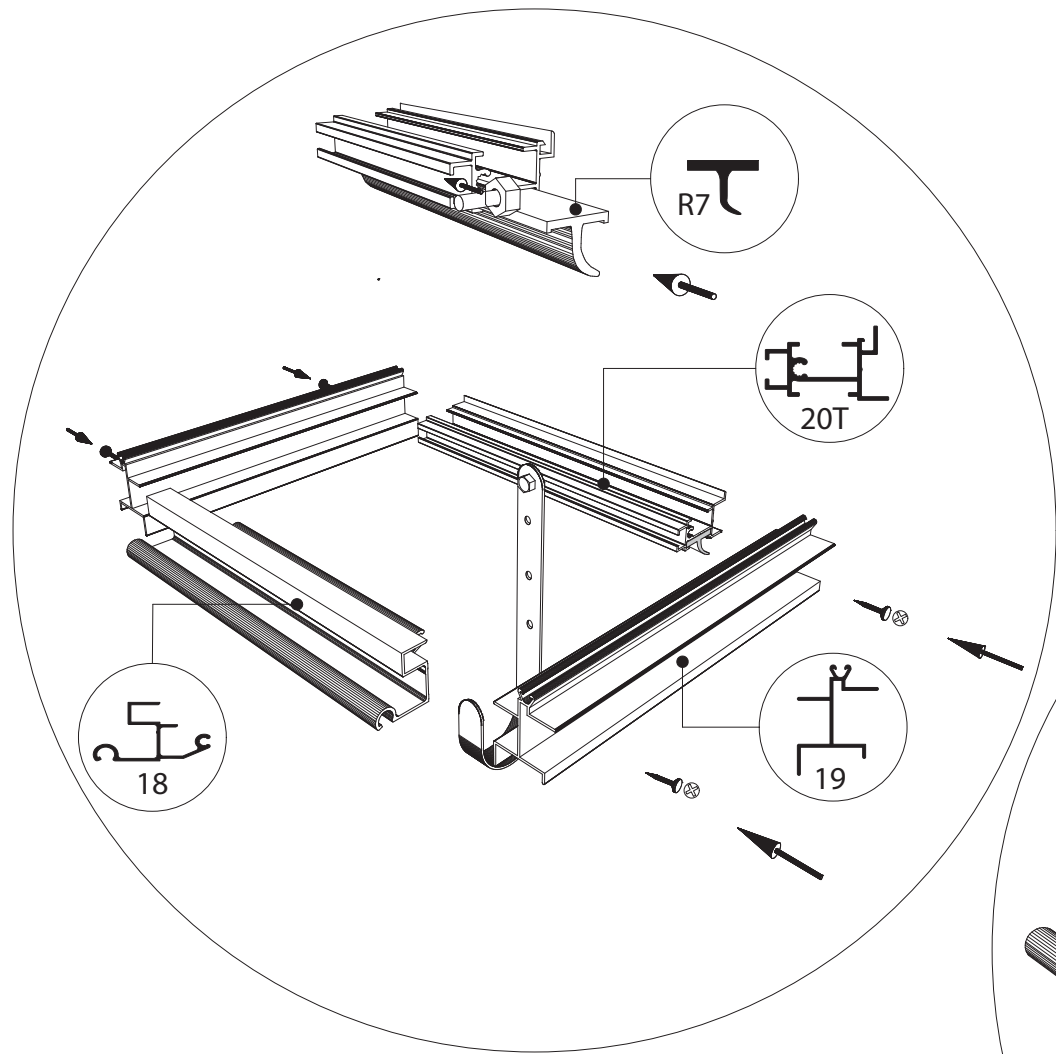


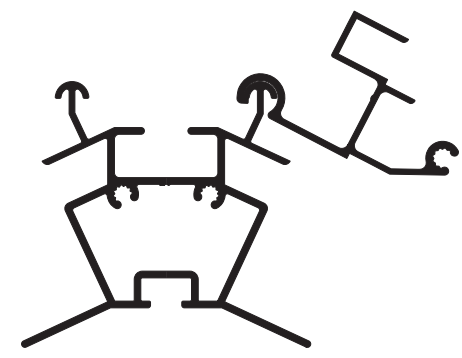
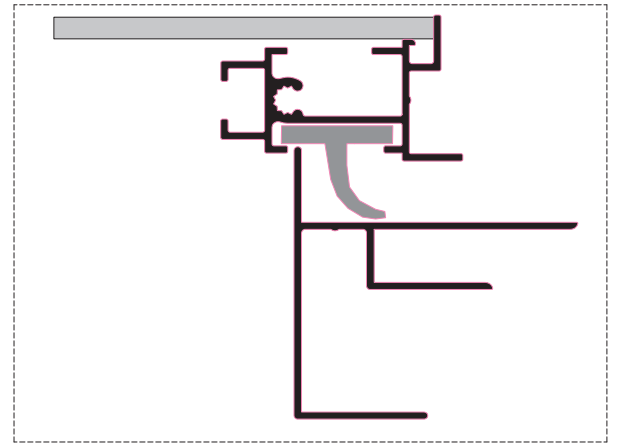
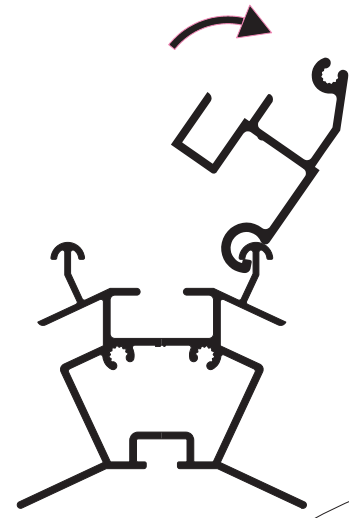
\otimes 4 mm



\otimes 4,8 x 16 mm







| Glass Dimensions Nv Euro-serre | | Maxi Speciaal 2,36m | | | | GlassH: 1650 | | | | | |
|--------------------------------|--|----------------------|------------|----------------------|------------|--------------|----------------------|-----------|----|---------------------|---|
| Glass Size 360mm | | Sides | | Single | Double | Roof | Size Lenght x Wide | | | m | m |
| | | 1650 x 360 | 1650 x 205 | 1250 x 730 | 1250 x 603 | 1250 x 360 | 825 x 730 | 420 x 360 | | | |
| 2,36m x 2,36m | | 21 | 1 | 1 | | 8 | 2 | 4 | | | |
| 2,36m x 3,09m | | 25 | 1 | 1 | | 12 | 2 | 4 | | | |
| 2,36m x 3,80m | | 29 | 1 | 1 | | 16 | 2 | 4 | | | |
| 2,36m x 4,57m | | 33 | 1 | 1 | | 18 | 3 | 6 | | | |
| 2,36m x 5,30m | | 37 | 1 | 1 | | 22 | 3 | 6 | | | |
| 2,36m x 6,04m | | 41 | 1 | 1 | | 24 | 4 | 8 | | | |
| 2,36m x 6,77m | | 45 | 1 | 1 | | 28 | 4 | 8 | | | |
| 2,36m x 7,53m | | 49 | 1 | 1 | | 32 | 4 | 8 | | | |
| 2,36m x 8,30m | | 53 | 1 | 1 | | 34 | 5 | 10 | | | |
| <u>Points</u> | | <u>2 x L + 2 x R</u> | | <u>2 x L + 2 x R</u> | | | <u>2 x L + 2 x R</u> | | 11 | 1,65 m ² | |
| | | | | | | | | | | | |

| Glass Dimensions Nv Euro-serre | | Maxi Speciaal 2,36m | | | | GlassH: 1850 | | | | | |
|--------------------------------|--|----------------------|------------|----------------------|------------|--------------|----------------------|-----------|----|---------------------|---|
| Glass Size 360mm | | Sides | | Single | Double | Roof | Size Lenght x Wide | | | m | m |
| | | 1850 x 360 | 1850 x 205 | 1450 x 730 | 1450 x 603 | 1250 x 360 | 825 x 730 | 420 x 360 | | | |
| 2,36m x 2,36m | | 21 | 1 | 1 | | 8 | 2 | 4 | | | |
| 2,36m x 3,09m | | 25 | 1 | 1 | | 12 | 2 | 4 | | | |
| 2,36m x 3,80m | | 29 | 1 | 1 | | 16 | 2 | 4 | | | |
| 2,36m x 4,57m | | 33 | 1 | 1 | | 18 | 3 | 6 | | | |
| 2,36m x 5,30m | | 37 | 1 | 1 | | 22 | 3 | 6 | | | |
| 2,36m x 6,04m | | 41 | 1 | 1 | | 24 | 4 | 8 | | | |
| 2,36m x 6,77m | | 45 | 1 | 1 | | 28 | 4 | 8 | | | |
| 2,36m x 7,53m | | 49 | 1 | 1 | | 32 | 4 | 8 | | | |
| 2,36m x 8,30m | | 53 | 1 | 1 | | 34 | 5 | 10 | | | |
| <u>Points</u> | | <u>2 x L + 2 x R</u> | | <u>2 x L + 2 x R</u> | | | <u>2 x L + 2 x R</u> | | 11 | 1,65 m ² | |
| | | | | | | | | | | | |

Opgemaakt op 27/09/2016

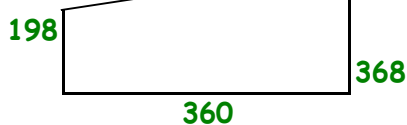
| Glass Dimensions Nv Euro-serre | | Maxi Speciaal 3,09m | | | GlassH: 1650 | | | | | |
|--------------------------------|--|---------------------|------------|------------|--------------|------------|--------------------|-----------|---|---|
| Glass Size 360mm | | Sides | | Single | Double | Roof | Size Lenght x Wide | | m | m |
| | | 1650 x 360 | 1650 x 205 | 1250 x 730 | 1250 x 603 | 1650 x 360 | 825 x 730 | 820 x 360 | | |
| 3,09m x 2,36m | | 25 | 1 | 1 | | 8 | 2 | 4 | | |
| 3,09m x 3,09m | | 29 | 1 | 1 | | 12 | 2 | 4 | | |
| 3,09m x 3,80m | | 33 | 1 | 1 | | 16 | 2 | 4 | | |
| 3,09m x 4,57m | | 37 | 1 | 1 | | 18 | 3 | 6 | | |
| 3,09m x 5,30m | | 41 | 1 | 1 | | 22 | 3 | 6 | | |
| 3,09m x 6,04m | | 45 | 1 | 1 | | 24 | 4 | 8 | | |
| 3,09m x 6,77m | | 49 | 1 | 1 | | 28 | 4 | 8 | | |
| 3,09m x 7,53m | | 53 | 1 | 1 | | 32 | 4 | 8 | | |
| 3,09m x 8,30m | | 57 | 1 | 1 | | 34 | 5 | 10 | | |

Points

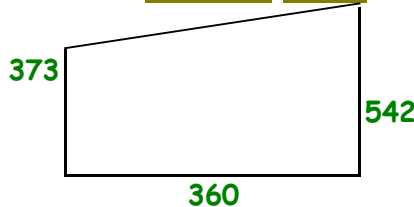
$2 \times L + 2 \times R$



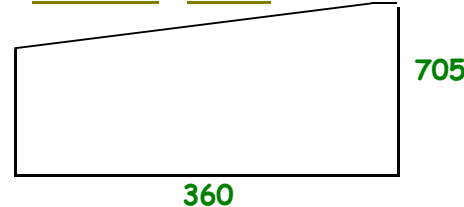
$2 \times L + 2 \times R$



$2 \times L + 2 \times R$



$2 \times L + 2 \times R$

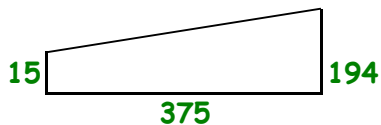


2,62 m²

| Glass Dimensions Nv Euro-serre | | Maxi Speciaal 3,09m | | | GlassH: 1850 | | | | | |
|--------------------------------|--|---------------------|------------|------------|--------------|------------|--------------------|-----------|---|---|
| Glass Size 360mm | | Sides | | Single | Double | Roof | Size Lenght x Wide | | m | m |
| | | 1850 x 360 | 1850 x 205 | 1450 x 730 | 1450 x 603 | 1650 x 360 | 825 x 730 | 820 x 360 | | |
| 3,09m x 2,36m | | 25 | 1 | 1 | | 8 | 2 | 4 | | |
| 3,09m x 3,09m | | 29 | 1 | 1 | | 12 | 2 | 4 | | |
| 3,09m x 3,80m | | 33 | 1 | 1 | | 16 | 2 | 4 | | |
| 3,09m x 4,57m | | 37 | 1 | 1 | | 18 | 3 | 6 | | |
| 3,09m x 5,30m | | 41 | 1 | 1 | | 22 | 3 | 6 | | |
| 3,09m x 6,04m | | 45 | 1 | 1 | | 24 | 4 | 8 | | |
| 3,09m x 6,77m | | 49 | 1 | 1 | | 28 | 4 | 8 | | |
| 3,09m x 7,53m | | 53 | 1 | 1 | | 32 | 4 | 8 | | |
| 3,09m x 8,30m | | 57 | 1 | 1 | | 34 | 5 | 10 | | |

Points

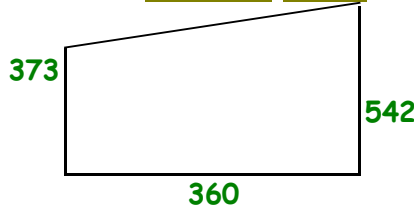
$2 \times L + 2 \times R$



$2 \times L + 2 \times R$



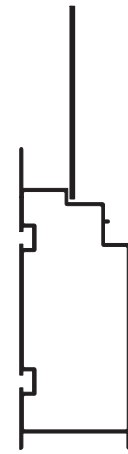
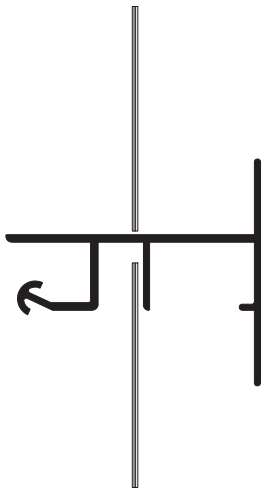
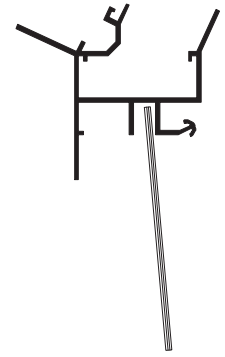
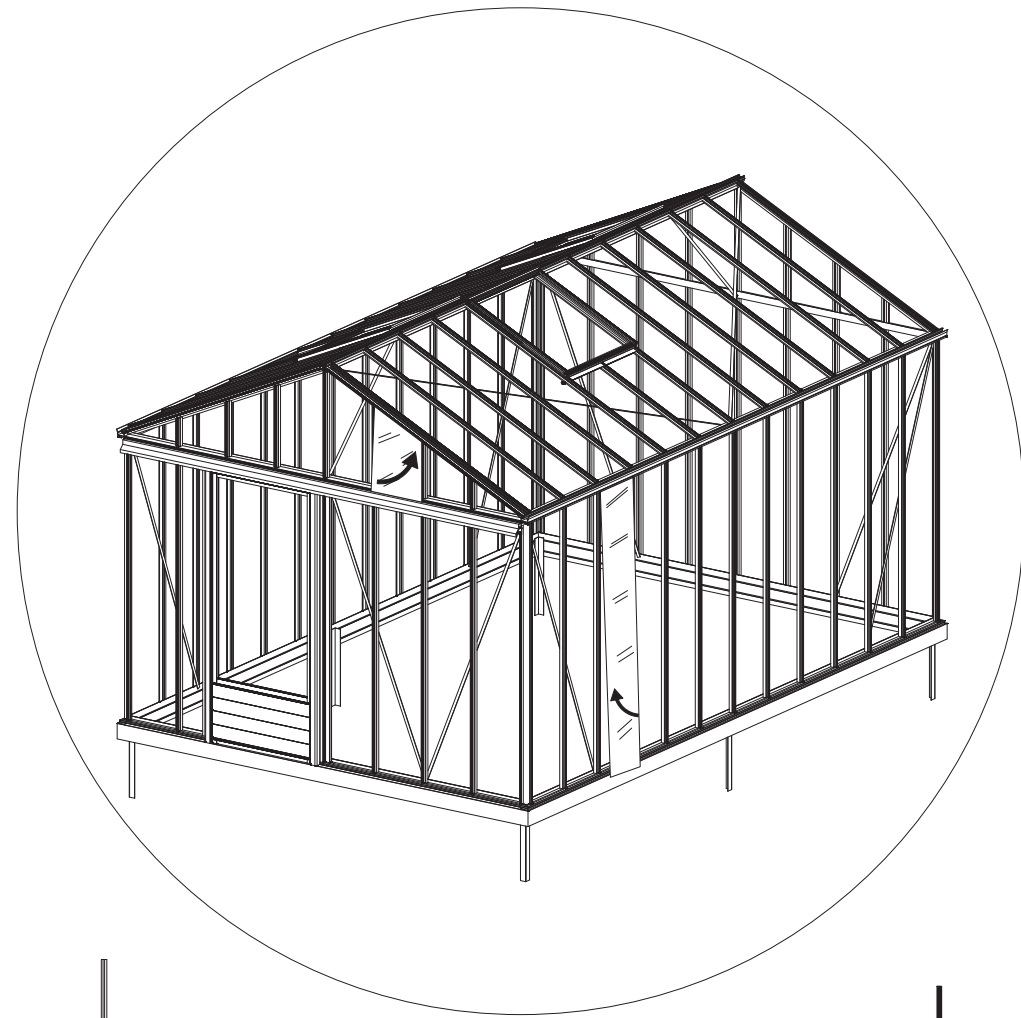
$2 \times L + 2 \times R$

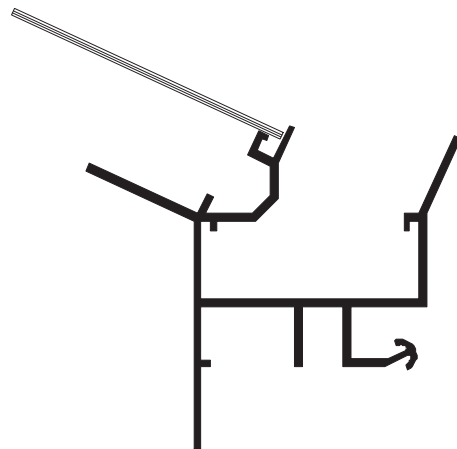
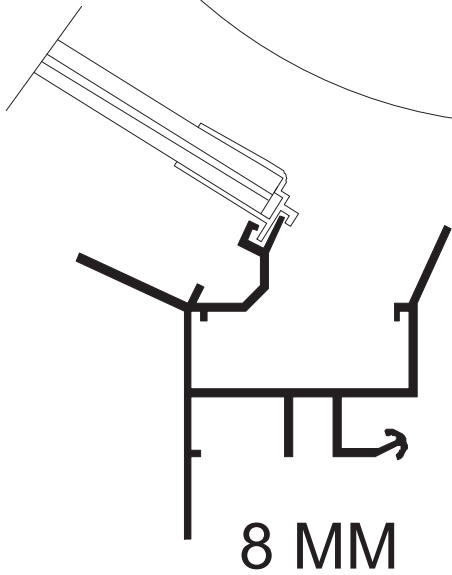
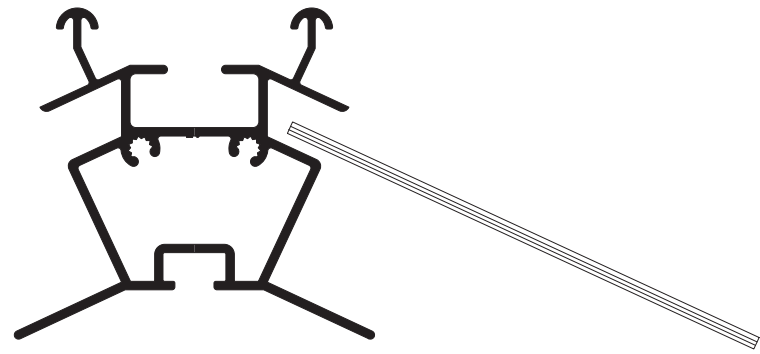


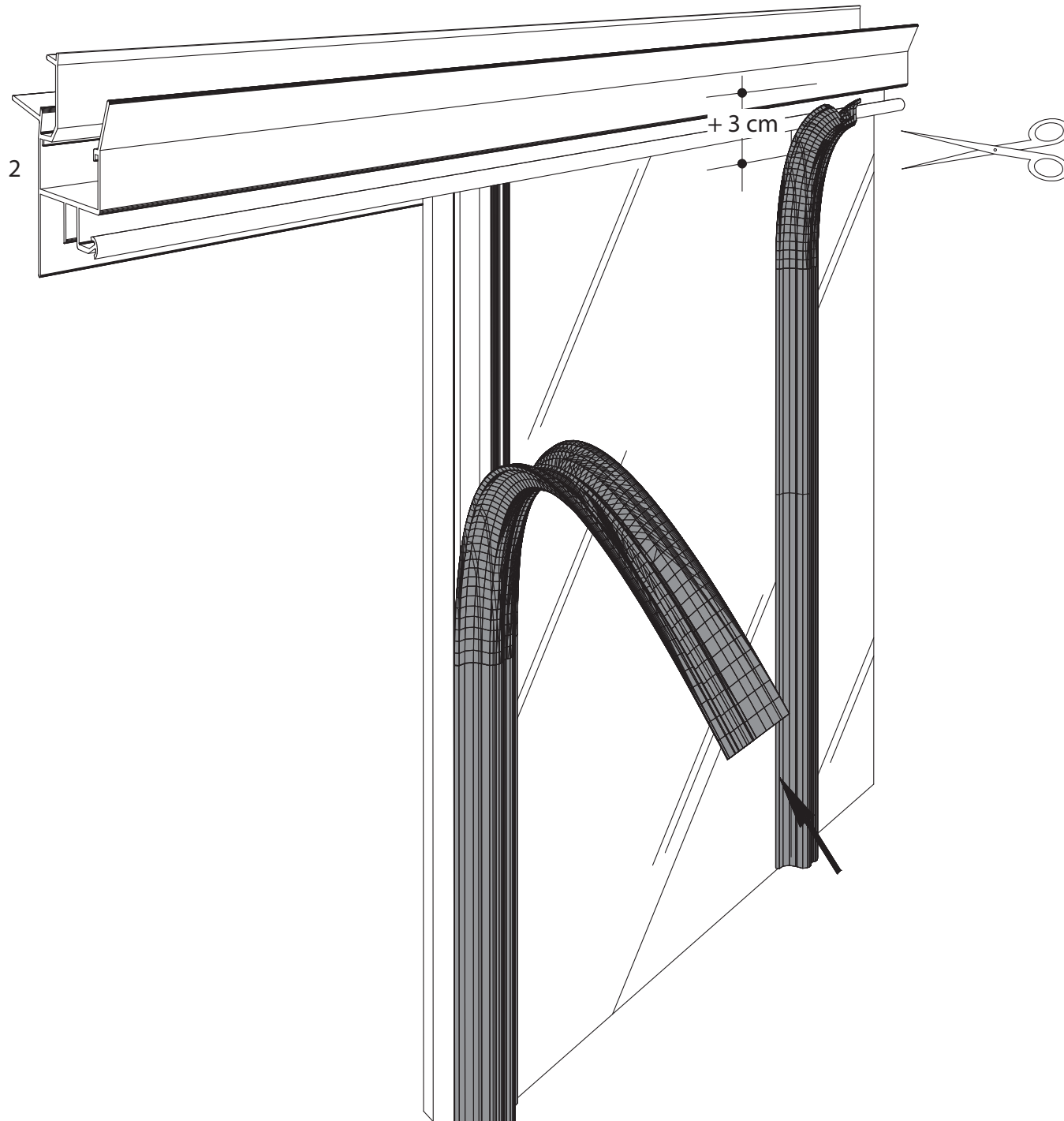
$2 \times L + 2 \times R$

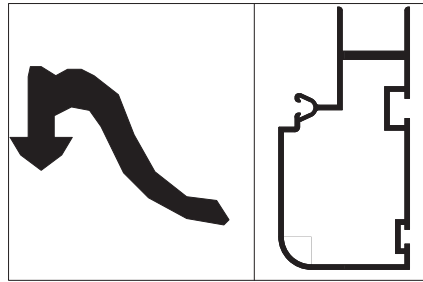
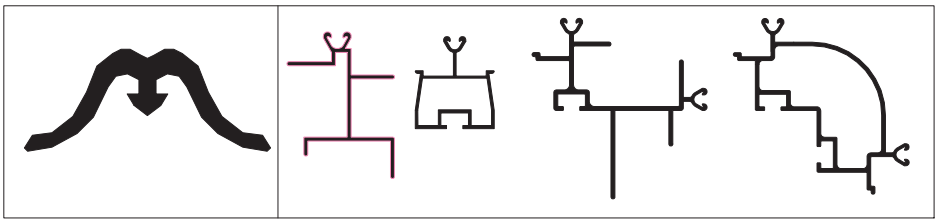
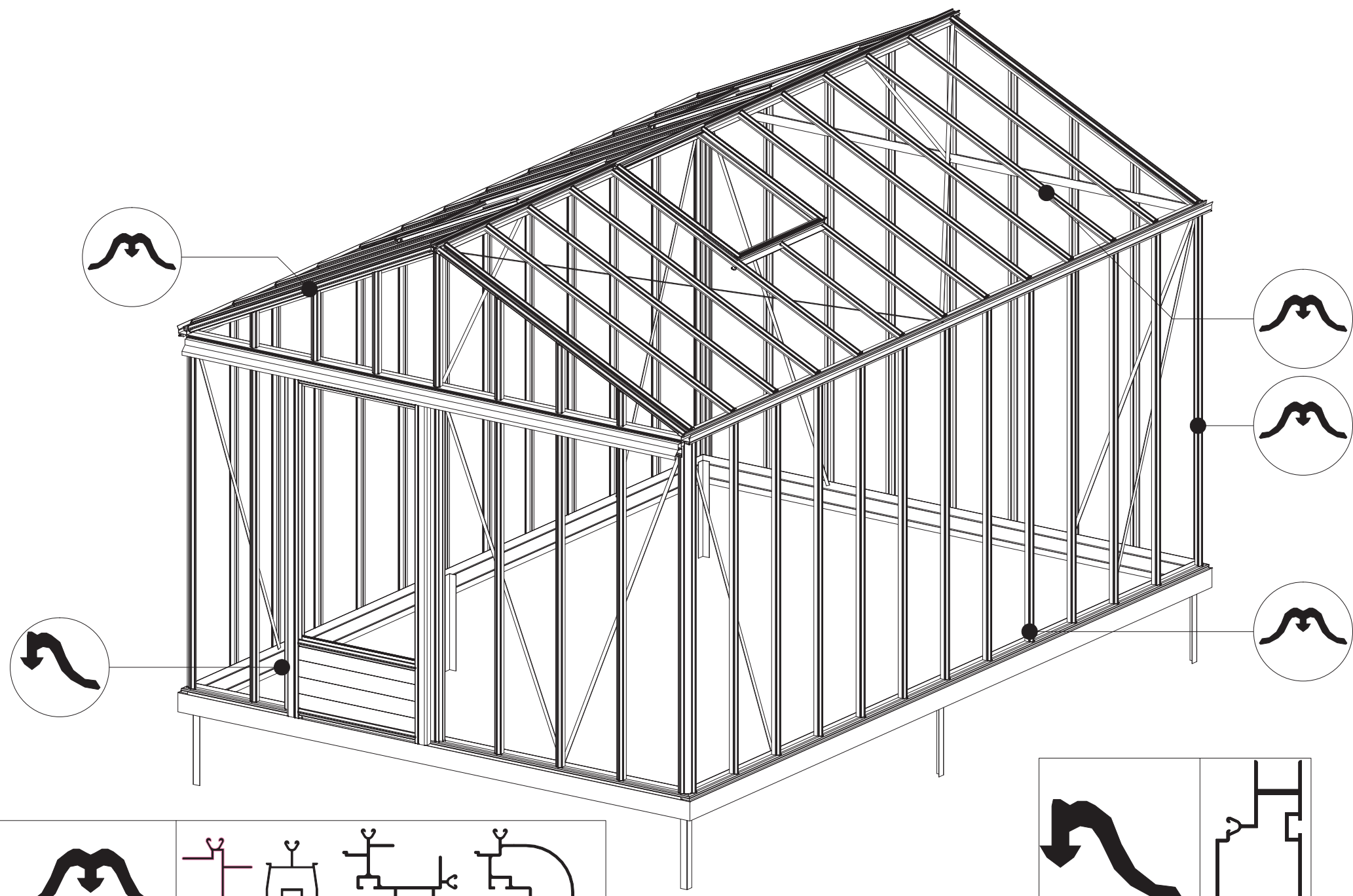


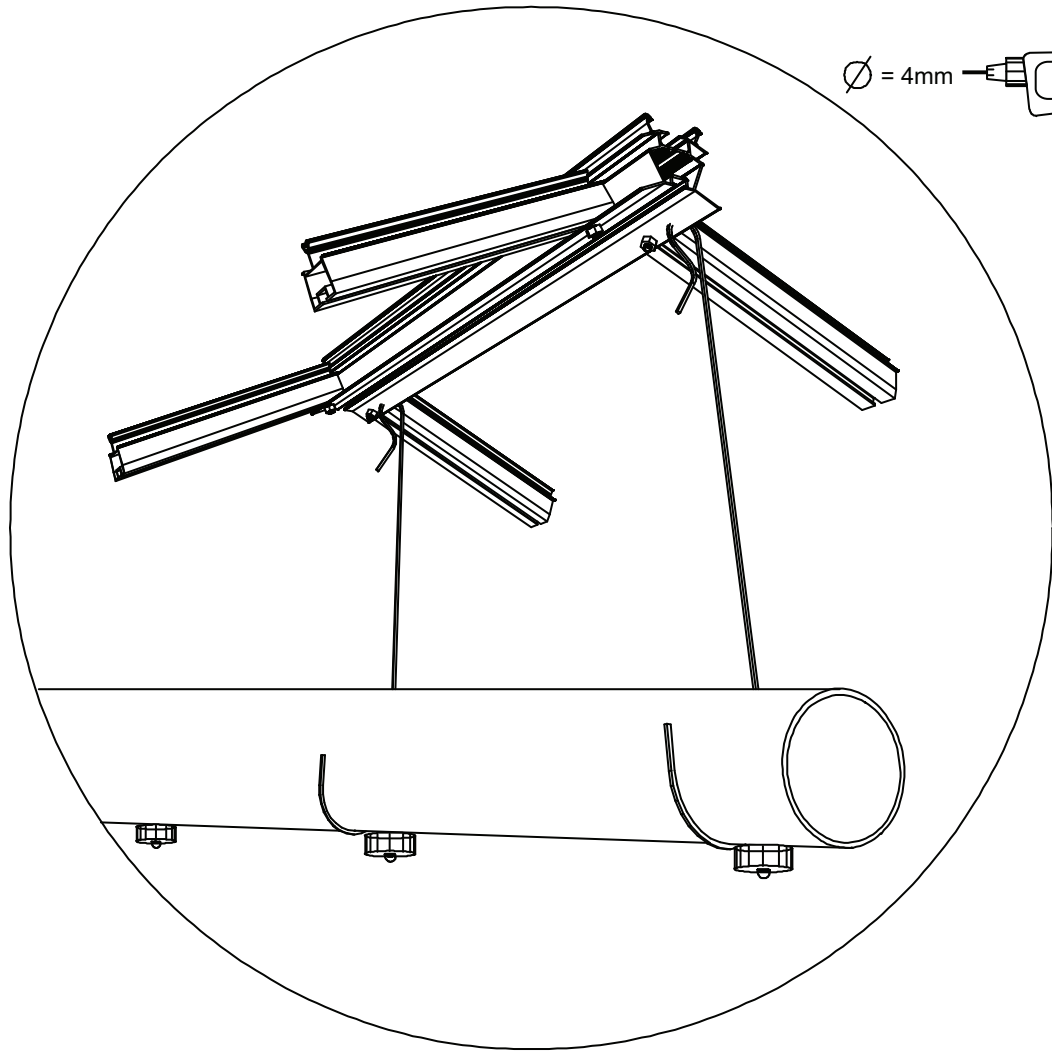
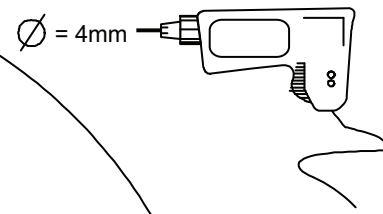
2,62 m²












 $\varnothing 4,8 \times 16 \text{ mm}$

