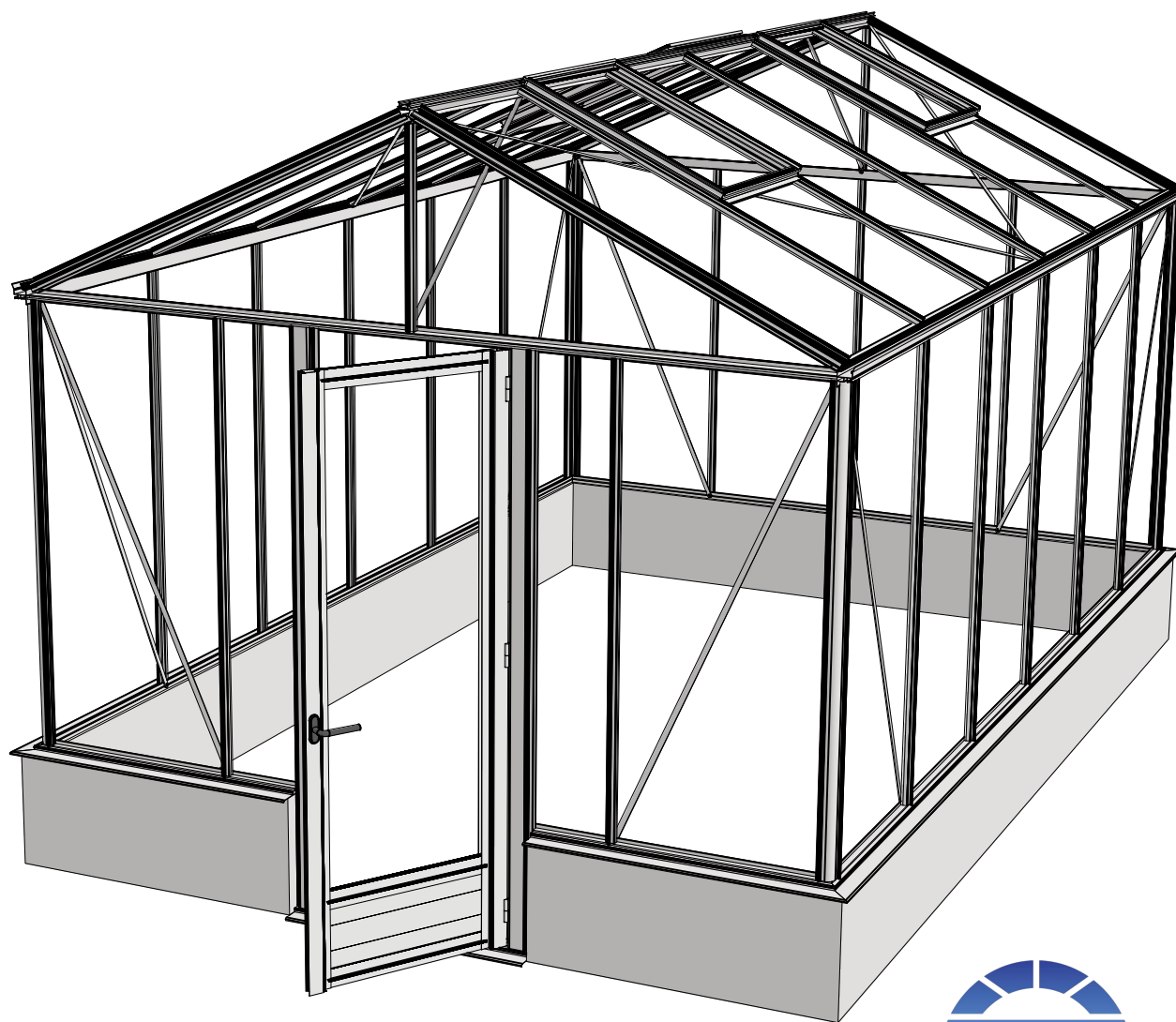
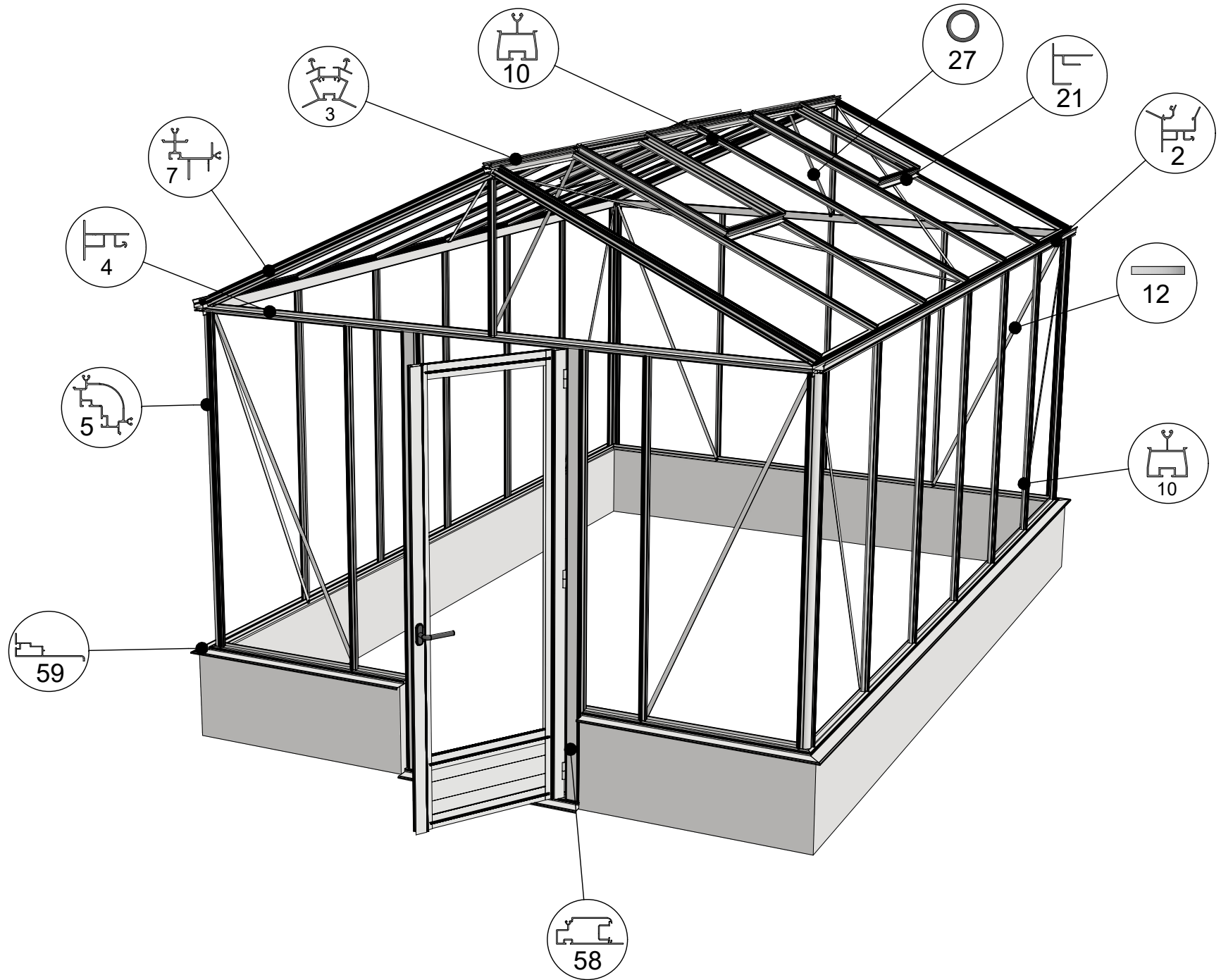
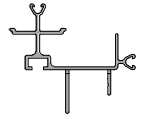

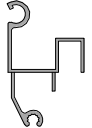

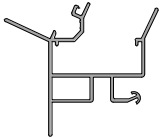

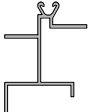
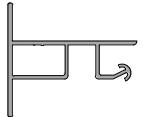
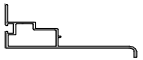
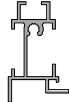
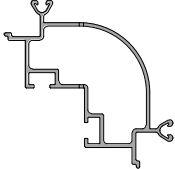
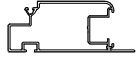

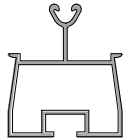
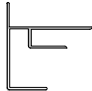
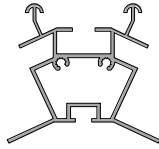


Euro-Maxi 3,09 on wall.

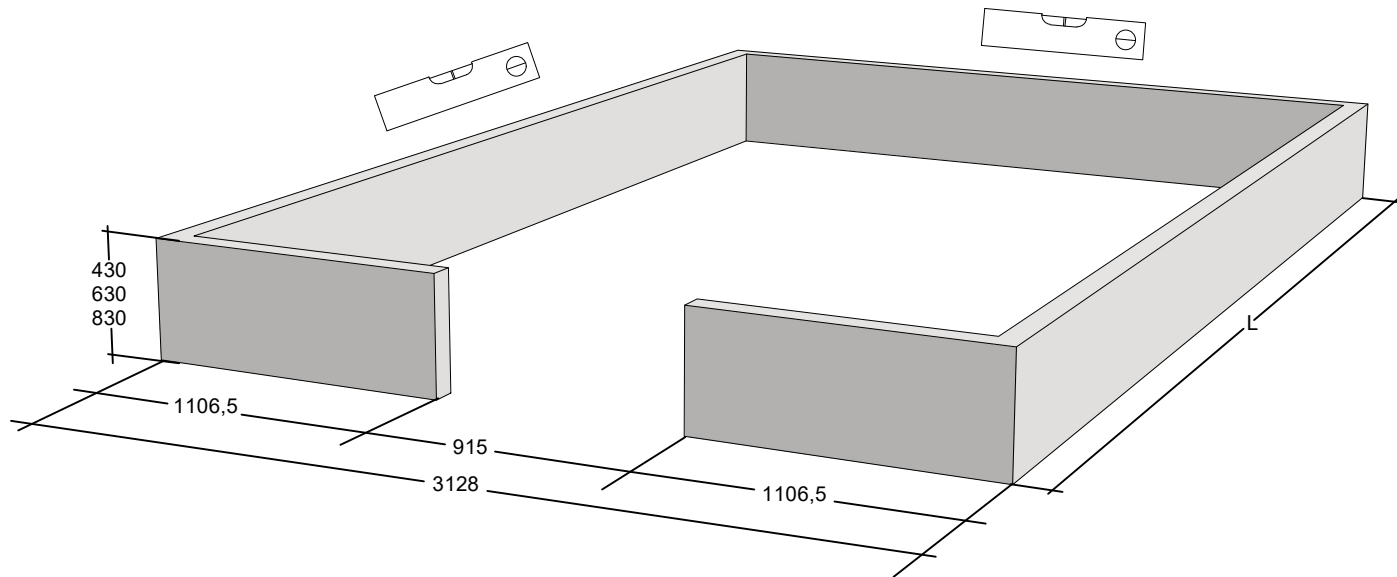
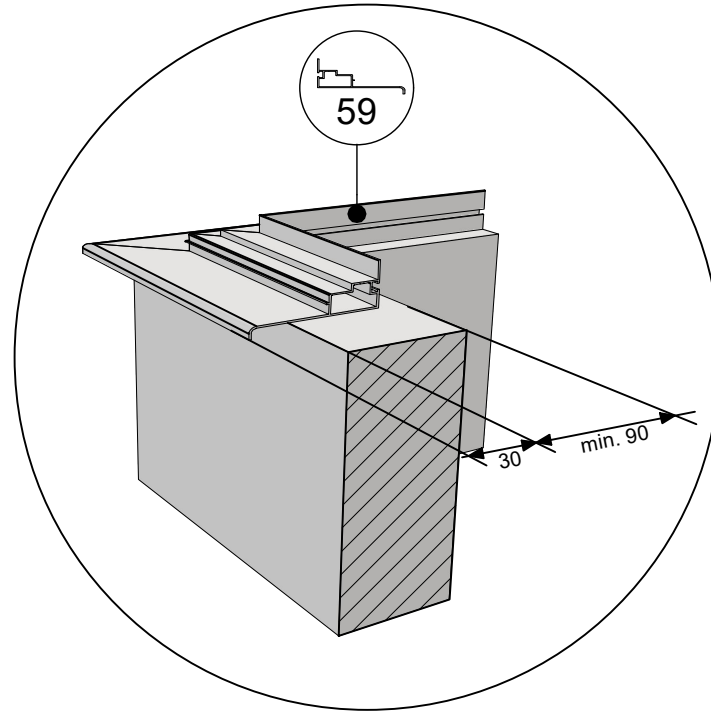


24-01-2023



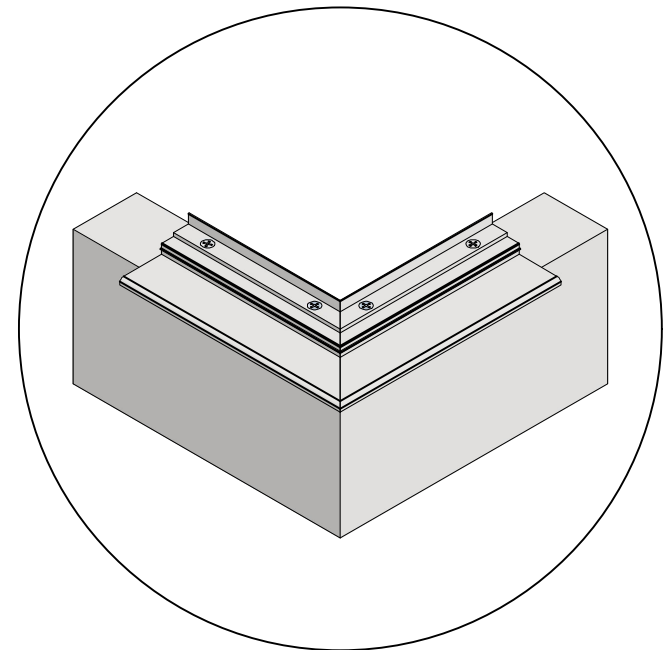
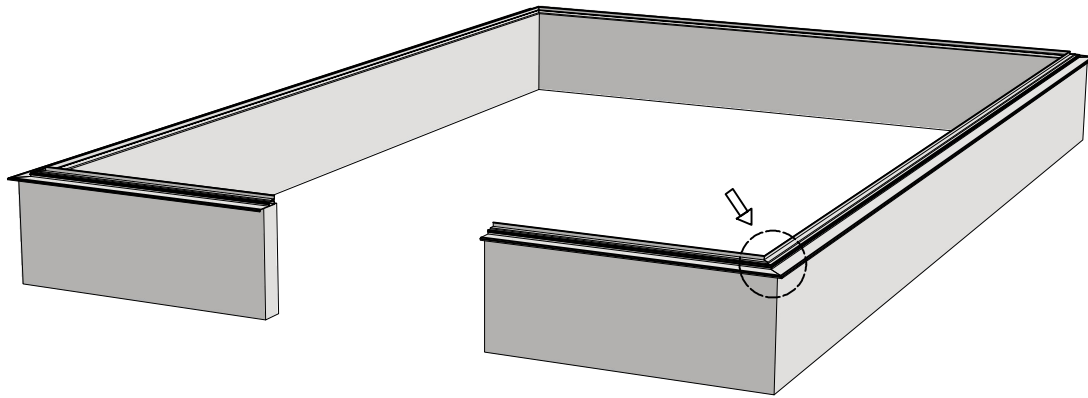
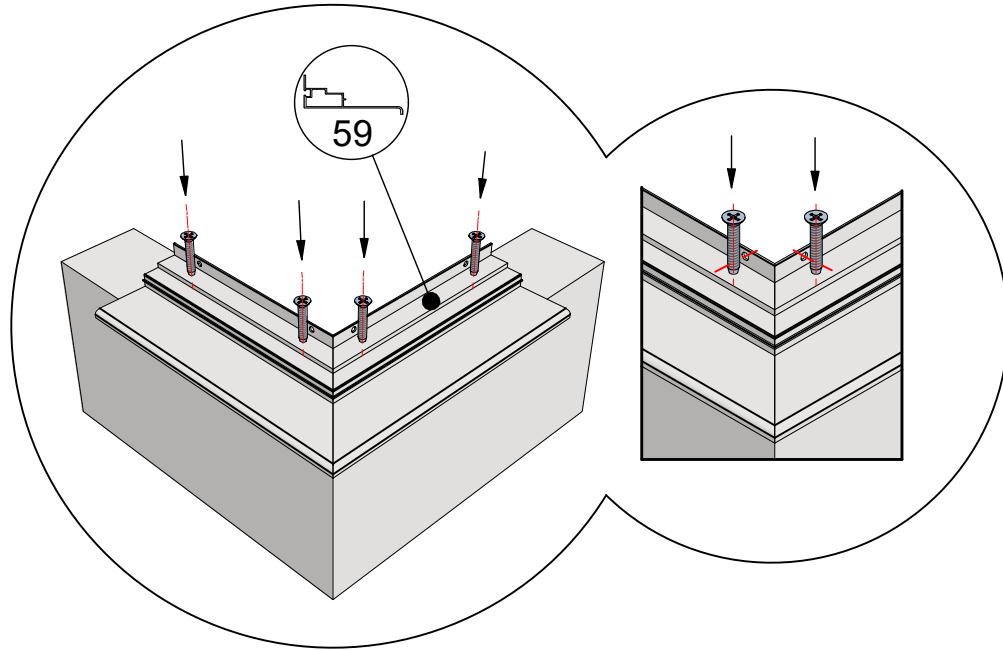
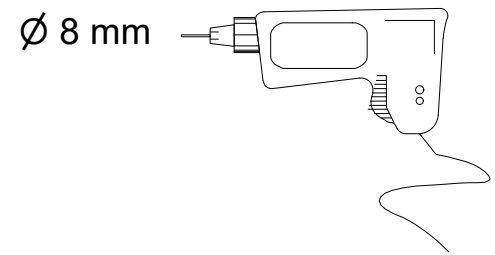
Profile list											
-	NR	Profile NR	-	NR	Profile NR	-	NR	Profile NR	-	NR	Profile NR
	7	7151		U35	U35		18	17542		40	B32
	2	11788		12	7070		19	17543			
	4	17549		59	9249		20	28513			
	5	17548		58	12960		27	B18			
	10	17541		21	19577		3	8642			

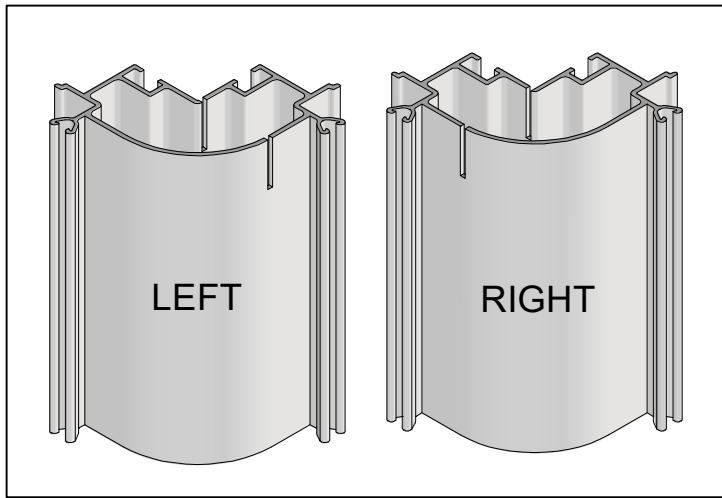
- Attention! Check inside the foundation for more profiles.
- Achtung! Prüfen sie das fundament für weitere profile.
- Opgelet! kijk in de fundering voor andere profielen.
- Attention! Regarde à l'intérieur du fondation pour plussier profils.
- Observera at en del profiler ligger i sockelprofilen!!



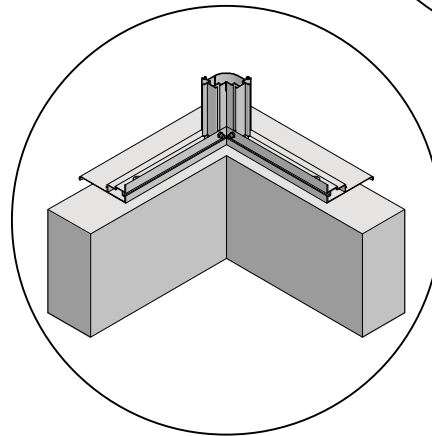
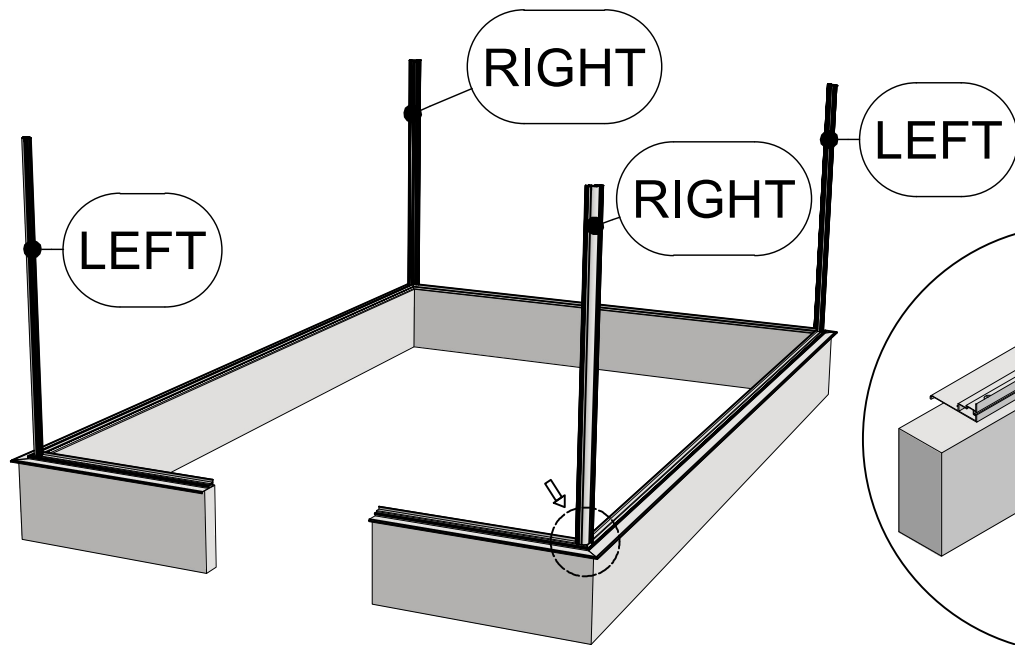
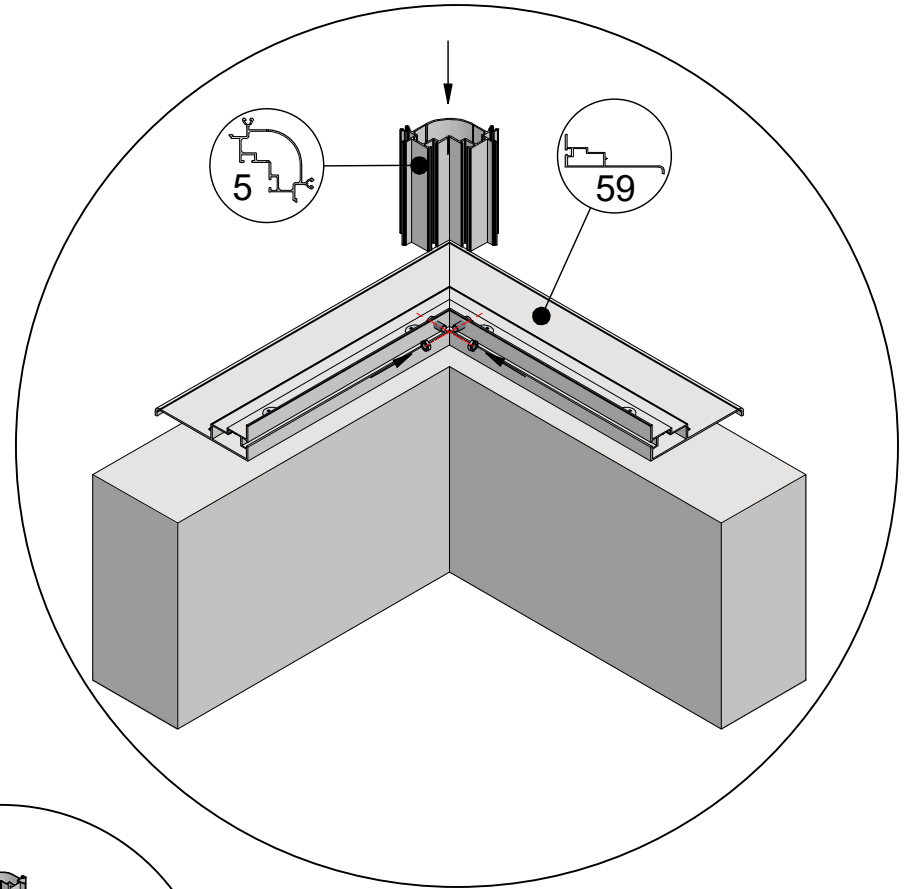


6x120

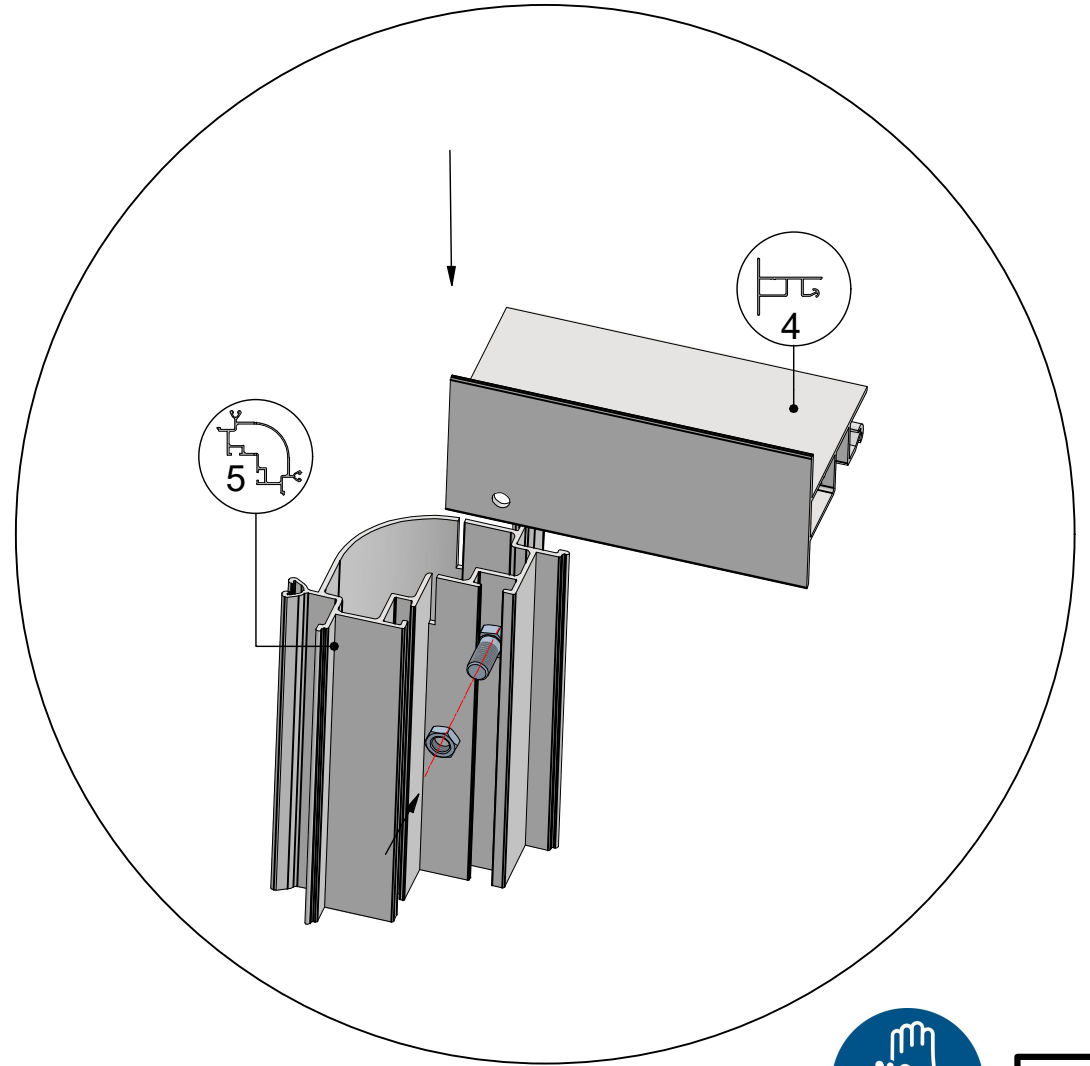
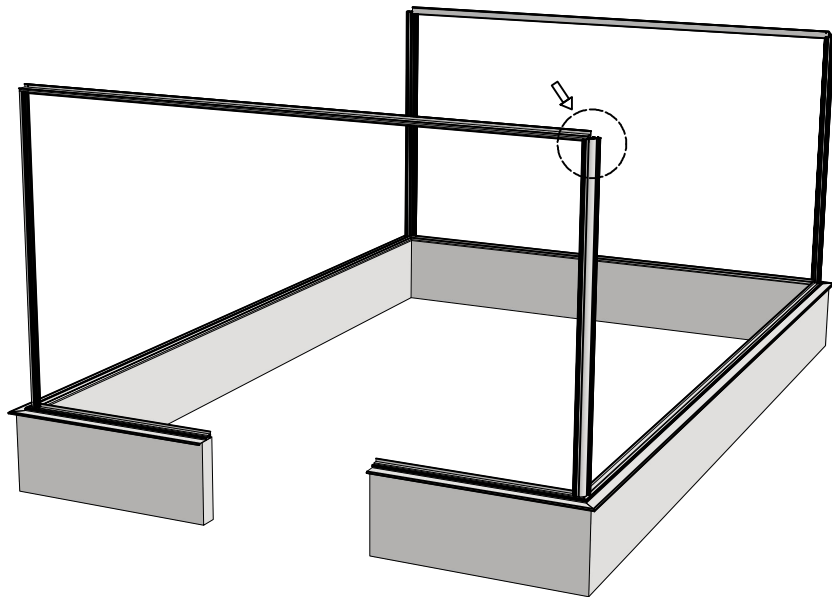
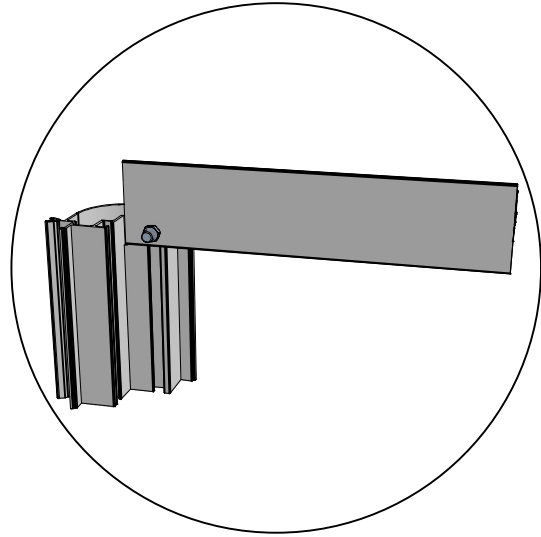




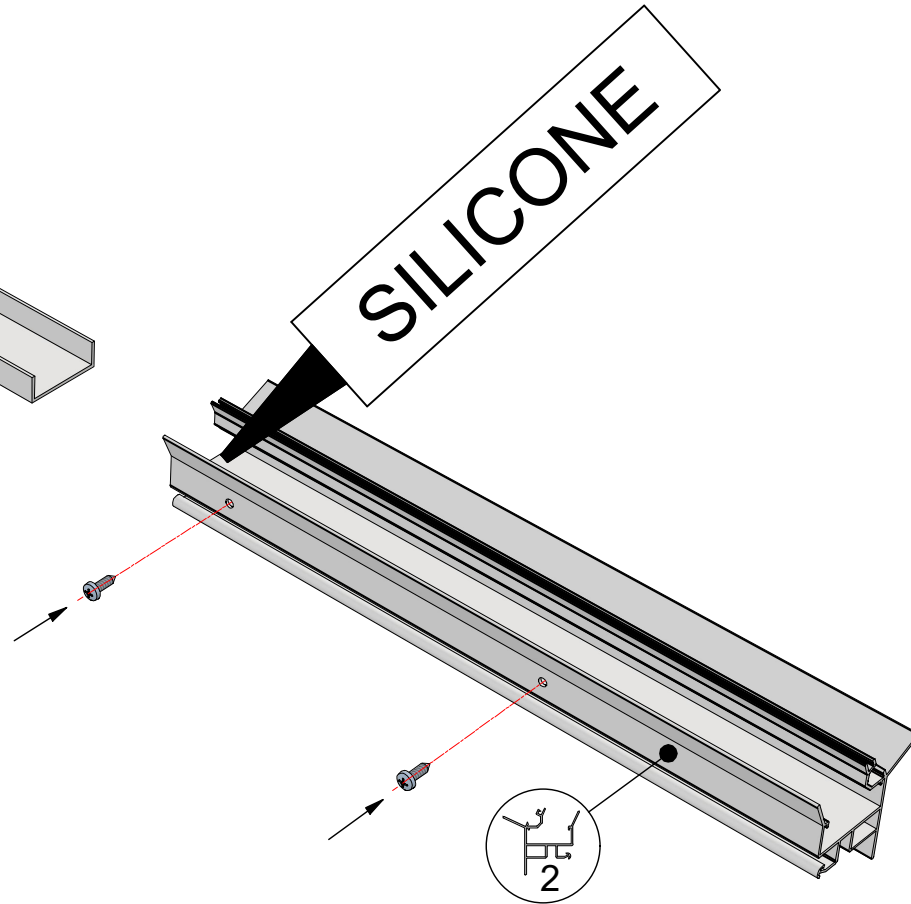
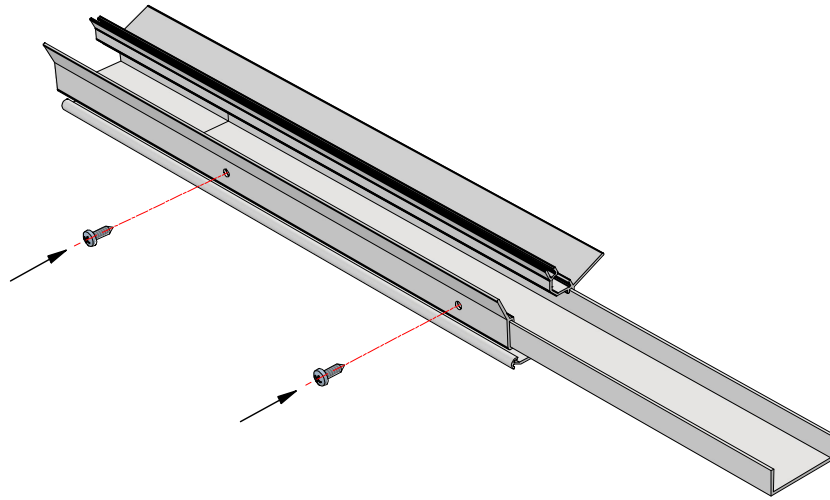
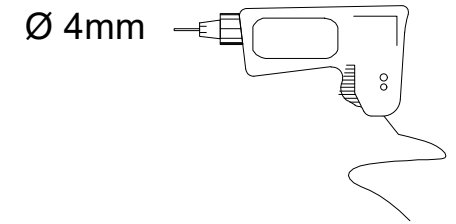
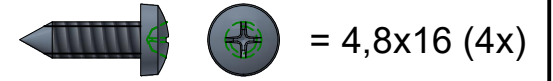
 = M6x12 (8x)



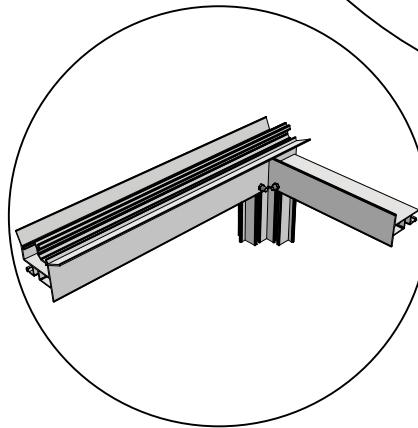
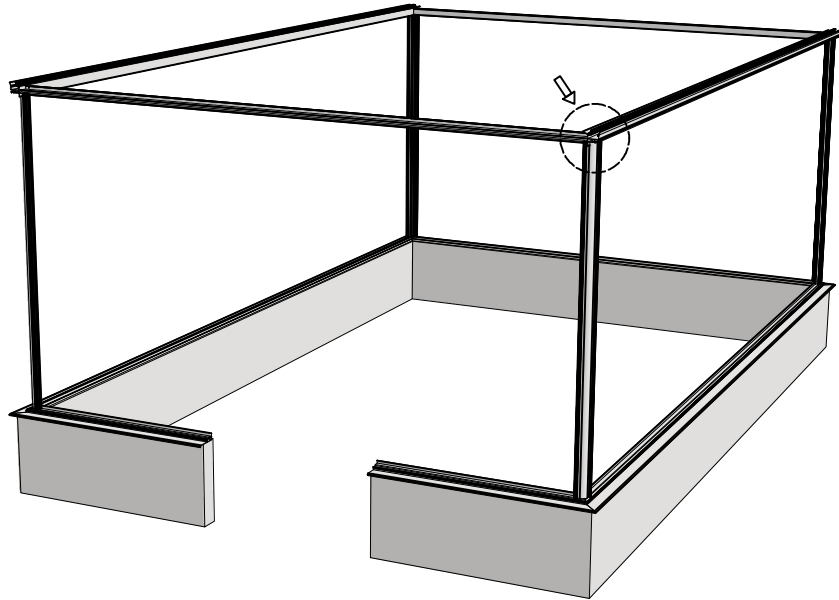
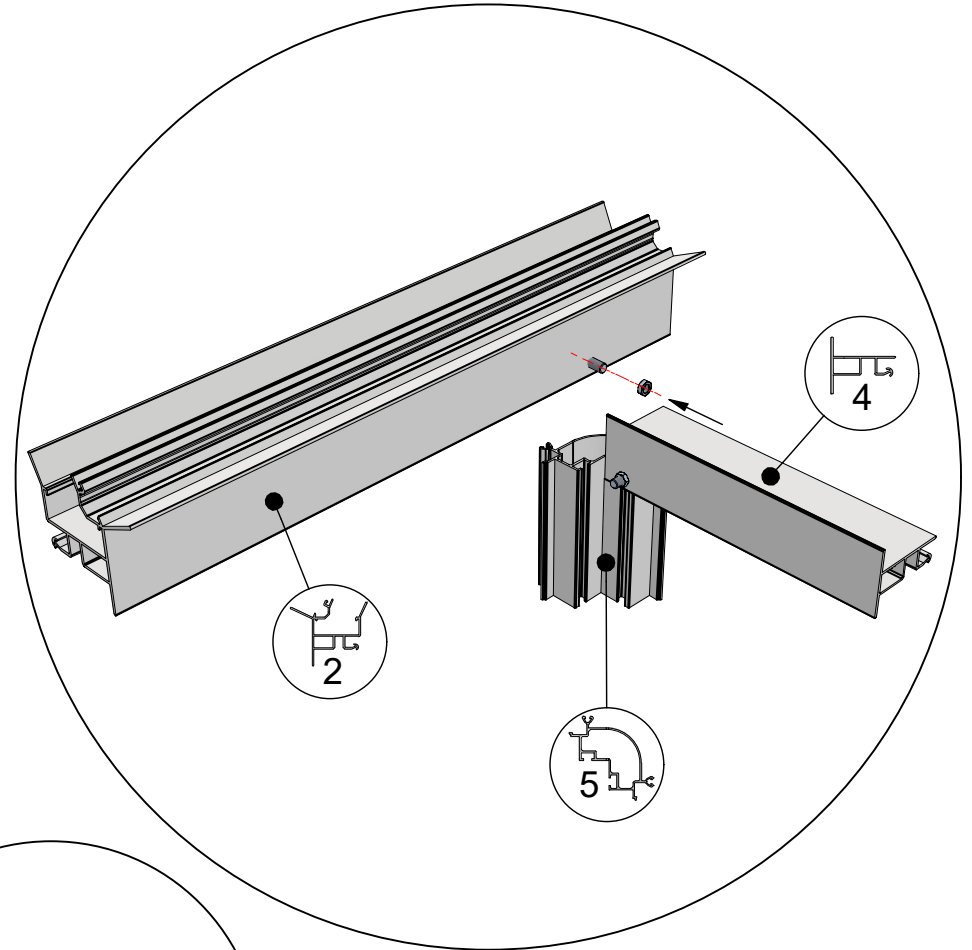
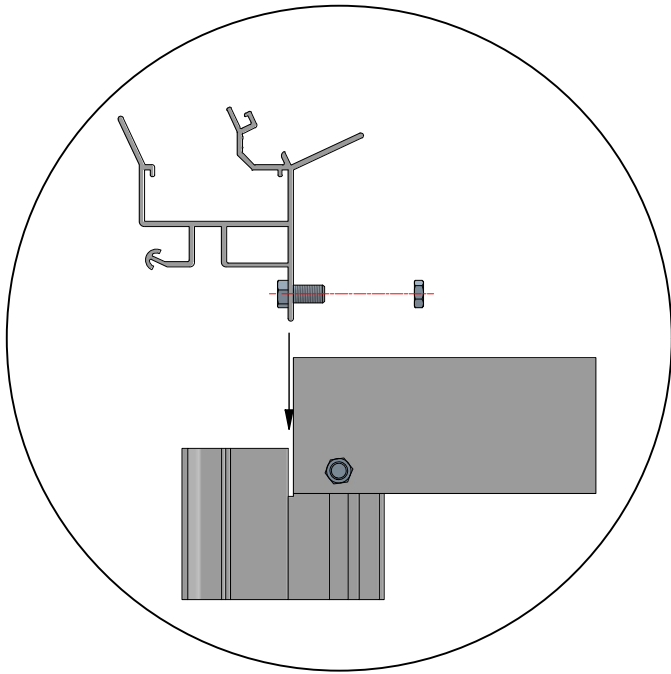
 = M6x12 (4x)




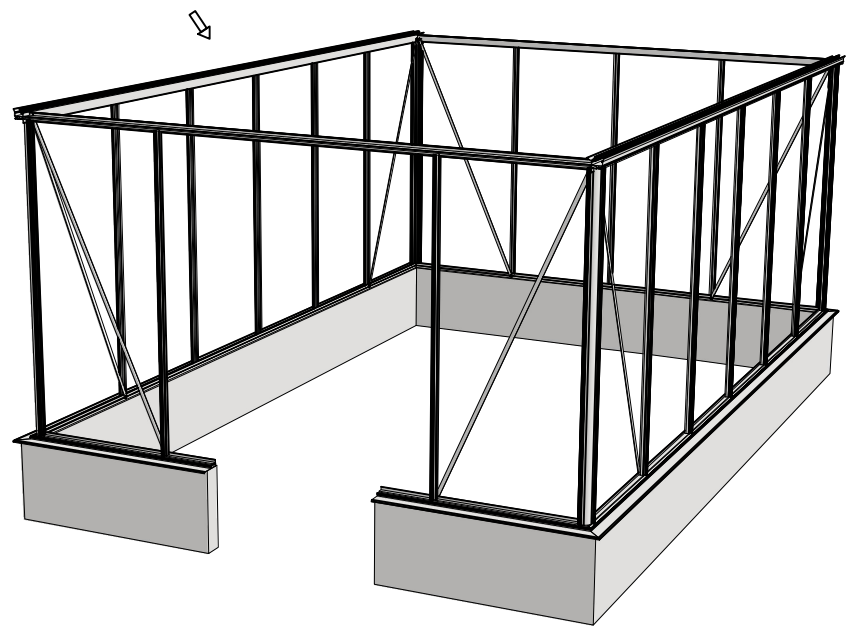
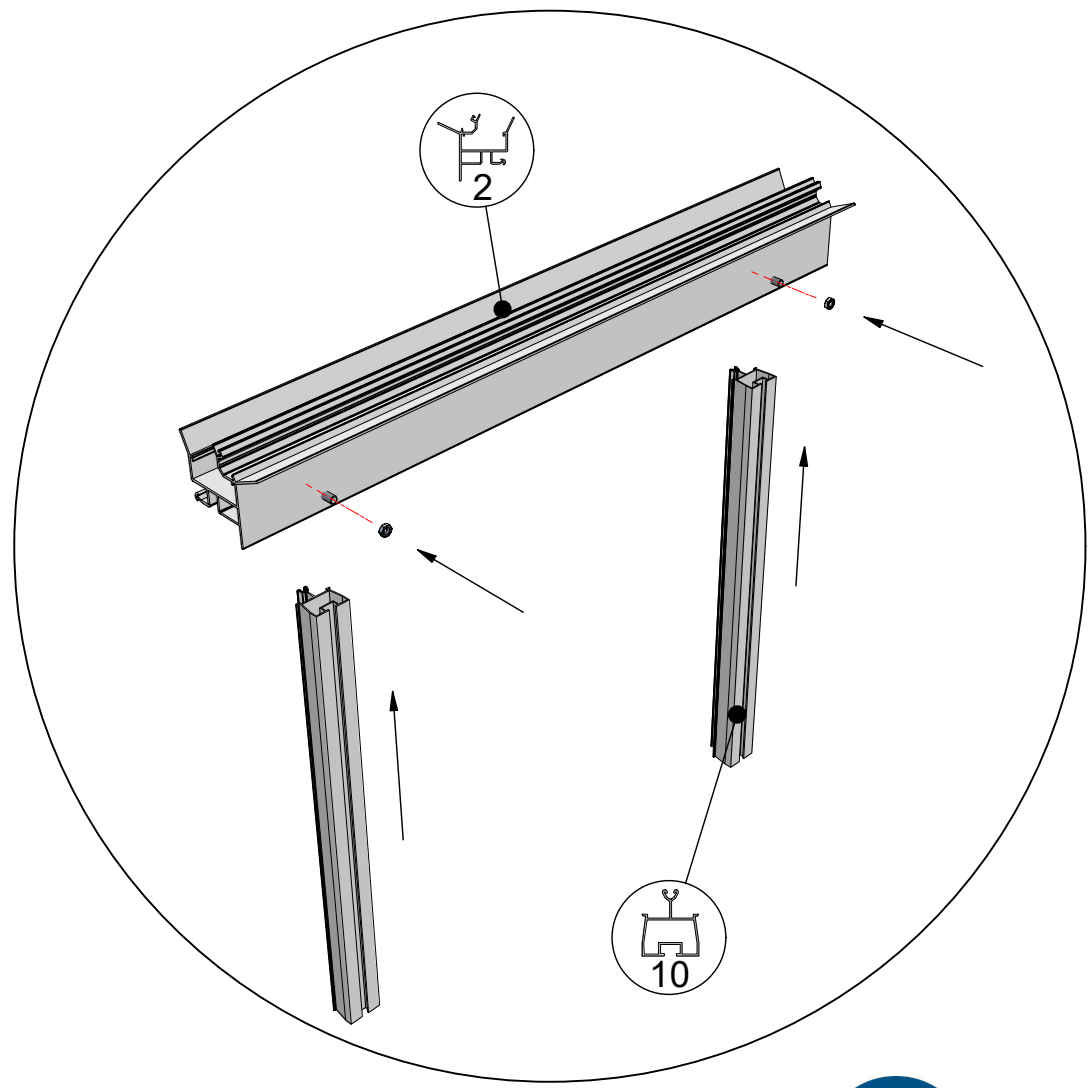
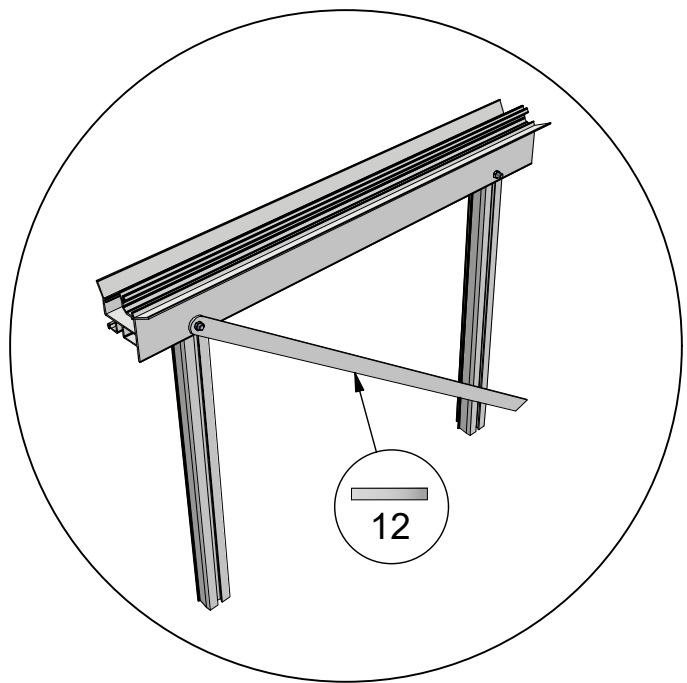
Euro-Maxi > 6,04 + 6,77 + 7,53 + 8,30



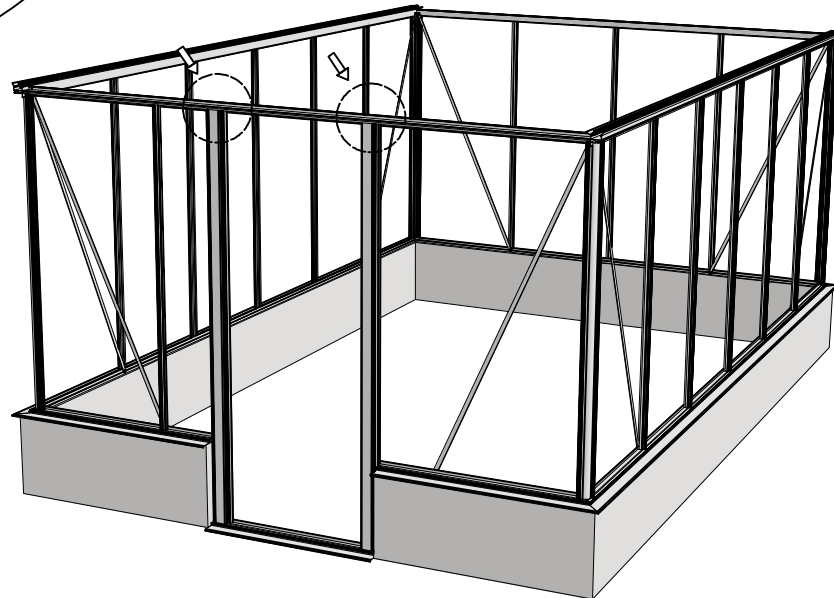
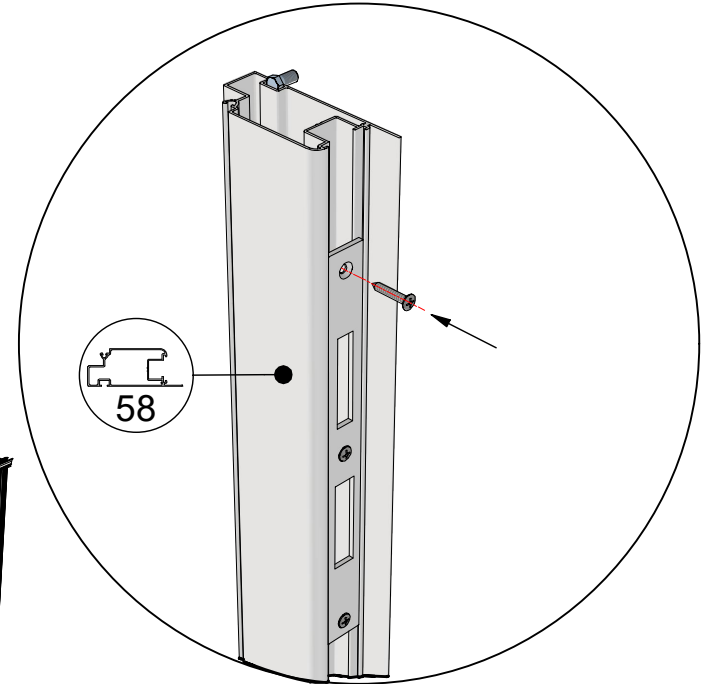
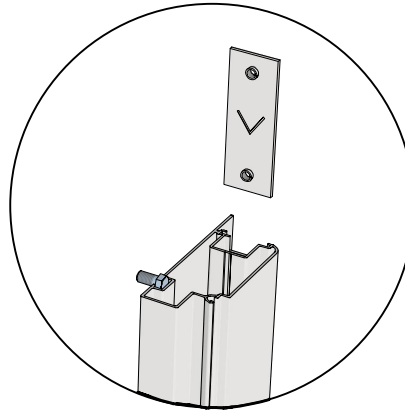
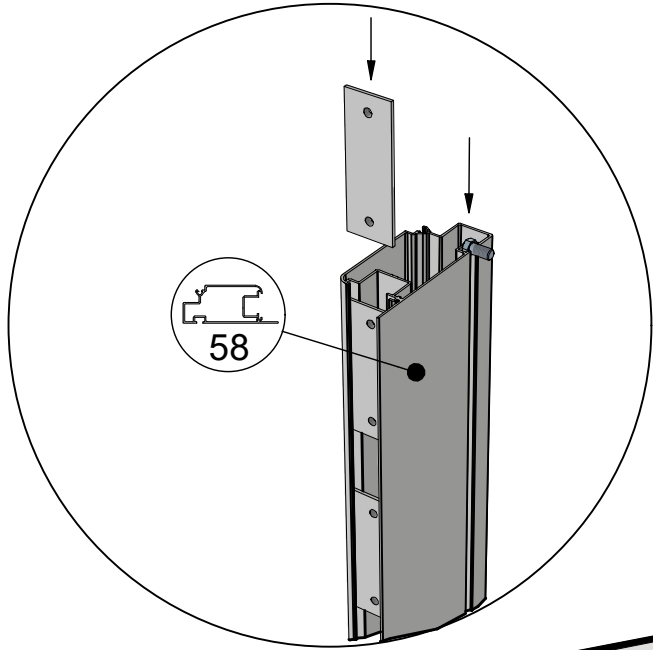
 = M6x12 (4x)



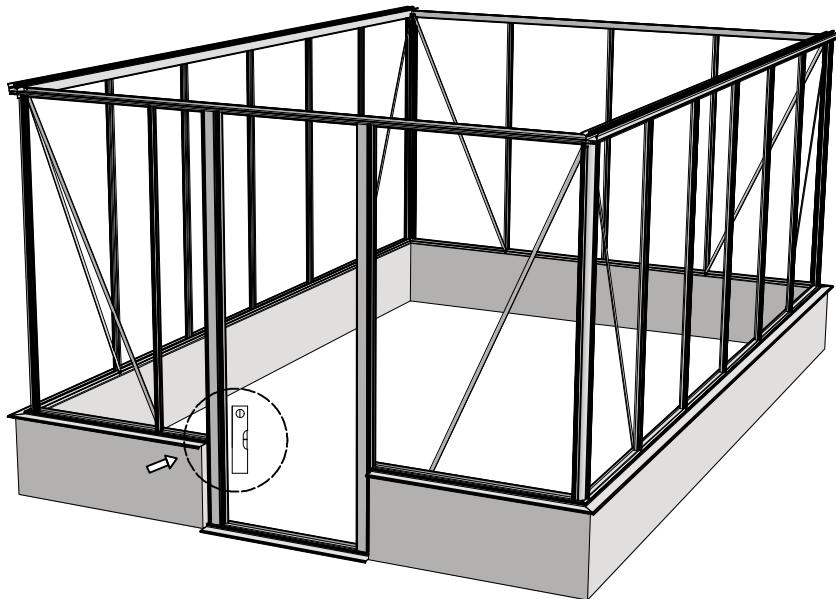
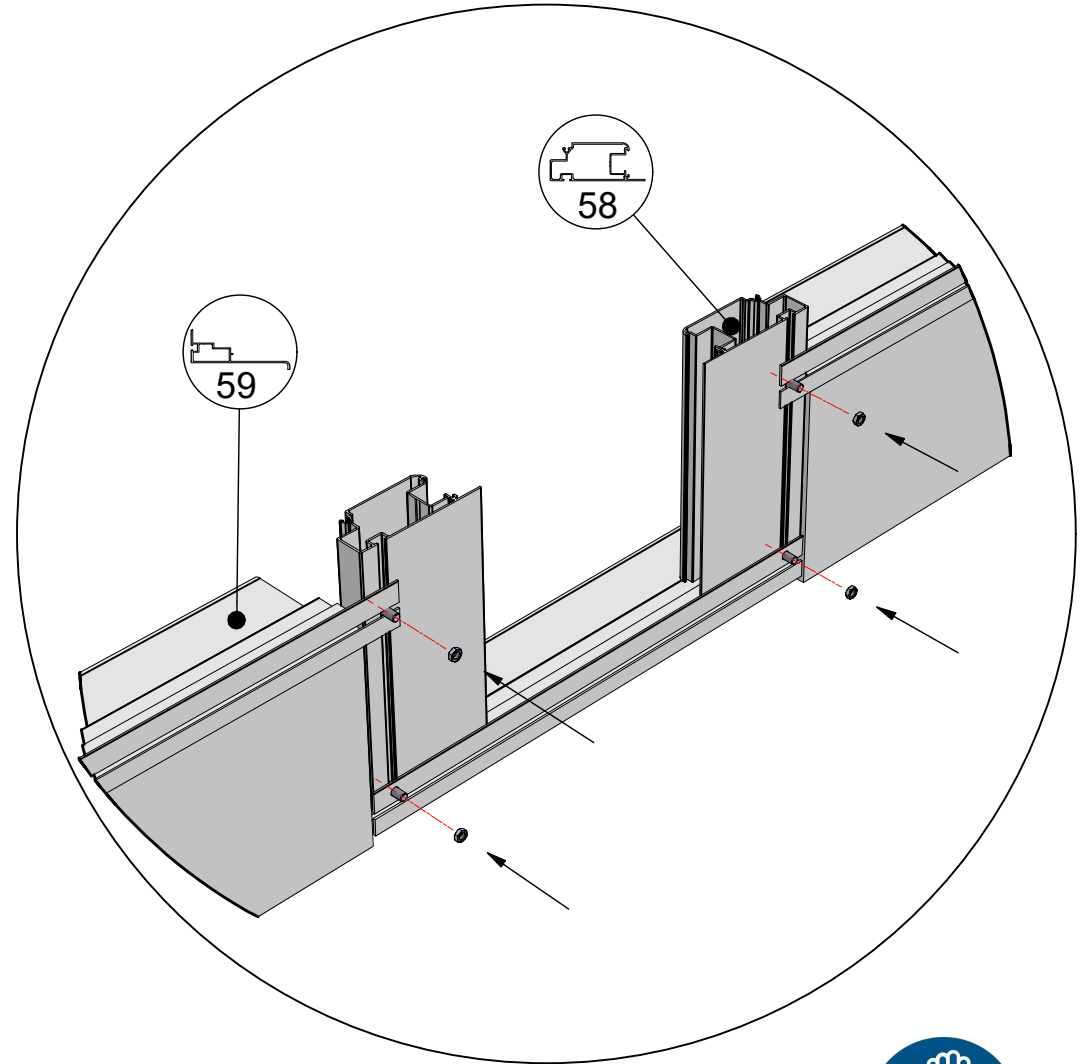
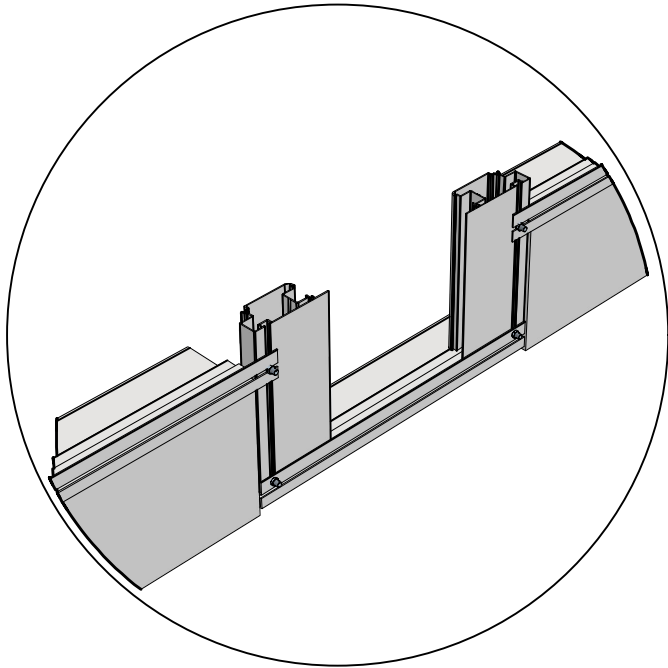
 = M6x12



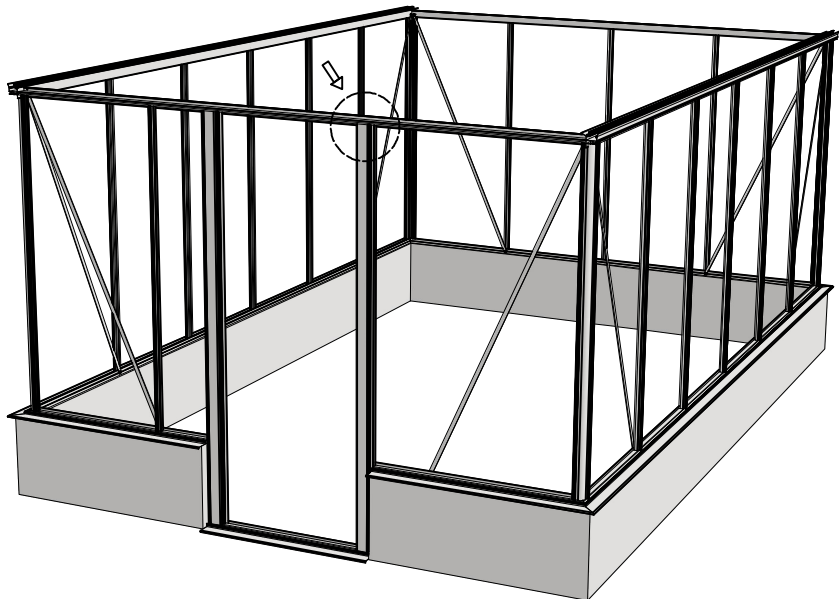
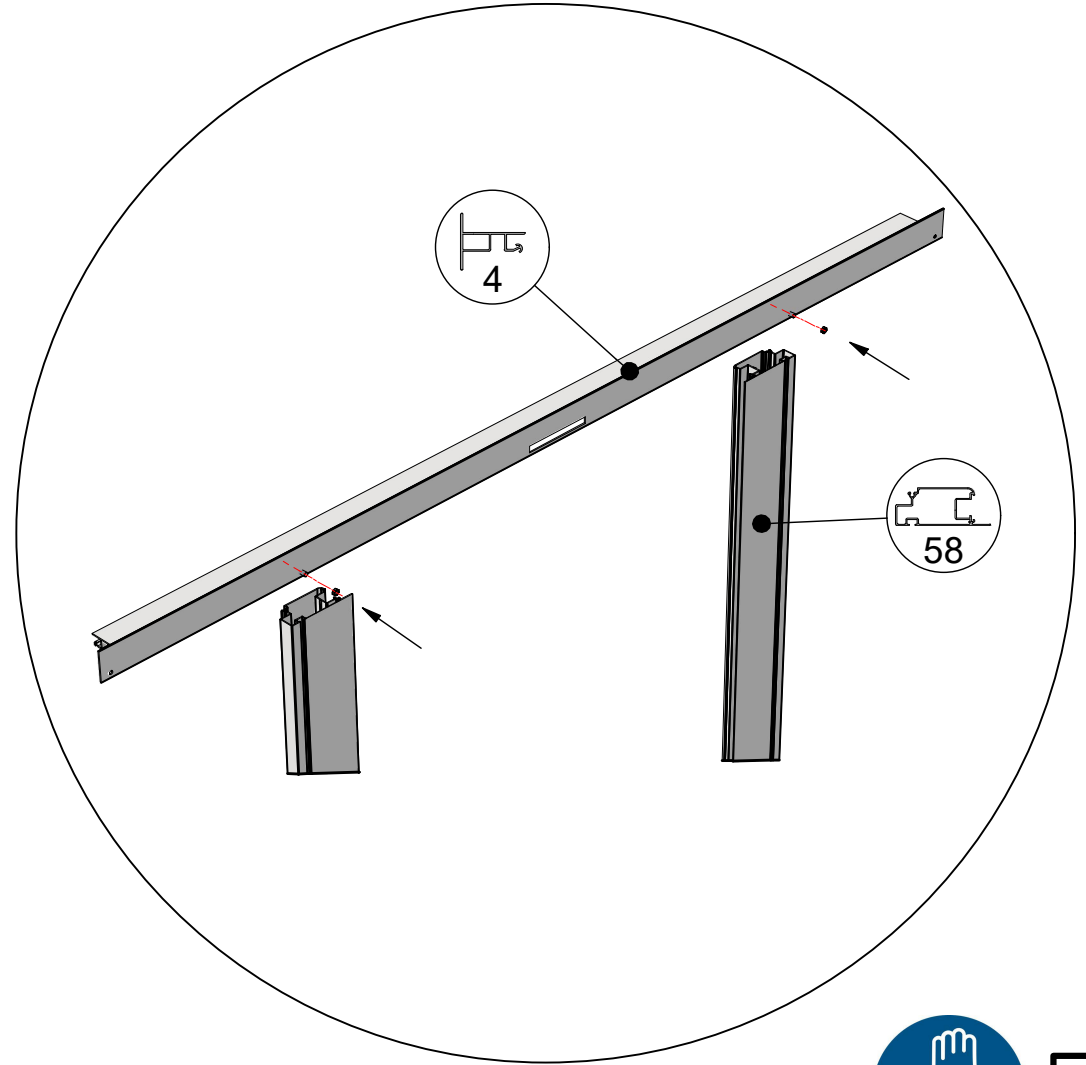
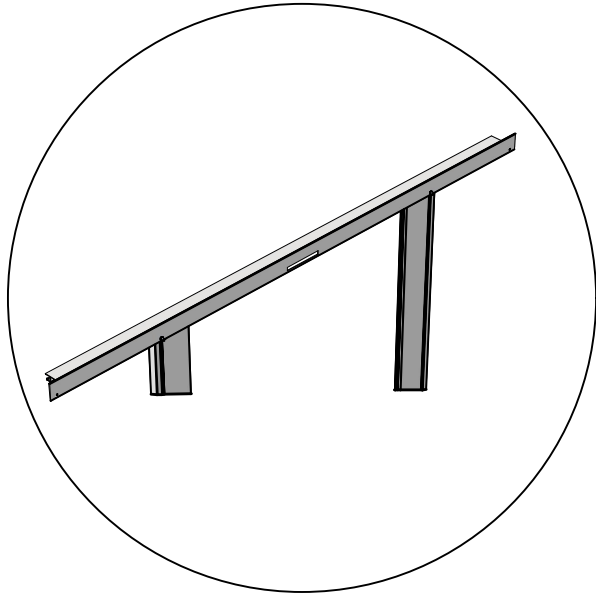
 = 4,2X25 (3x)




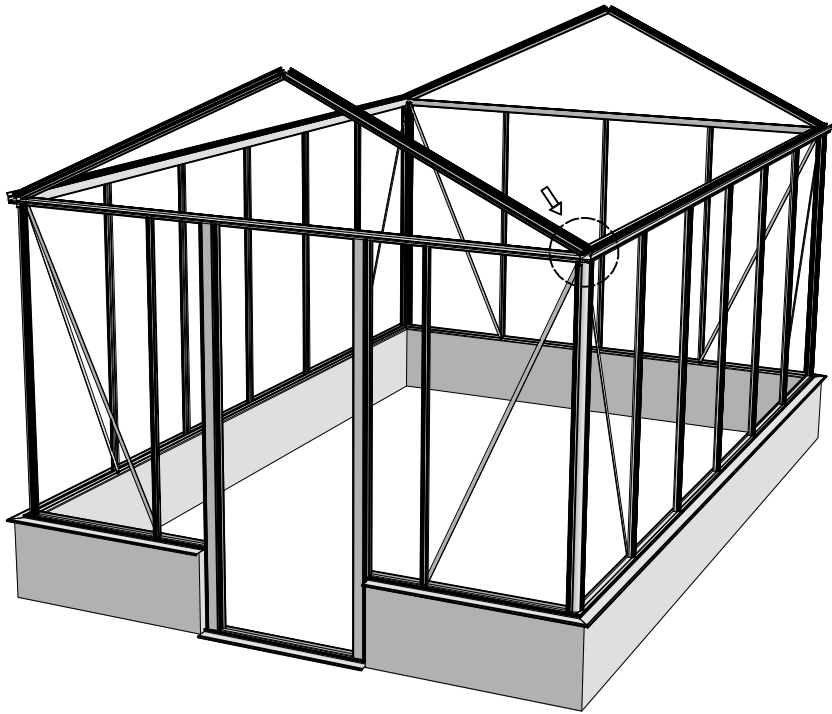
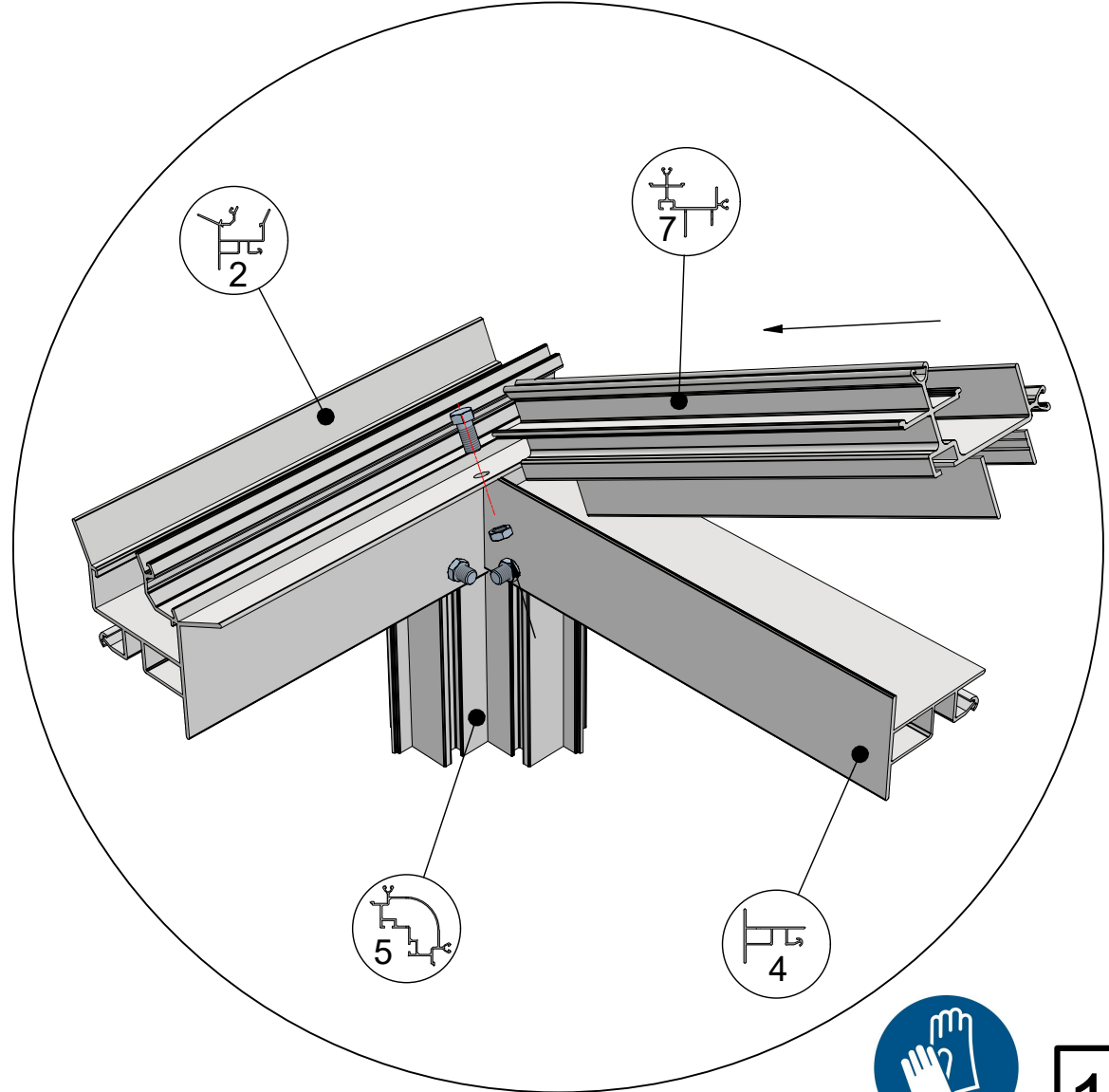
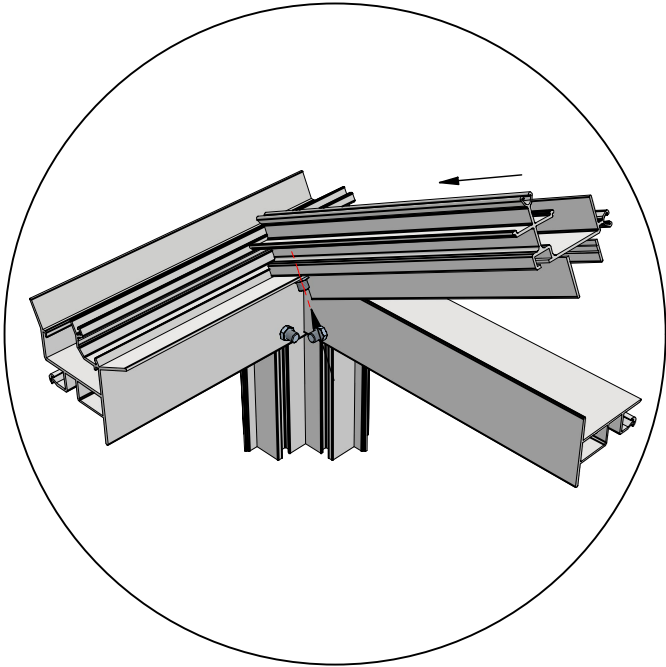
 = M6x12 (4x)



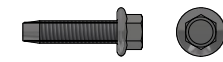
 = M6x12 (2x)

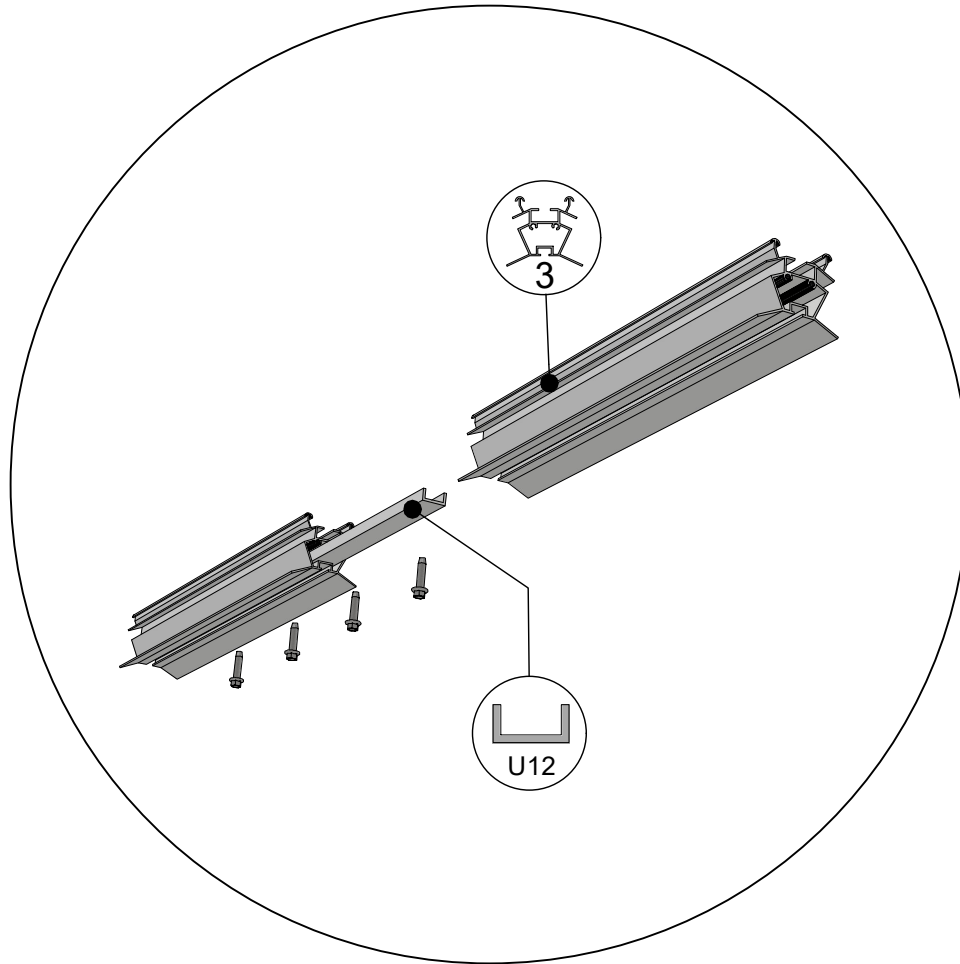


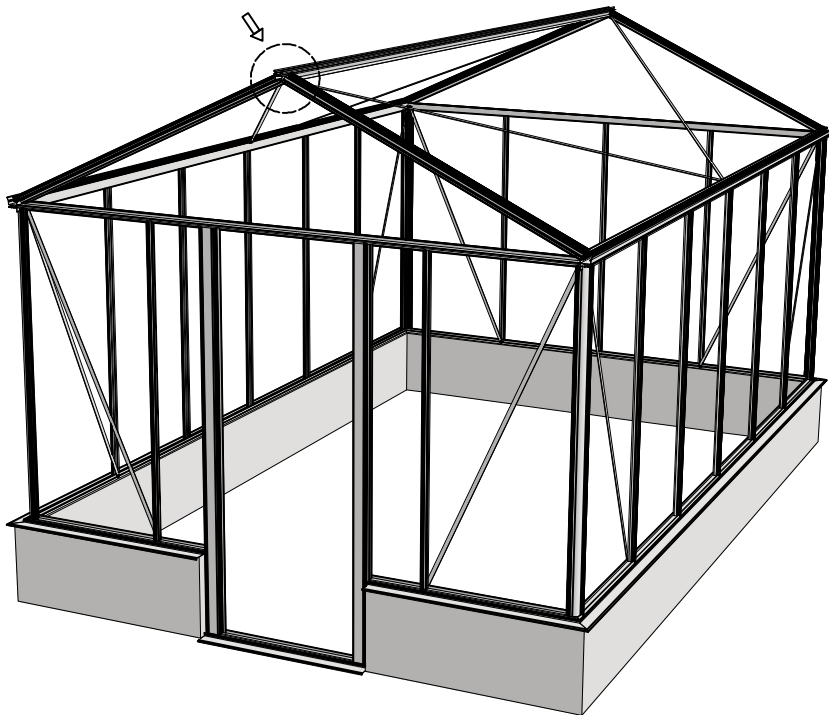
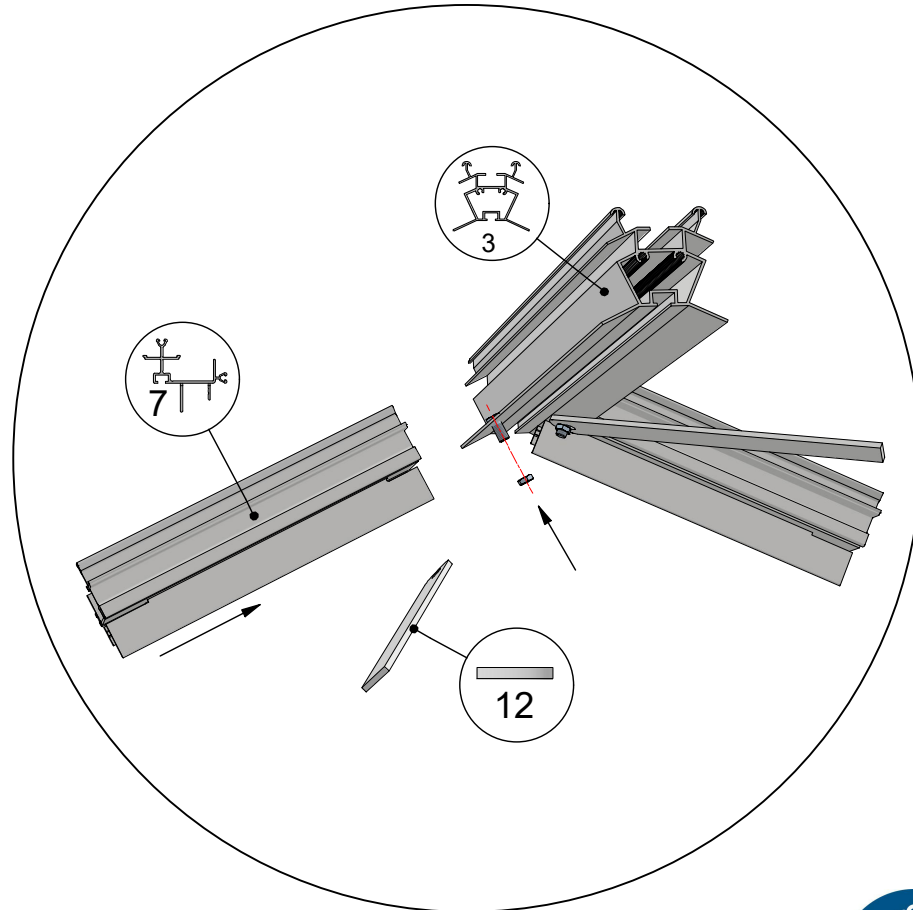
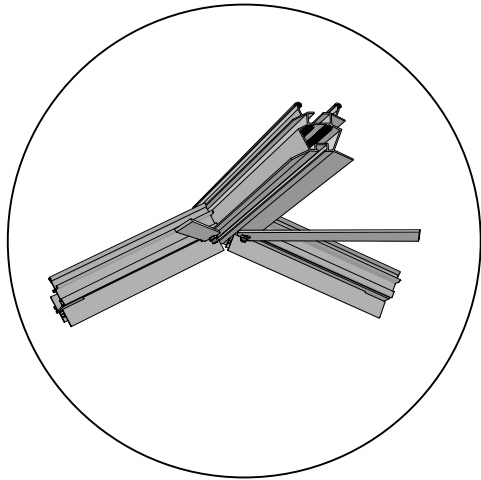
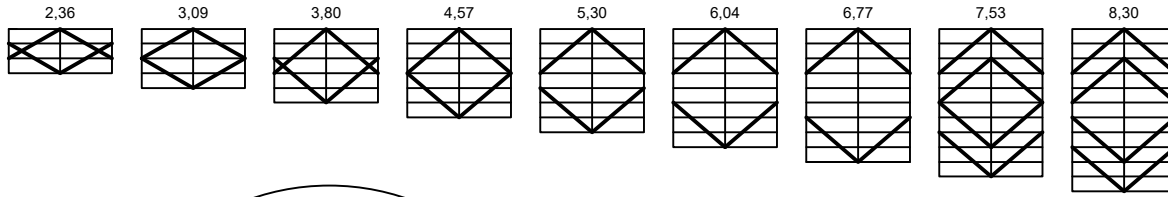
 = M6x12 (4x)



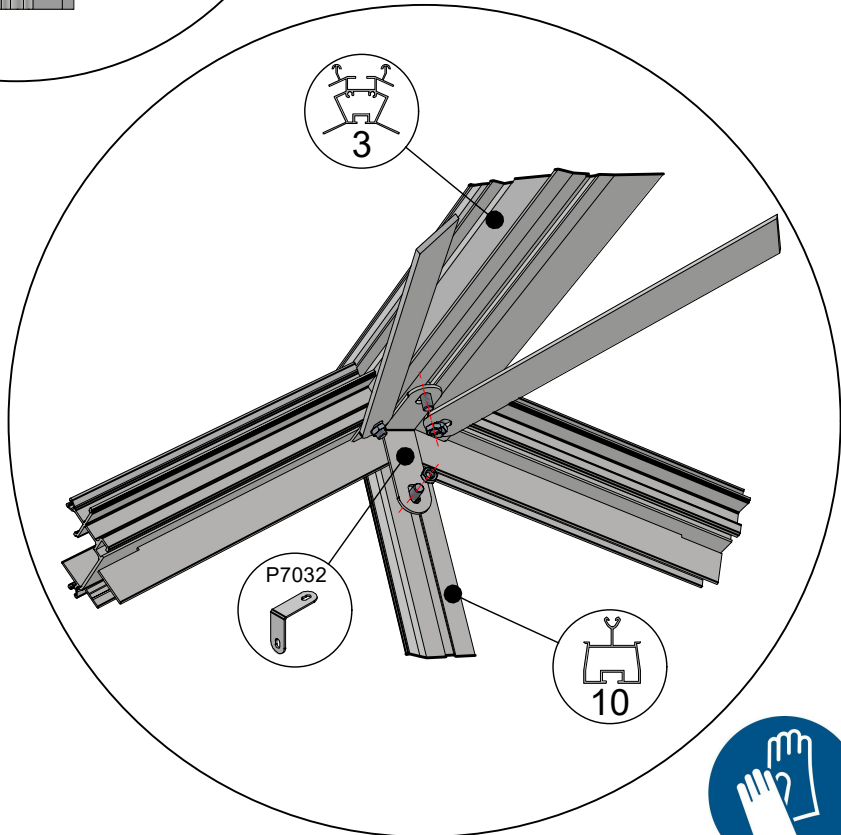
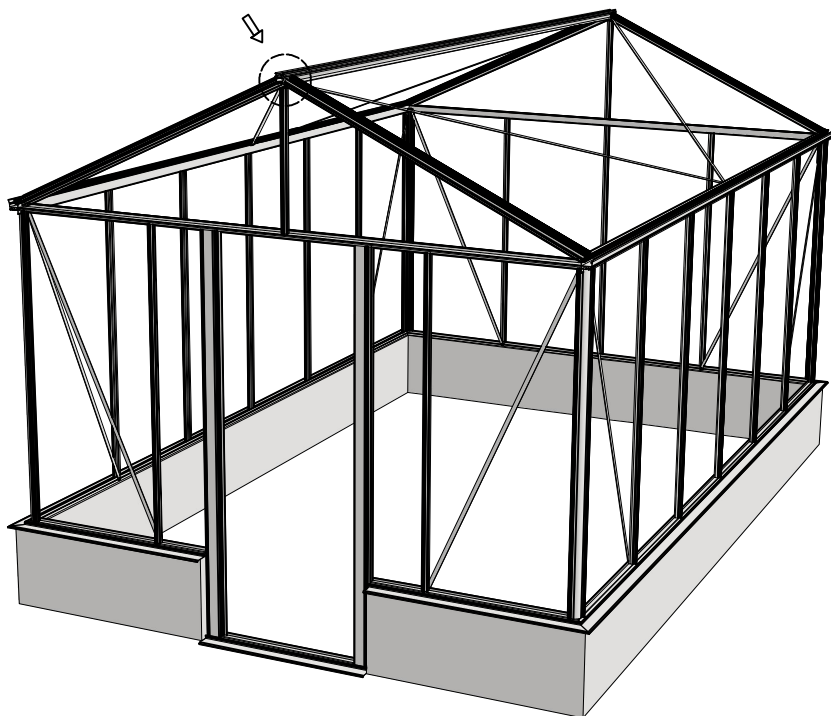
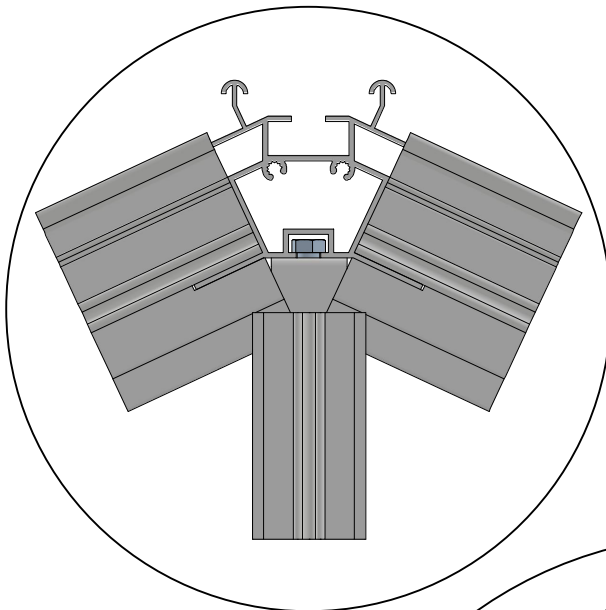
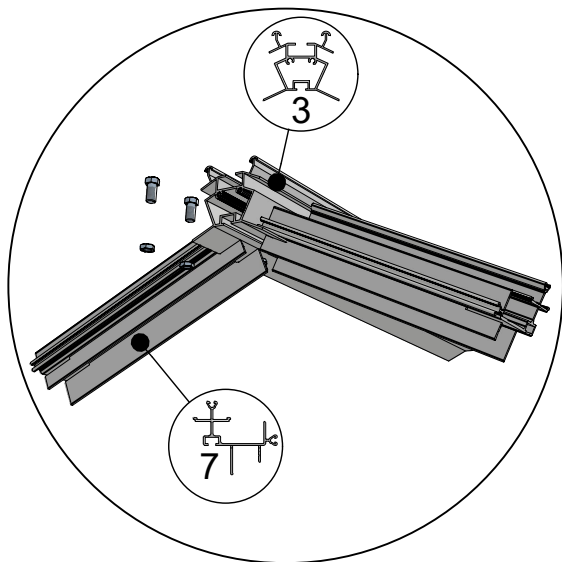
Euro-maxi > 6,04 + 6,77 + 7,53 + 8,30


 = 6x25 (4x)

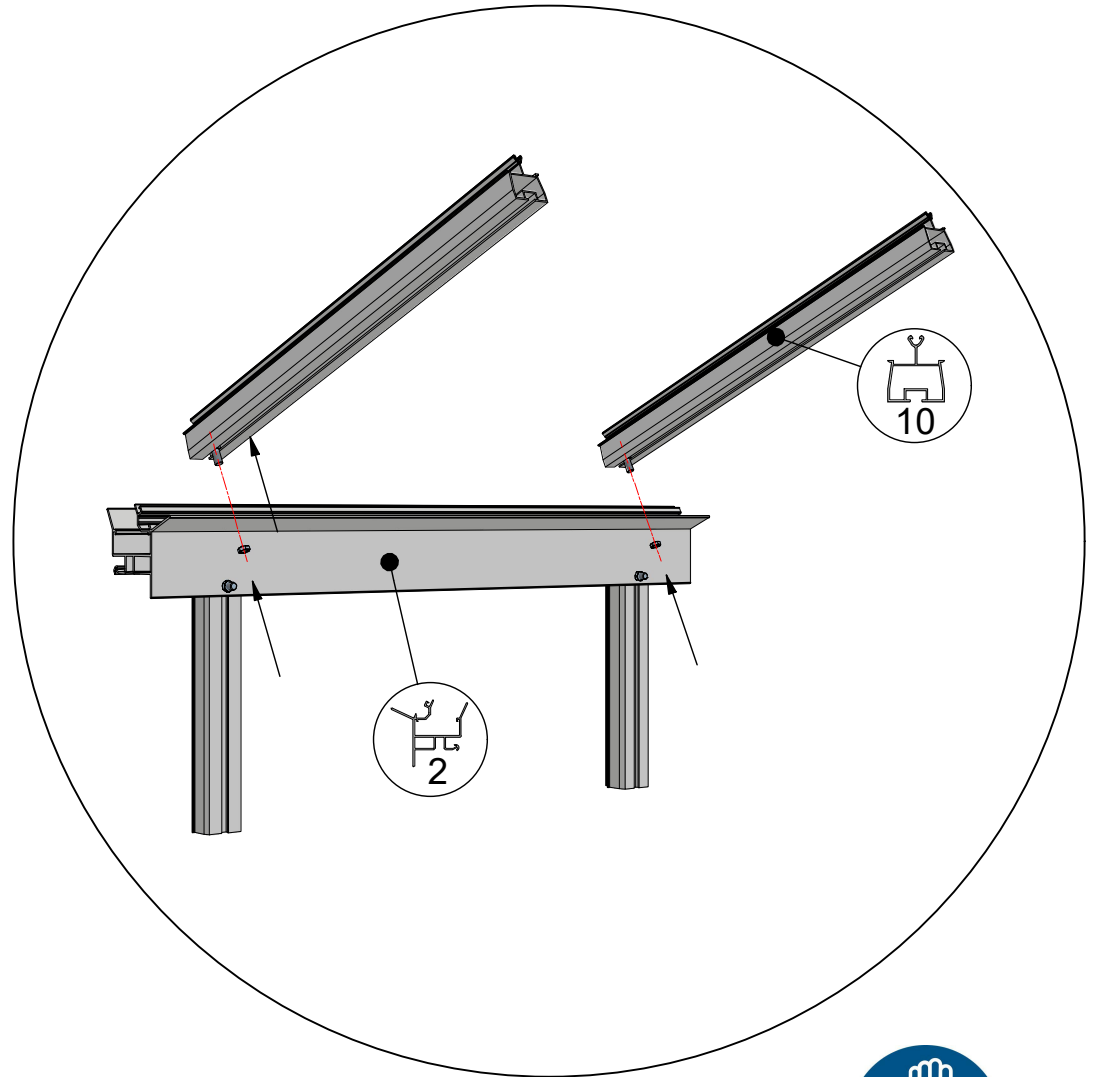
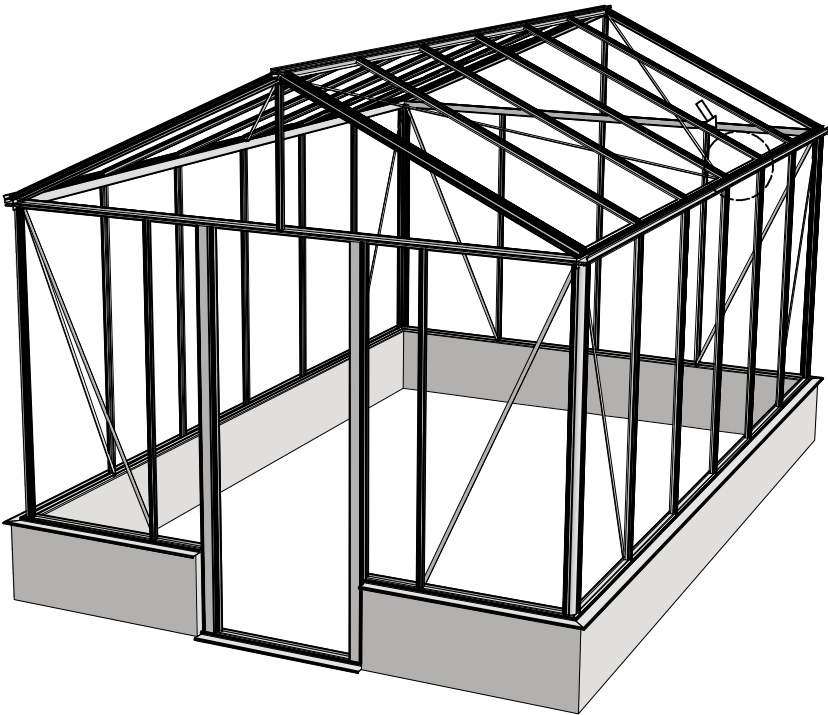
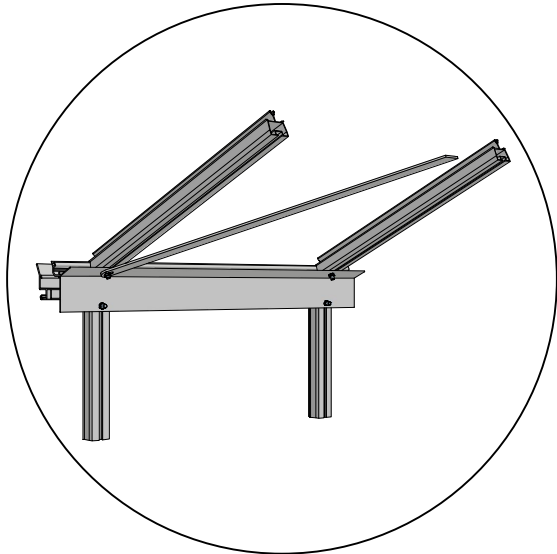


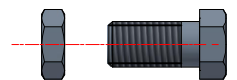


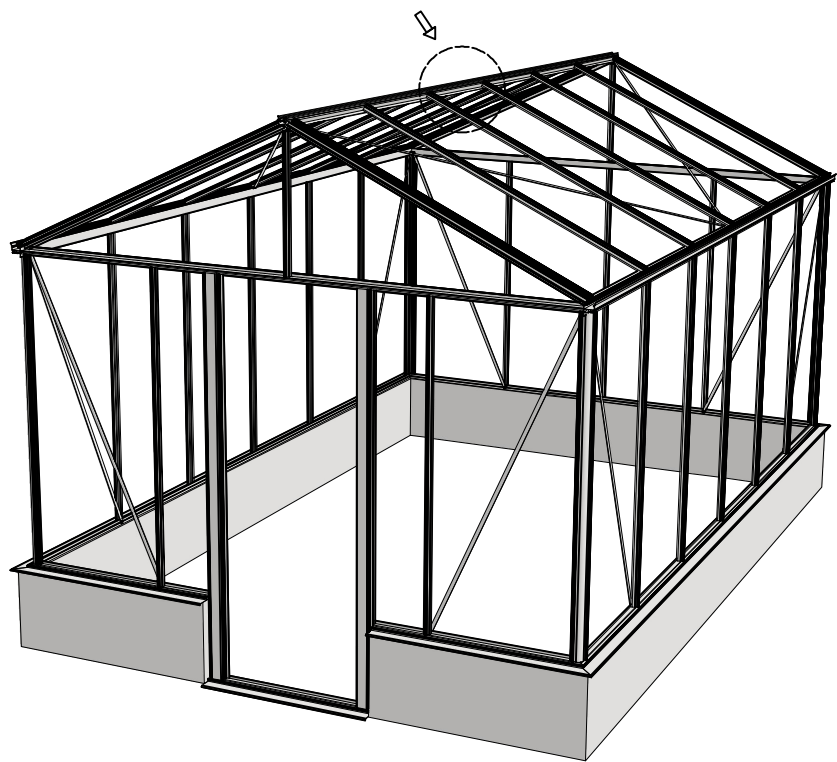
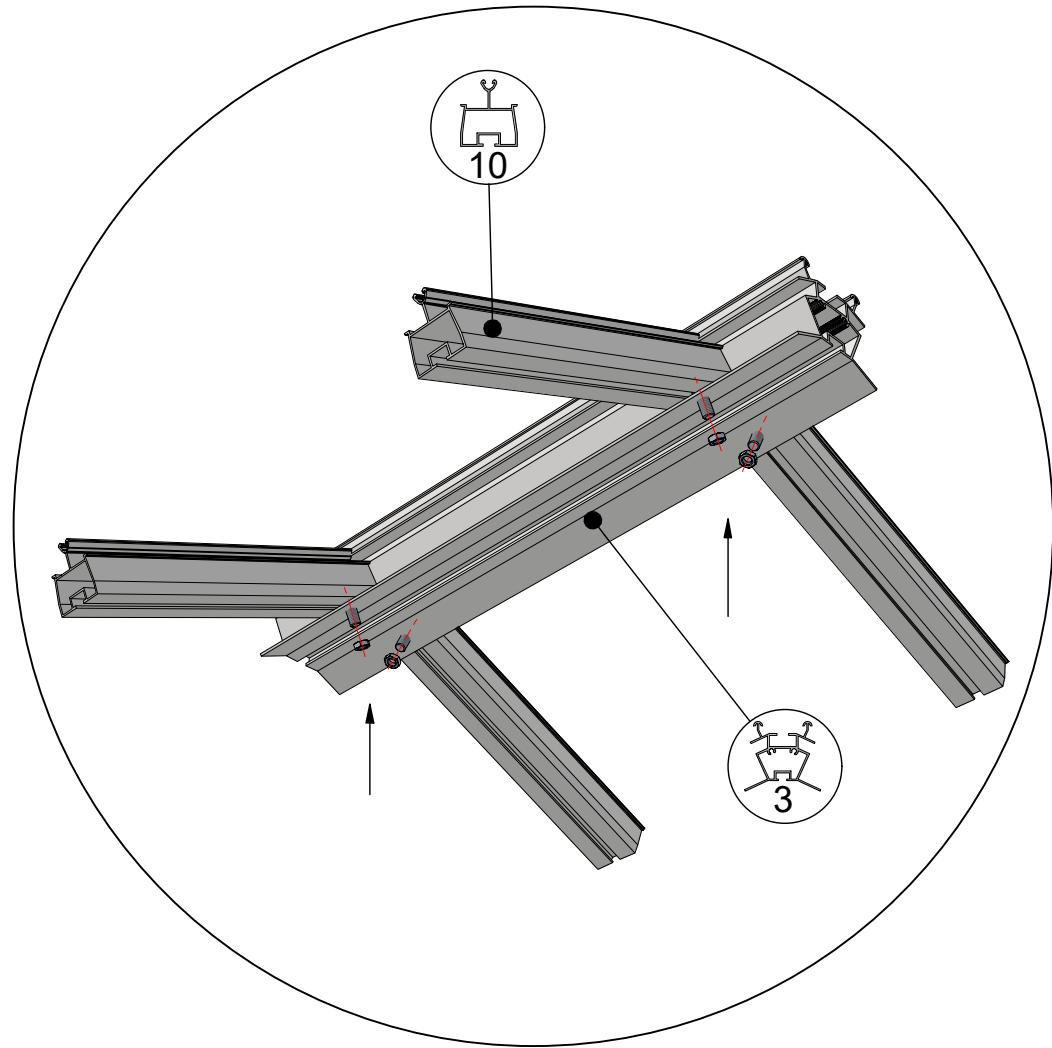
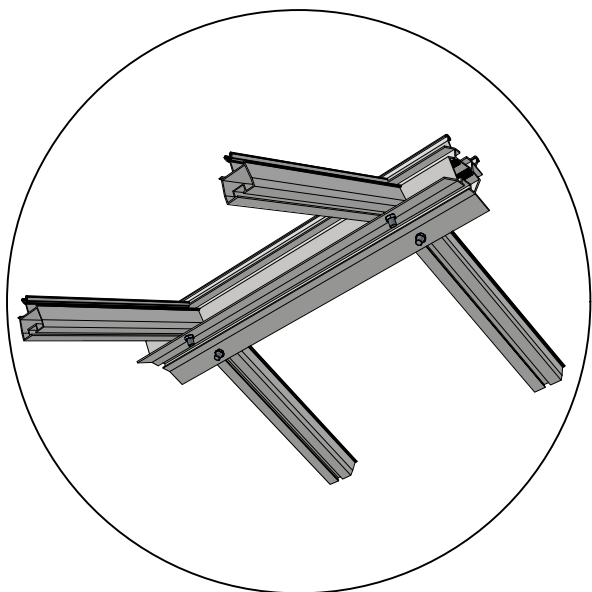
 = M6x12 (4x)



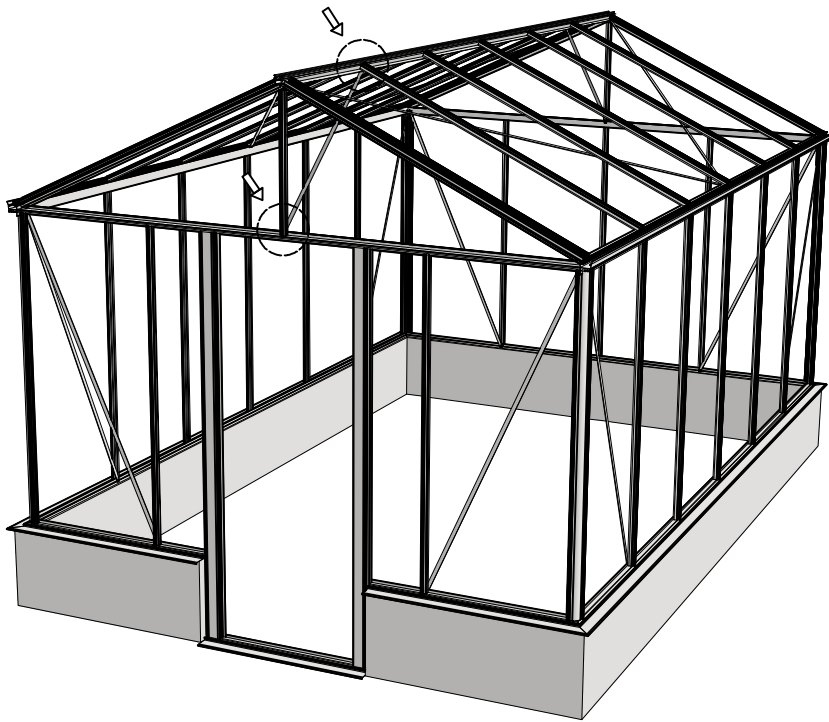
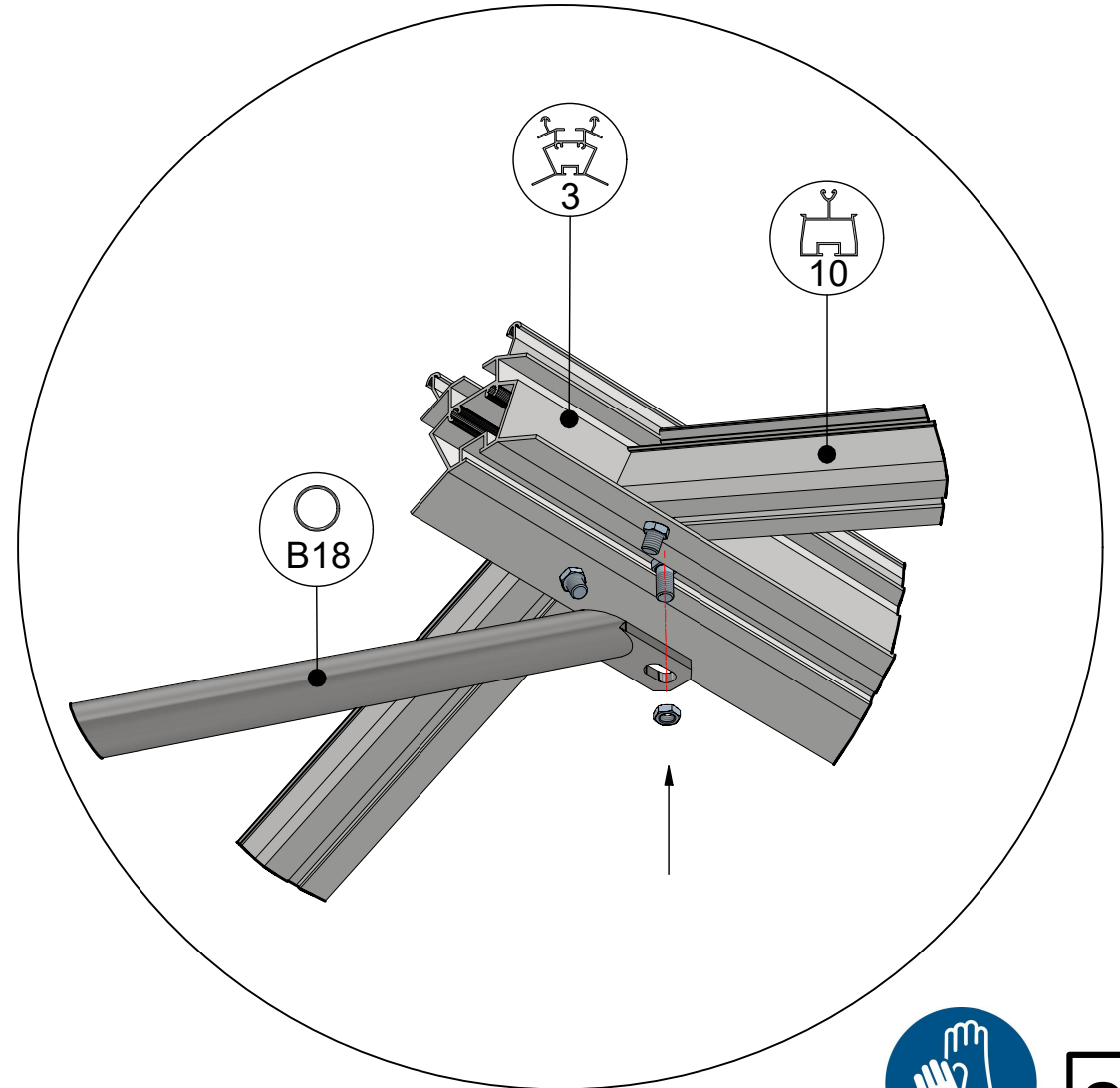
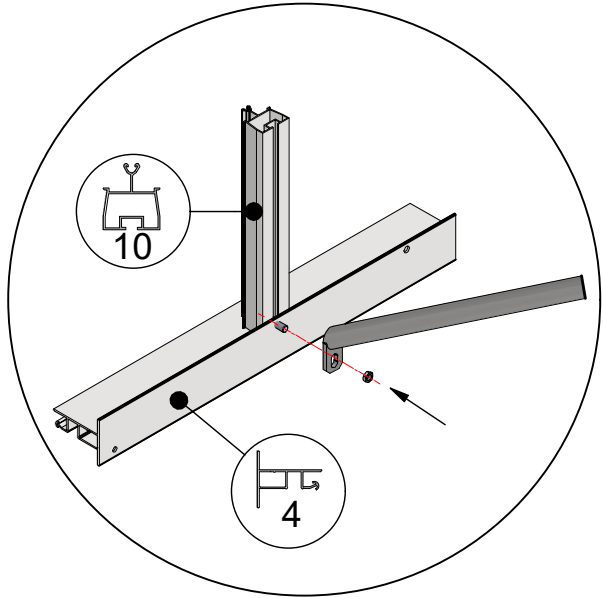
 = M6x12

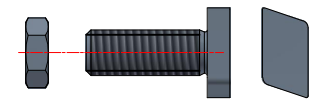


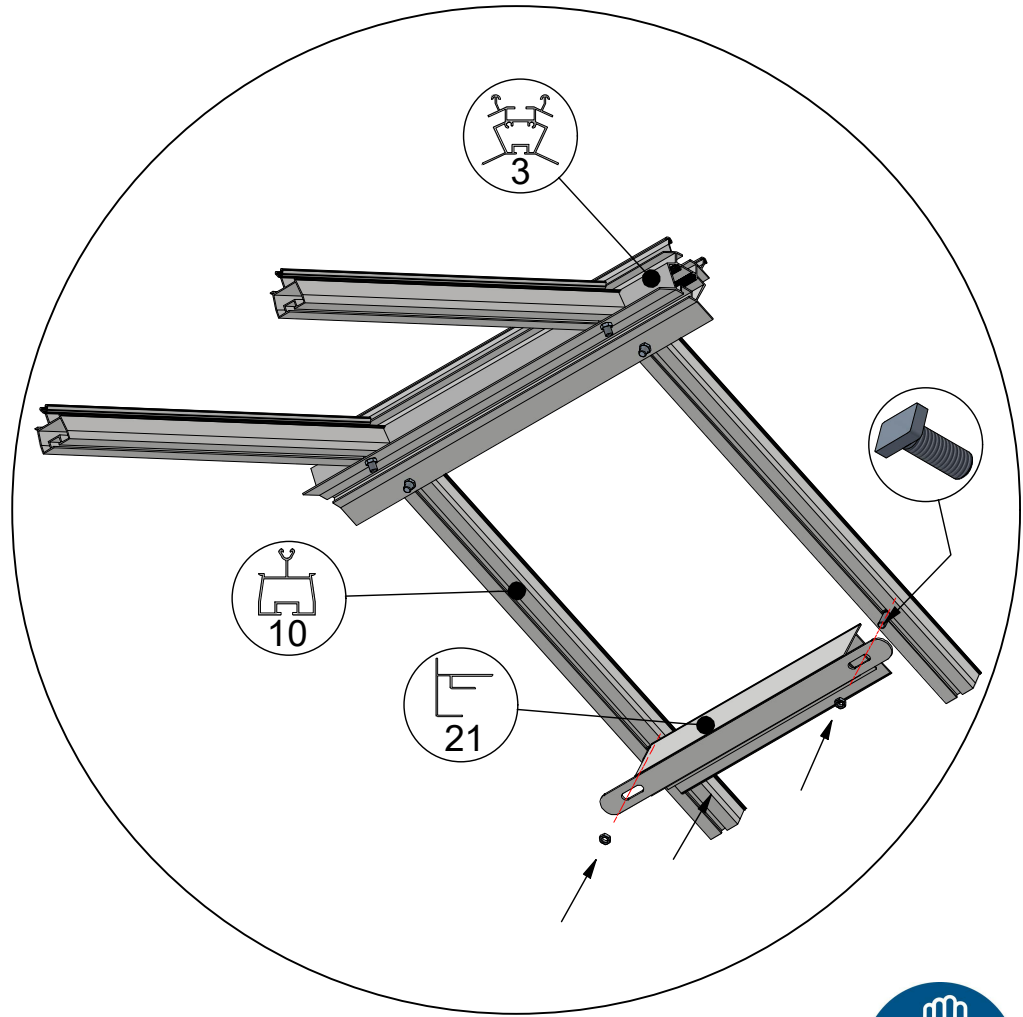
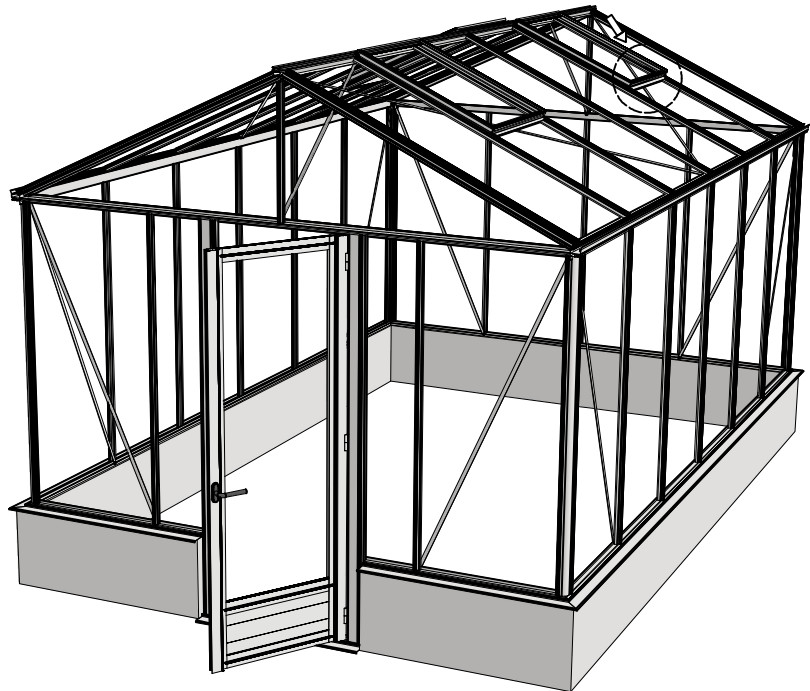
 = M6x12

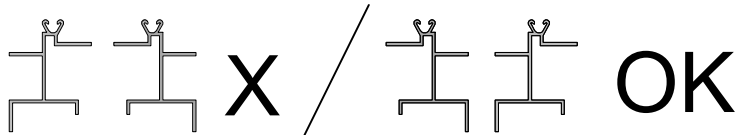
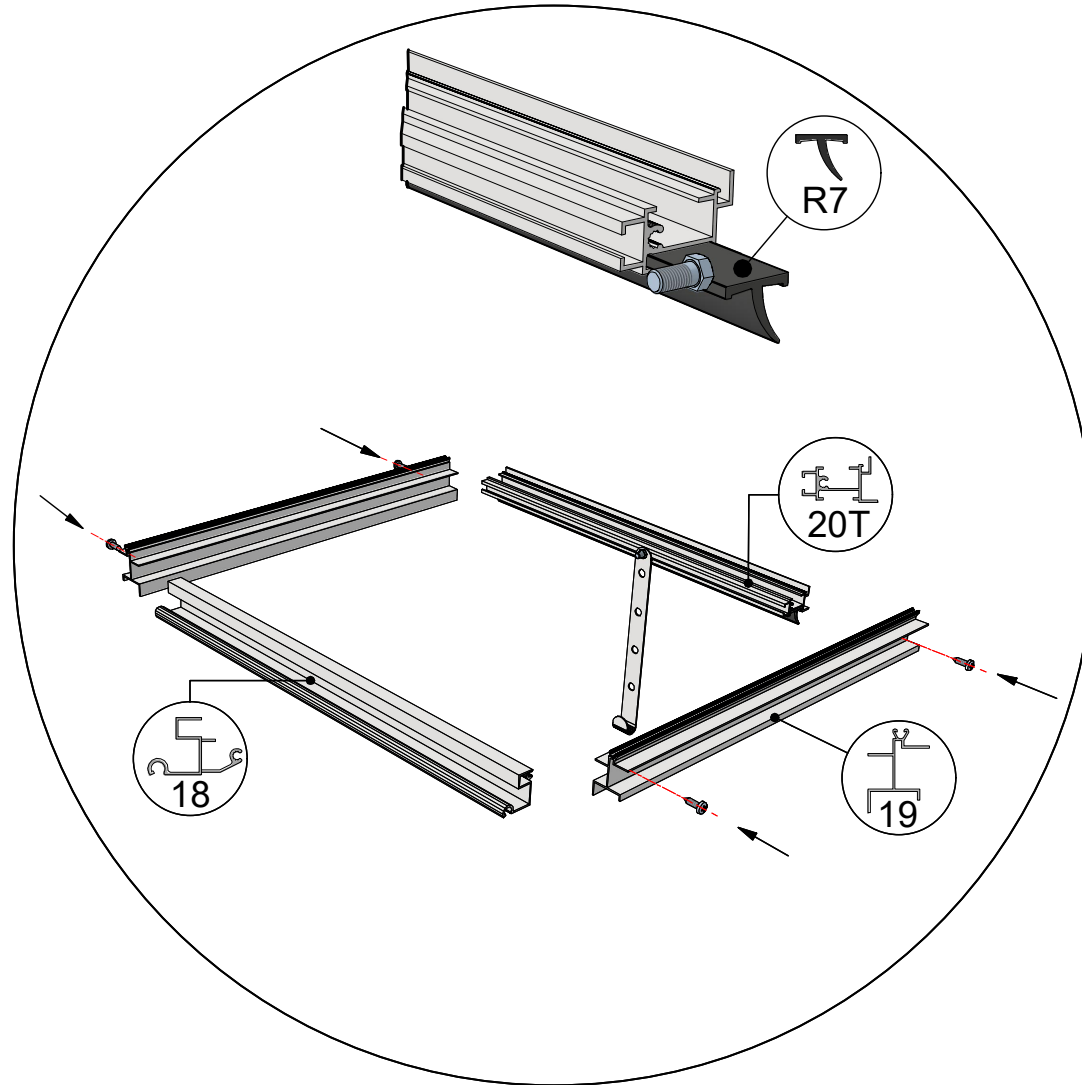
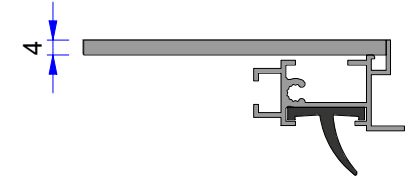
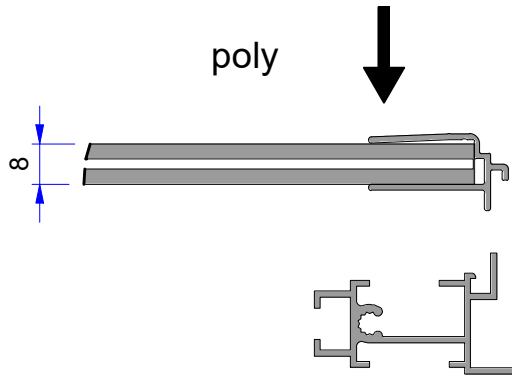


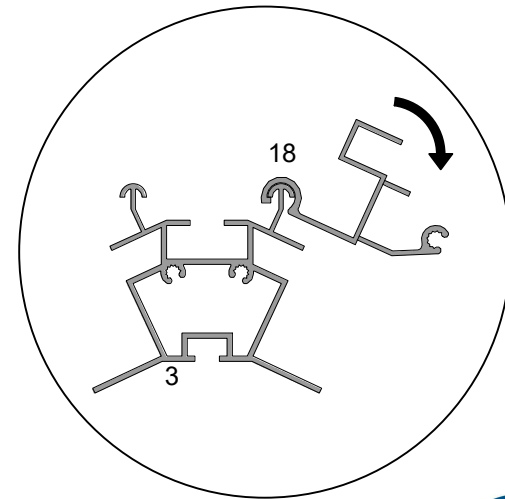
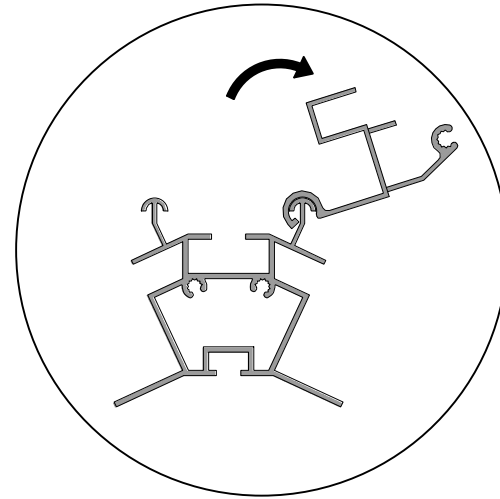
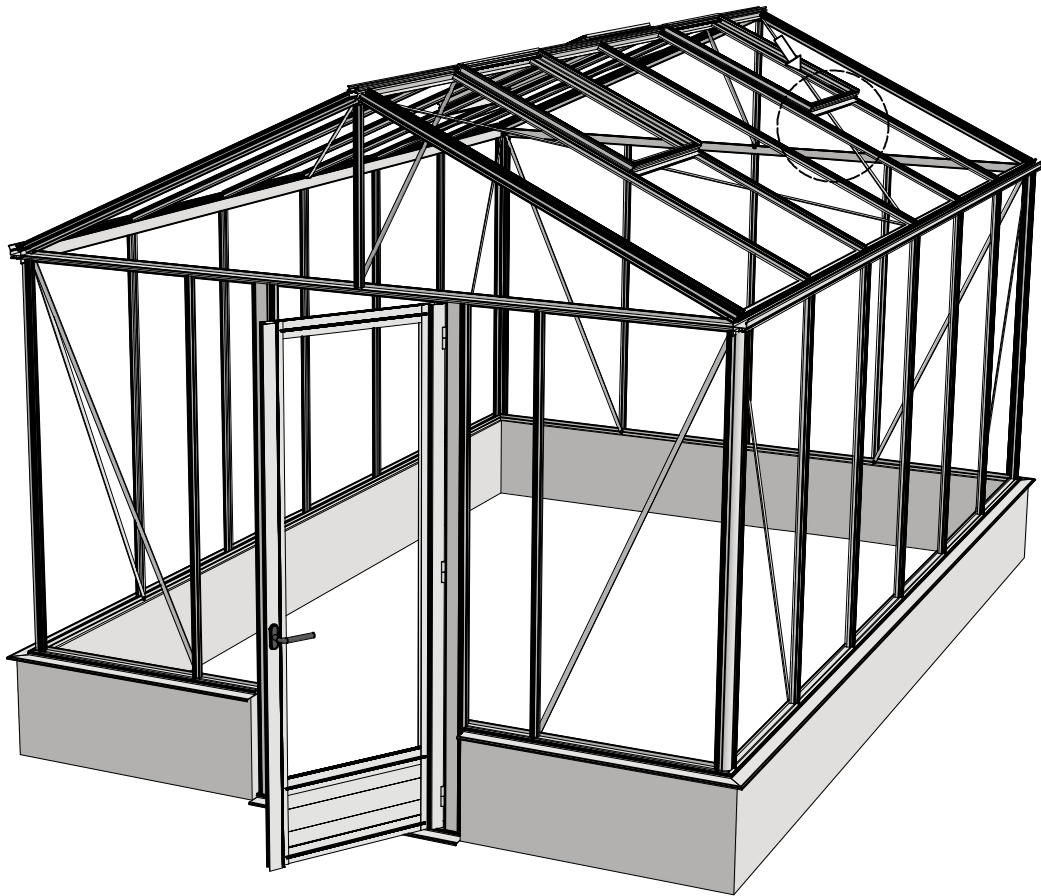
 = M6x12 (4x)




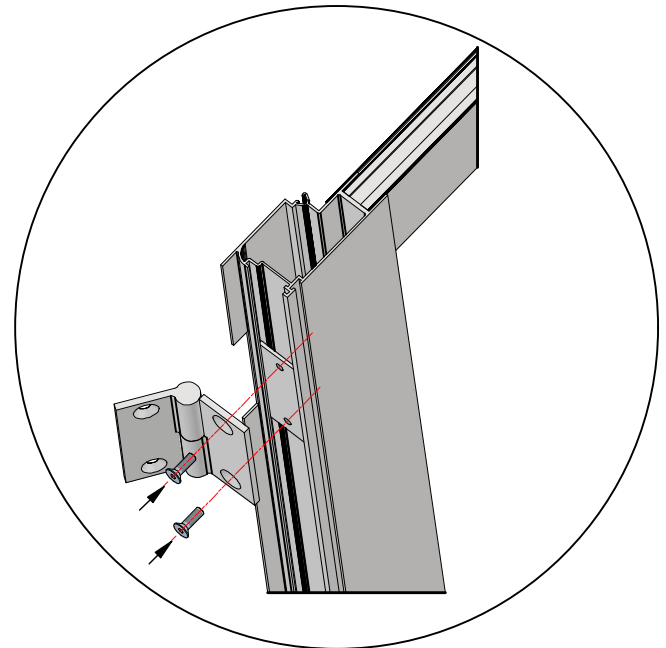
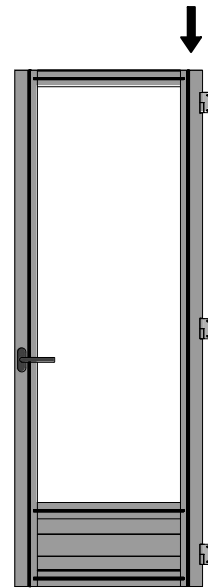
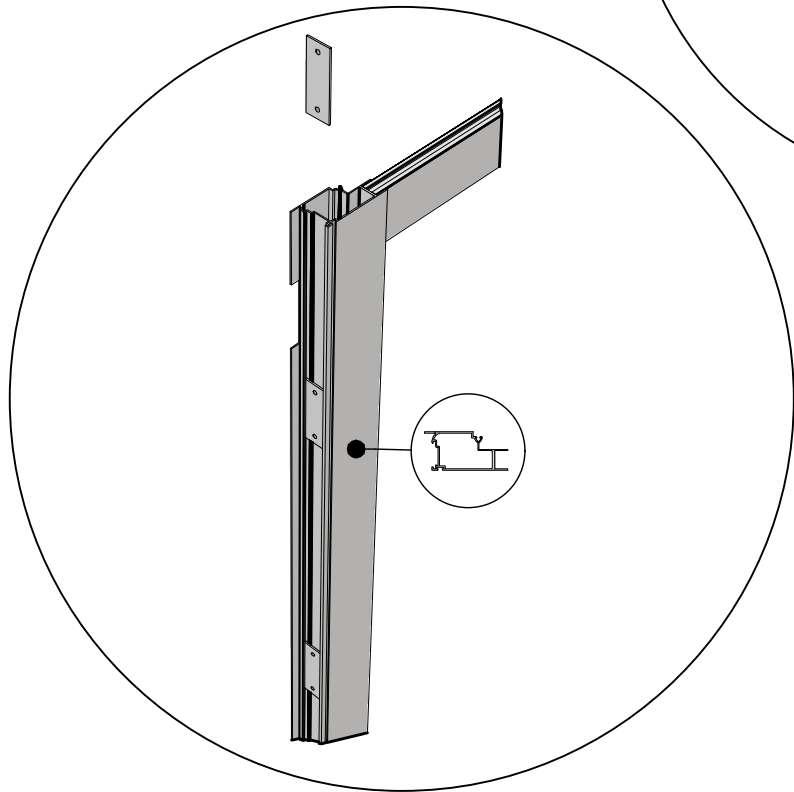
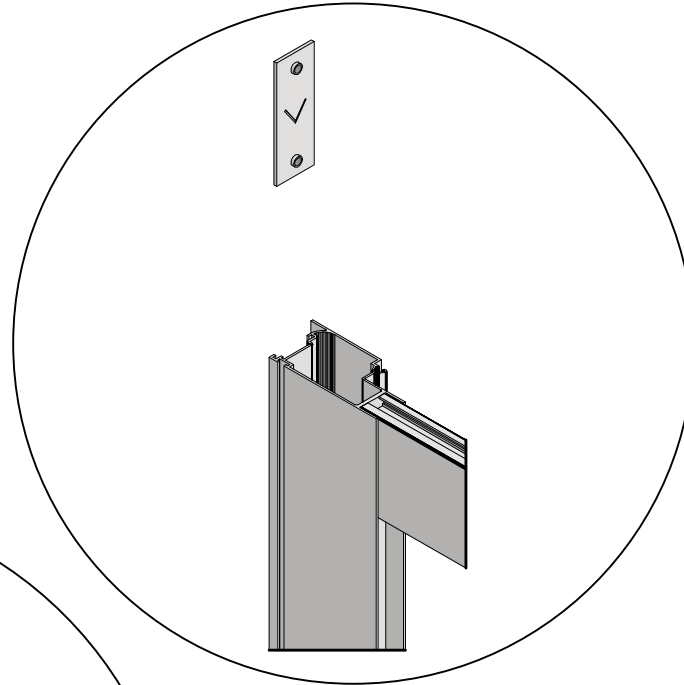
 = M6x16


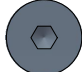


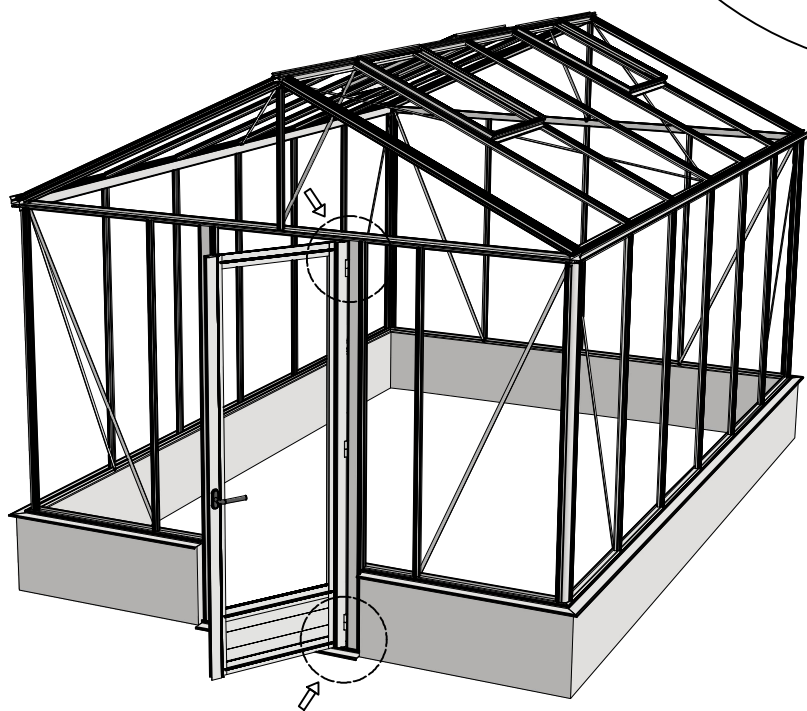
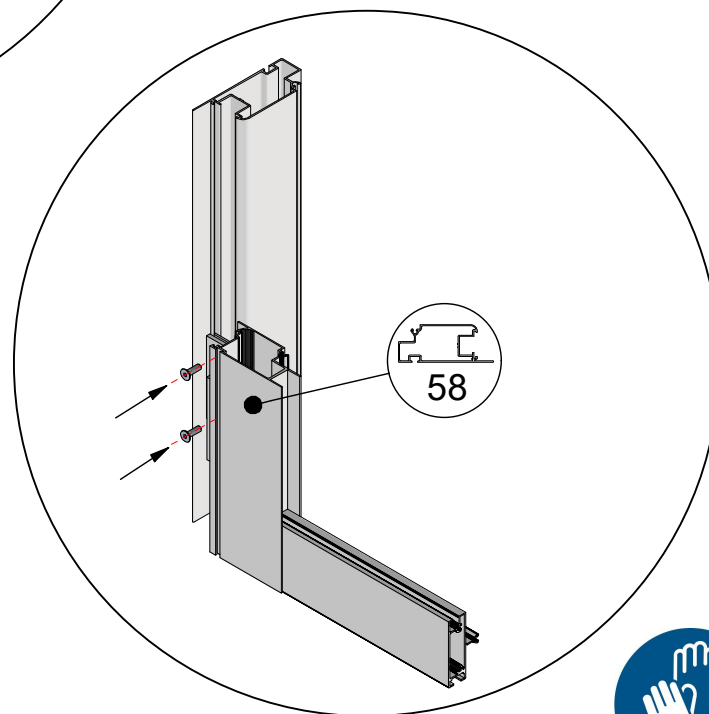
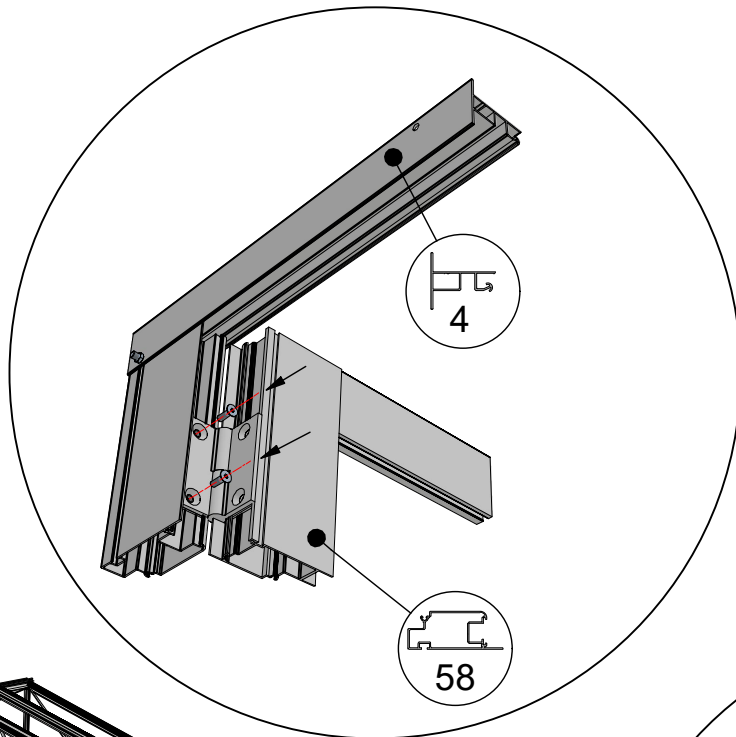




 = M6x10



  = M6x10



Glass Dimensions Nv Euro-serre

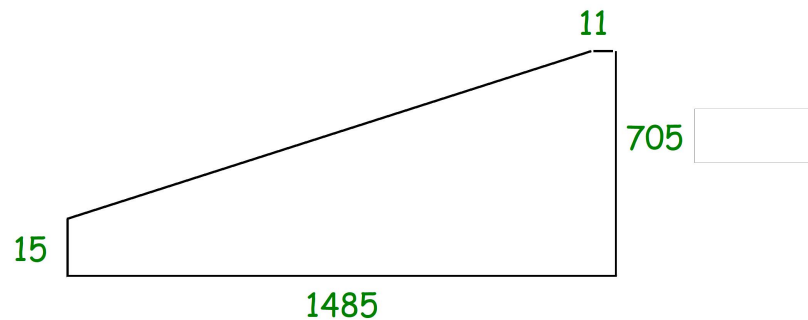
Maxi on wall 3,09m

GlassH: 1250 wall H 830

Glass Size 730mm	Sides		Single	Double	Roof	Size Lenght x Wide		m ²	m ²
	1250 x 730	1250 x 290	1175 x 620	1175 x 550	1650 x 730	825 x 730			
Maxi on wall 3,09m x 2,36m	12	2	1		5	2		12,4	7,2
Maxi on wall 3,09m x 3,09m	14	2	1		6	4		14,2	9,6
Maxi on wall 3,09m x 3,80m	16	2	1		8	4		16,1	12,0
Maxi on wall 3,09m x 4,57m	18	2	1		9	6		17,9	14,5
Maxi on wall 3,09m x 5,30m	20	2	1		11	6		19,7	16,9
Maxi on wall 3,09m x 6,04m	22	2	1		12	8		21,5	19,3
Maxi on wall 3,09m x 6,77m	24	2	1		14	8		23,4	21,7
Maxi on wall 3,09m x 7,53m	26	2	1		16	8		25,2	24,1
Maxi on wall 3,09m x 8,30m	28	2	1		18	8		27,0	26,5
Maxi on wall 3,09m x 9,02m	30	2	1		19	10		28,8	28,9

Points

2 x L + 2 x R



4,19 m²

Glass Dimensions Nv Euro-serre

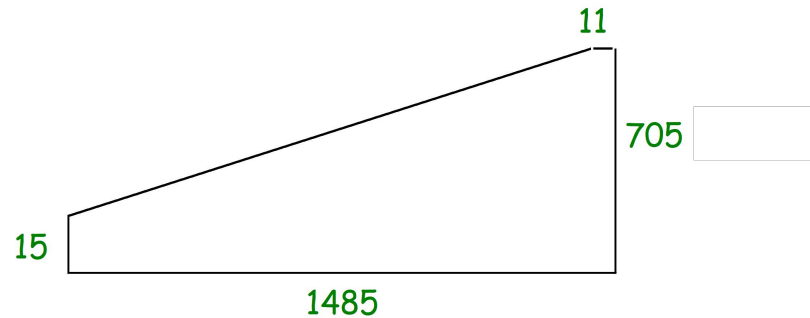
Maxi on wall 3,09m

GlassH: 1450 wall H 830

Glass Size 730mm	Sides		Single	Double	Roof	Size Lenght x Wide		m ²	m ²
	1450 x 730	1450 x 290	1350 x 620	1350 x 550	1650 x 730	825 x 730			
Maxi on wall 3,09m x 2,36m	12	2	1		5	2		14,4	7,2
Maxi on wall 3,09m x 3,09m	14	2	1		6	4		16,5	9,6
Maxi on wall 3,09m x 3,80m	16	2	1		8	4		18,6	12,0
Maxi on wall 3,09m x 4,57m	18	2	1		9	6		20,7	14,5
Maxi on wall 3,09m x 5,30m	20	2	1		11	6		22,8	16,9
Maxi on wall 3,09m x 6,04m	22	2	1		12	8		25,0	19,3
Maxi on wall 3,09m x 6,77m	24	2	1		14	8		27,1	21,7
Maxi on wall 3,09m x 7,53m	26	2	1		16	8		29,2	24,1
Maxi on wall 3,09m x 8,30m	28	2	1		18	8		31,3	26,5
Maxi on wall 3,09m x 9,02m	30	2	1		19	10		33,4	28,9

Points

2 x L + 2 x R



4,19 m²

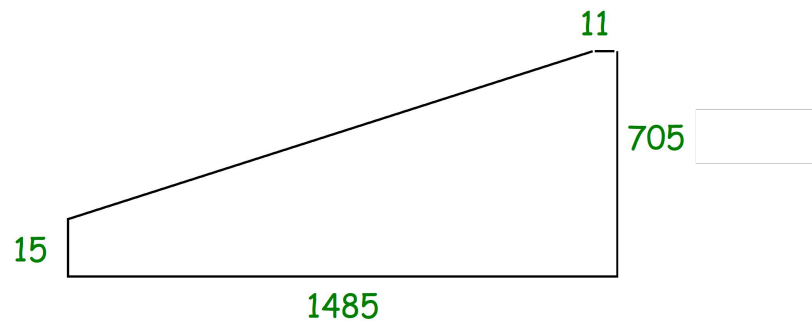
Glass Dimensions Nv Euro-serre

Maxi on wall 3,09m

GlassH: 1650 wall H 830

Glass Size 730mm	Sides		Single	Double	Roof	Size Lenght x Wide		m ²	m ²
	1650 x 730	1650 x 290	1615 x 620	1615 x 550	1650 x 730	825 x 730			
Maxi on wall 3,09m x 2,36m	12	2	1		5	2		16,4	7,2
Maxi on wall 3,09m x 3,09m	14	2	1		6	4		18,8	9,6
Maxi on wall 3,09m x 3,80m	16	2	1		8	4		21,2	12,0
Maxi on wall 3,09m x 4,57m	18	2	1		9	6		23,6	14,5
Maxi on wall 3,09m x 5,30m	20	2	1		11	6		26,0	16,9
Maxi on wall 3,09m x 6,04m	22	2	1		12	8		28,5	19,3
Maxi on wall 3,09m x 6,77m	24	2	1		14	8		30,9	21,7
Maxi on wall 3,09m x 7,53m	26	2	1		16	8		33,3	24,1
Maxi on wall 3,09m x 8,30m	28	2	1		18	8		35,7	26,5
Maxi on wall 3,09m x 9,02m	30	2	1		19	10		38,1	28,9

Points
2 x L + 2 x R



4,19 m²

Opgemaakt op 29-06-2022

