

SH9002F	SH9002F5	SH9003F	SH9003F5	SH9004F	SH9004F5	SH9005F
950 × 278 × 75cm 934 × 200 × 36cm 1250 × 281cm 1250 × 200cm	950 × 328 × 77cm 934 × 250 × 38cm 1250 × 331cm 1250 × 250cm	950 × 378 × 79cm 934 × 300 × 40cm 1250 × 381cm 1250 × 300cm	950 × 428 × 81cm 934 × 350 × 42cm 1250 × 431cm 1250 × 350cm	950 × 478 × 83cm 934 × 400 × 44cm 1250 × 481cm 1250 × 400cm	950 × 528 × 85cm 934 × 450 × 46cm 1250 × 531cm 1250 × 450cm	950 × 578 × 87cm 934 × 500 × 48cm 1250 × 581cm 1250 × 500cm

Outer Size (L×W×H):
Inner Size (L×W×H):
Rail Outer Size (L×W):
Rail Inner Size (L×W):

Yttere storlek (L×B×H):
Inre storlek (L×B×H):
Räls yttre storlek (L×B):
Räls inre storlek (L×B):

Udvendig størrelse (L×B×H):
Indvendig størrelse (L×B×H):
Skinne ydre størrelse (L×B):
Skinne indre størrelse (L×B):

Ytre størrelse (L×B×H):
Indre størrelse (L×B×H):
Skinne ytre størrelse (L×B):
Skinne indre størrelse (L×B):

Ulompi koko (P×L×K):
Sisäinen koko (P×L×K):
Kiskon ulkokoko (P×L):
Kiskon sisäkoko (P×L):

Please read carefully before assembling
Two people are needed

Läs noggrant innan montering.
Det krävs två personer för montering.

Les monteringsanvisningen nøye innen montering.
Det kreves to personer for montering.

Læs venligst omhyggeligt, før montering.
Der kræves to personer til montering.

Lue ohjeet huolellisesti läpi ennen asentamista.
Asentamiseen tarvitaan kaksi henkilöä.

Part	product	NO.	Length(mm)	QTY.	code	Page
	SH9002F	92X-A4-1	2036	1	9X-A4-1	P1
	SH9002F5	925X-A4-1	2538			
	SH9003F	93X-A4-1	3041			
	SH9003F5	935X-A4-1	3543			
	SH9004F	94X-A4-1	4046			
	SH9004F5	945X-A4-1	4548			
	SH9005F	95X-A4-1	5051			
	SH9002F	92X-A4-2	2245	1	9X-A4-2	P11
	SH9002F5	925X-A4-2	2747			
	SH9003F	93X-A4-2	3250			
	SH9003F5	935X-A4-2	3752			
	SH9004F	94X-A4-2	4255			
	SH9004F5	945X-A4-2	4758			
	SH9005F	95X-A4-2	5260			
	SH9002F	92X-A4-2X	2245	1	9X-A4-2X	P11
	SH9002F5	925X-A4-2X	2747			
	SH9003F	93X-A4-2X	3250			
	SH9003F5	935X-A4-2X	3752			
	SH9004F	94X-A4-2X	4255			
	SH9004F5	945X-A4-2X	4758			
	SH9005F	95X-A4-2X	5260			
	SH9002F	92X-A4-3	2455	1	9X-A4-3	P20
	SH9002F5	925X-A4-3	2957			
	SH9003F	93X-A4-3	3460			
	SH9003F5	935X-A4-3	3962			
	SH9004F	94X-A4-3	4465			
	SH9004F5	945X-A4-3	4967			
	SH9005F	95X-A4-3	5470			
	SH9002F	92X-A4-3X	2455	1	9X-A4-3X	P20
	SH9002F5	925X-A4-3X	2957			
	SH9003F	93X-A4-3X	3460			
	SH9003F5	935X-A4-3X	3962			
	SH9004F	94X-A4-3X	4465			
	SH9004F5	945X-A4-3X	4967			
	SH9005F	95X-A4-3X	5470			
	SH9002F	92X-A4-4X	2665	1	9X-A4-4X	P29
	SH9002F5	925X-A4-4X	3167			
	SH9003F	93X-A4-4X	3670			
	SH9003F5	935X-A4-4X	4172			
	SH9004F	94X-A4-4X	4675			
	SH9004F5	945X-A4-4X	5177			
	SH9005F	95X-A4-4X	5680			
		90X-A-1	180	2		P2
		90X-A-2	265	2		P12
		90X-A-2X	265	2		P12
		90X-A-3-L	349	2		P21
		90X-A-3-R	349	2		P21
		90X-A-4X	432	1		P30

Part	product	NO.	Length(mm)	QTY.	code	Page
		90X-A-4S	432	1		P30
	SH9002F	92X-B4-1	2036	1	9X-B4-1	P1
	SH9002F5	925X-B4-1	2538			
	SH9003F	93X-B4-1	3041			
	SH9003F5	935X-B4-1	3543			
	SH9004F	94X-B4-1	4046			
	SH9004F5	945X-B4-1	4548			
	SH9005F	95X-B4-1	5051			
	SH9002F	92X-B4-2	2245	1	9X-B4-2	P11
	SH9002F5	925X-B4-2	2747			
	SH9003F	93X-B4-2	3250			
	SH9003F5	935X-B4-2	3752			
	SH9004F	94X-B4-2	4255			
	SH9004F5	945X-B4-2	4758			
	SH9005F	95X-B4-2	5260			
	SH9002F	92X-B4-3	2455	1	9X-B4-3	P20
	SH9002F5	925X-B4-3	2957			
	SH9003F	93X-B4-3	3460			
	SH9003F5	935X-B4-3	3962			
	SH9004F	94X-B4-3	4465			
	SH9004F5	945X-B4-3	4967			
	SH9005F	95X-B4-3	5470			
	SH9002F	92X-B4-4	2665	1	9X-B4-4	P29
	SH9002F5	925X-B4-4	3167			
	SH9003F	93X-B4-4	3670			
	SH9003F5	935X-B4-4	4172			
	SH9004F	94X-B4-4	4675			
	SH9004F5	945X-B4-4	5177			
	SH9005F	95X-B4-4	5680			
		90X-B-1	180	2		P2
		90X-B-2	265	2		P12
		90X-B-3	349	2		P21
		90X-B-4	432	2		P30
	SH9002F	92X-C4-1	2036	1	9X-C4-1	P1
	SH9002F5	925X-C4-1	2538			
	SH9003F	93X-C4-1	3041			
	SH9003F5	935X-C4-1	3543			
	SH9004F	94X-C4-1	4046			
	SH9004F5	945X-C4-1	4548			
	SH9005F	95X-C4-1	5051			
	SH9002F	92X-C4-4	2665	1	9X-C4-4	P32
	SH9002F5	925X-C4-4	3167			
	SH9003F	93X-C4-4	3670			
	SH9003F5	935X-C4-4	4172			
	SH9004F	94X-C4-4	4675			
	SH9004F5	945X-C4-4	5177			

Part	product	NO.	Length(mm)	QTY.	code	Page
	SH9005F	95X-C4-4	5680			
		90X-C4-1-L	180	1		P2
		90X-C4-1-R	180	1		P2
		90X-C4-4-L	432	1		P30
		90X-C4-4-R	432	1		P30
		90X-D-A	1099	2		P1
		90X-D-B	1110	4		P11-20
		90X-D-C	1140	2		P29
	SH9002F	92X-DX-1	200	1	9X-DX-1	P4
	SH9002F5	925X-DX-1	222			
	SH9003F	93X-DX-1	244			
	SH9003F5	935X-DX-1	266			
	SH9004F	94X-DX-1	288			
	SH9004F5	945X-DX-1	310			
	SH9005F	95X-DX-1	331			
	SH9002F	92X-DX-4	510	1	9X-DX-4	P32
	SH9002F5	925X-DX-4	531			
	SH9003F	93X-DX-4	552			
	SH9003F5	935X-DX-4	574			
	SH9004F	94X-DX-4	596			
	SH9004F5	945X-DX-4	617			
	SH9005F	95X-DX-4	639			
		90X-E-A	1099	4		P1
		90X-E-B	1110	8		P11-20
		90X-E-C	1140	3		P29
	SH9002F	92X-E-1-L	183	1	9X-E-1-L	P4
	SH9002F5	925X-E-1-L	199			
	SH9003F	93X-E-1-L	215			
	SH9003F5	935X-E-1-L	232			
	SH9004F	94X-E-1-L	248			
	SH9004F5	945X-E-1-L	265			
	SH9005F	95X-E-1-L	281			
	SH9002F	92X-E-1-R	183	1	9X-E-1-R	P4
	SH9002F5	925X-E-1-R	199			
	SH9003F	93X-E-1-R	215			
	SH9003F5	935X-E-1-R	232			
	SH9004F	94X-E-1-R	248			
	SH9004F5	945X-E-1-R	265			
	SH9005F	95X-E-1-R	281			
	SH9002F	92X-E-4-L	478	1	9X-E-4-L	P32
	SH9002F5	925X-E-4-L	494			
	SH9003F	93X-E-4-L	510			
	SH9003F5	935X-E-4-L	526			
	SH9004F	94X-E-4-L	542			
	SH9004F5	945X-E-4-L	558			
	SH9005F	95X-E-4-L	575			






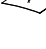
Part	product	NO.	Length(mm)	QTY.	code	Page
□	SH9002F	92X-E-4-R	478	1	9X-E-4-R	P32
	SH9002F5	925X-E-4-R	494			
	SH9003F	93X-E-4-R	510			
	SH9003F5	935X-E-4-R	526			
	SH9004F	94X-E-4-R	542			
	SH9004F5	945X-E-4-R	558			
	SH9005F	95X-E-4-R	575			
☞		90X-F-A-L	2400	1		P2
☞		90X-F-A-R	2400	1		P2
☞		90X-F	2400	4		P12-21
☞		90X-F-B	2480	1		P30
☞		90X-F-C	1260	1		P30
☞		90X-F-D	80	1		P30
☞		90X-G-A-L	2400	1		P2
☞		90X-G-A-R	2400	1		P2
☞		90X-G-B-L	2400	2		P12-21
☞		90X-G-B-R	2400	2		P12-21
☞		90X-G-C-L	2480	1		P30
☞		90X-G-C-R	2480	1		P30
□	SH9002F	90X-H2	2003	1	9X-HX	P4
	SH9002F5	90X-H25	2503			
	SH9003F	90X-H3	3003			
	SH9003F5	90X-H35	3503			
	SH9004F	90X-H4	4003			
	SH9004F5	90X-H45	4503			
	SH9005F	90X-H5	5003			
□	SH9002F	90X-H2-4	2622	1	9X-HX-4	P32
	SH9002F5	90X-H25-4	3122			
	SH9003F	90X-H3-4	3622			
	SH9003F5	90X-H35-4	4122			
	SH9004F	90X-H4-4	4622			
	SH9004F5	90X-H45-4	5122			
	SH9005F	90X-H5-4	5622			
☞	SH9002F	92X-I4-1	2036	2	9X-I4-1	P6
	SH9002F5	925X-I4-1	2538			
	SH9003F	93X-I4-1	3041			
	SH9003F5	935X-I4-1	3543			
	SH9004F	94X-I4-1	4046			
	SH9004F5	945X-I4-1	4548			
	SH9005F	95X-I4-1	5051			
☞	SH9002F	92X-I4-2	2245	2	9X-I4-2	P15
	SH9002F5	925X-I4-2	2747			
	SH9003F	93X-I4-2	3250			
	SH9003F5	935X-I4-2	3752			
	SH9005F	95X-I4-2	5260			

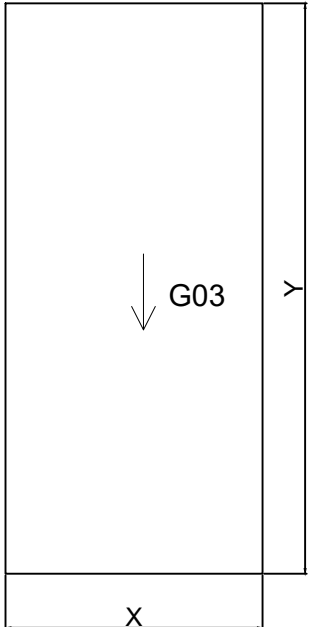
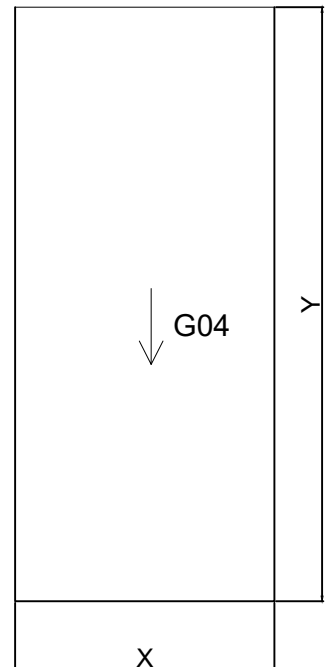
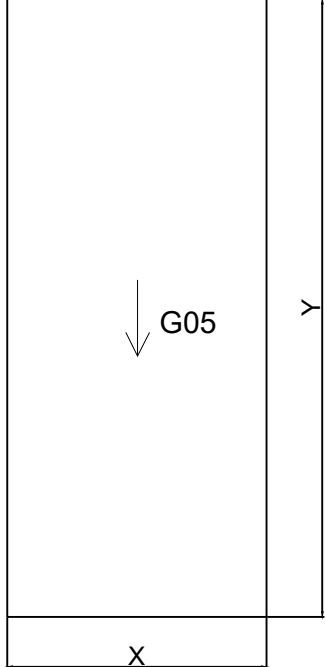
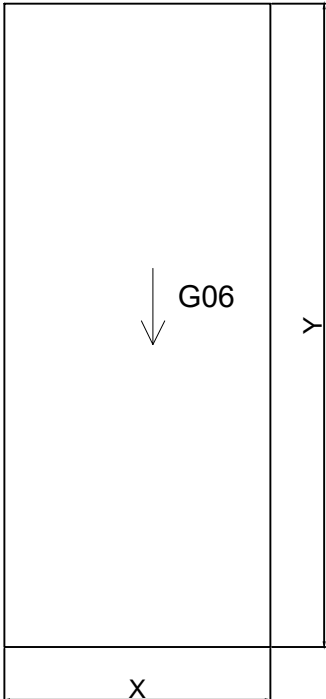
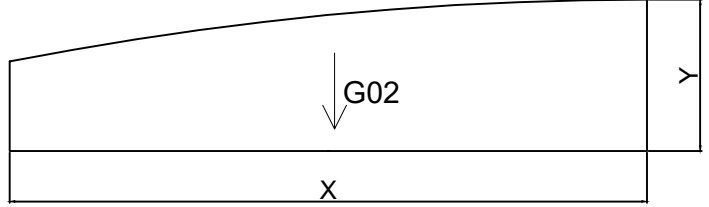
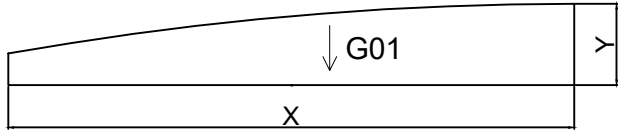
Part	product	NO.	Length(mm)	QTY.	code	Page
☞	SH9004F	94X-I4-2	4255	2	9X-I4-3	P24
	SH9004F5	945X-I4-2	4758			
	SH9005F	95X-I4-2	5260			
	SH9002F	92X-I4-3	2455			
	SH9002F5	925X-I4-3	2957			
☞	SH9003F	93X-I4-3	3460	2	9X-I4-3	P24
	SH9003F5	935X-I4-3	3962			
	SH9004F	94X-I4-3	4465			
	SH9004F5	945X-I4-3	4967			
	SH9005F	95X-I4-3	5470			
☞	SH9002F	92X-I4-4	2665	2	9X-I4-4	P34
	SH9002F5	925X-I4-4	3167			
	SH9003F	93X-I4-4	3670			
	SH9003F5	935X-I4-4	4172			
	SH9004F	94X-I4-4	4675			
☞	SH9004F5	945X-I4-4	5177	1	9X-I4-4	P34
	SH9005F	95X-I4-4	5680			
	SH9002F	92X-IX-4-1	2020			
	SH9002F5	925X-IX-4-1	2523			
	SH9003F	93X-IX-4-1	3026			
☞	SH9003F5	935X-IX-4-1	3528	1	9X-IX-4-1	P9
	SH9004F	94X-IX-4-1	4031			
	SH9004F5	945X-IX-4-1	4534			
	SH9005F	95X-IX-4-1	5036			
	SH9002F	92X-IX-4-4	2654			
☞	SH9002F5	925X-IX-4-4	3115	1	9X-IX-4-4	P37
	SH9003F	93X-IX-4-4	3657			
	SH9003F5	935X-IX-4-4	4160			
	SH9004F	94X-IX-4-4	4662			
	SH9004F5	945X-IX-4-4	5164			
☞		95X-IX-4-4	5667			
☞		90X-I	2400	18		P9-27
☞		90X-I-B	2480	4		P35-37
☞		90X-I-C	1260	2		P35-37
☞		90X-I-D	80	2		P35-37
☞		90X-I-1	180	6		P9
☞		90X-I-2	265	4		P18
☞		90X-I-3	349	4		P27
☞		90X-I-4	432	6		P37
☞	SH9002F	92X-J4-1	2036	1	9X-J4-1	P6
	SH9002F5	925X-J4-1	2538			
	SH9003F	93X-J4-1	3041			
	SH9003F5	935X-J4-1	3543			
	SH9004F	94X-J4-1	4046			
☞	SH9004F5	945X-J4-1	4548	2	9X-J4-1	P6
	SH9005F	95X-J4-1	5051			
	SH9002F	92X-J4-2	2245			

Part	product	NO.	Length(mm)	QTY.	code	Page
☞	SH9002F5	925X-J4-2	2747	1	9X-J4-2	P15
	SH9003F	93X-J4-2	3250			
	SH9003F5	935X-J4-2	3752			
	SH9004F	94X-J4-2	4255			
	SH9004F5	945X-J4-2	4758			
	SH9005F	95X-J4-2	5260			
	SH9002F	92X-J4-3	2455			
☞	SH9002F5	925X-J4-3	2957	1	9X-J4-3	P24
	SH9003F	93X-J4-3	3460			
	SH9003F5	935X-J4-3	3962			
	SH9004F	94X-J4-3	4465			
	SH9004F5	945X-J4-3	4967			
	SH9005F	95X-J4-2	5470			
	SH9002F	92X-J4-4	2665			
☞	SH9002F5	925X-J4-4	3167	1	9X-J4-4	P34
	SH9003F	93X-J4-4	3670			
	SH9003F5	935X-J4-4	4172			
	SH9004F	94X-J4-4	4675			
	SH9004F5	945X-J4-4	5177			
	SH9005F	95X-J4-4	5680			
	☞		90X-J-A			
☞		90X-J-B	1110	4		P15-24
☞		90X-J-C	1140	2		P34
☞		90X-J-1	180	2		P9
☞		90X-J-2	265	2		P18
☞		90X-J-3	349	2		P27
☞		90X-J-4	432	2		P37
☞	SH9002F	92X-JX-1	200	1	9X-JX-1	P9
	SH9002F5	925X-JX-1	222			
	SH9003F	93X-JX-1	244			
	SH9003F5	935X-JX-1	266			
	SH9004F	94X-JX-1	288			
	SH9004F5	945X-JX-1	310			
	SH9005F	95X-JX-1	331			
☞	SH9002F	92X-JX-4	510	1	9X-JX-4	P37
	SH9002F5	925X-JX-4	531			
	SH9003F	93X-JX-4	552			
	SH9003F5	935X-JX-4	574			
	SH9004F	94X-JX-4	596			
	SH9004F5	945X-JX-4	617			
	SH9005F	95X-JX-4	639			
☞		90X-K-A	2480	1		P38
☞		90X-K-B	2480	1		P38
☞		90X-L	1280	2		P39
☞	SH9002F	92X-M4-A				
	SH9002F5	925X-M4-A				

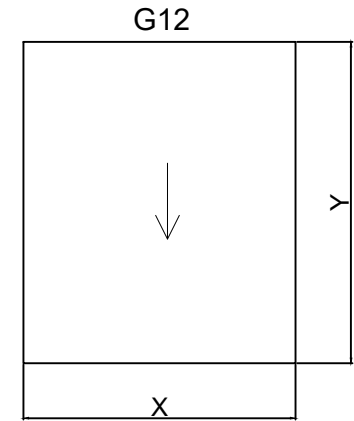
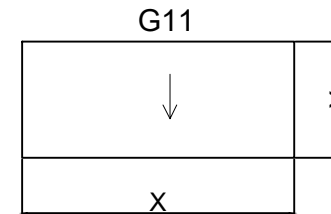
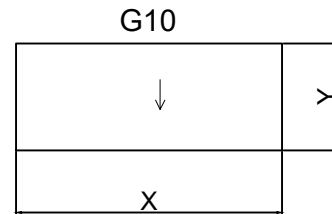
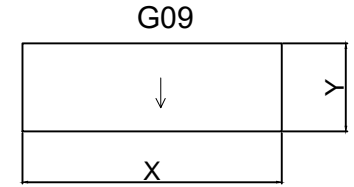
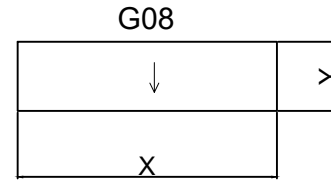
Part	product	NO.	Length(mm)	QTY.	code	Page
	SH9003F	93X-M4-A	476	2	9X-M4-A	P39
	SH9003F5	935X-M4-A				
	SH9004F	94X-M4-A				
	SH9004F5	945X-M4-A				
	SH9005F	95X-M4-A				
	SH9002F	92X-M4-B	1338	2	9X-M4-B	P39
	SH9002F5	925X-M4-B	1589			
	SH9003F	93X-M4-B	1840			
	SH9003F5	935X-M4-B	2091			
	SH9004F	94X-M4-B	2342			
	SH9004F5	945X-M4-B	2538			
	SH9005F	95X-M4-B	2845			
		90X-N	1171	1		P39
		90X-O	1280	1		P39
	SH9002F	92X-P4-A	476	2	9X-P4-A	P40
	SH9002F5	925XP4-A				
	SH9003F	93X-P4-A				
	SH9003F5	935X-P4-A				
	SH9004F	94X-P4-A				
	SH9004F5	945X-P4-A				
	SH9005F	95X-P4-A				
	SH9002F	92X-P4-B	1338	2	9X-P4-B	P40
	SH9002F5	925X-P4-B	1589			
	SH9003F	93X-P4-B	1840			
	SH9003F5	935X-P4-B	2091			
	SH9004F	94X-P4-B	2342			
	SH9004F5	945X-P4-B	2538			
	SH9005F	95X-P4-B	2845			
		90X-P	1280	4		P40
		90X-Q	1171	1		P40
		90X-R-25	2500	8		P45
		90X-R-50-L	5000	6		P45
		90X-R-50-R	5000	6		P45
		90X-R-50-A	5000	1		P45
		90X-R-50-B	5000	1		P45
		90X-R-50-C	5000	1		P45
		90X-R-50-D	5000	1		P45
		7C35-001L	PCS	7		P10-43
		7C35-001R	PCS	6		P10-43
		7C35-001XL	PCS	1		P43
		7C35-001XR	PCS	2		P10
		7C35-002	PCS	18		P10-43
		7C35-003L	PCS	2		P43
		7C35-003R	PCS	2		P43



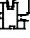




Part	product	NO.	Length(mm)	QTY.	code	Page
		7C35-004L	PCS	2		P41
		7C35-004R	PCS	2		P41
		7C35-005	PCS	2		P41
		7B35-006	PCS	4		P42
		M4-8	PCS	4		P42
		7B35-007	PCS	6		P46
		M4-14	PCS	12		P46
		7B35-009	PCS	1		P38
		M4.0-20	PCS	1		P38
		7B35-012	PCS	12		P9-30
		ST4.2-13	PCS	48		P9-30
		7B35-014	PCS	2		P10-43
		Z6-30	PCS	4		P10-43
		ST4.2-20	PCS	5		P43
		7B35-018A	PCS	1		P44
		7B35-018B	PCS	1		P44
		ST4.2-13	PCS	4		P44
		J02	PCS	4		P45
		ST3.5-25	PCS	8		P45
		PSJ8-50	PCS	48		P46
		DQ6-12	PCS	48		P46
		SW6-50	PCS	48		P46
		Si6-10	PCS	548		P1-39
		Si6-14	PCS	8		P39
		J05	PCS	556		P1-39
		TOOLS	PCS	1		
			PCS	1		
			PCS	1		
			PCS	2		
			PCS	1		
			PCS	1		

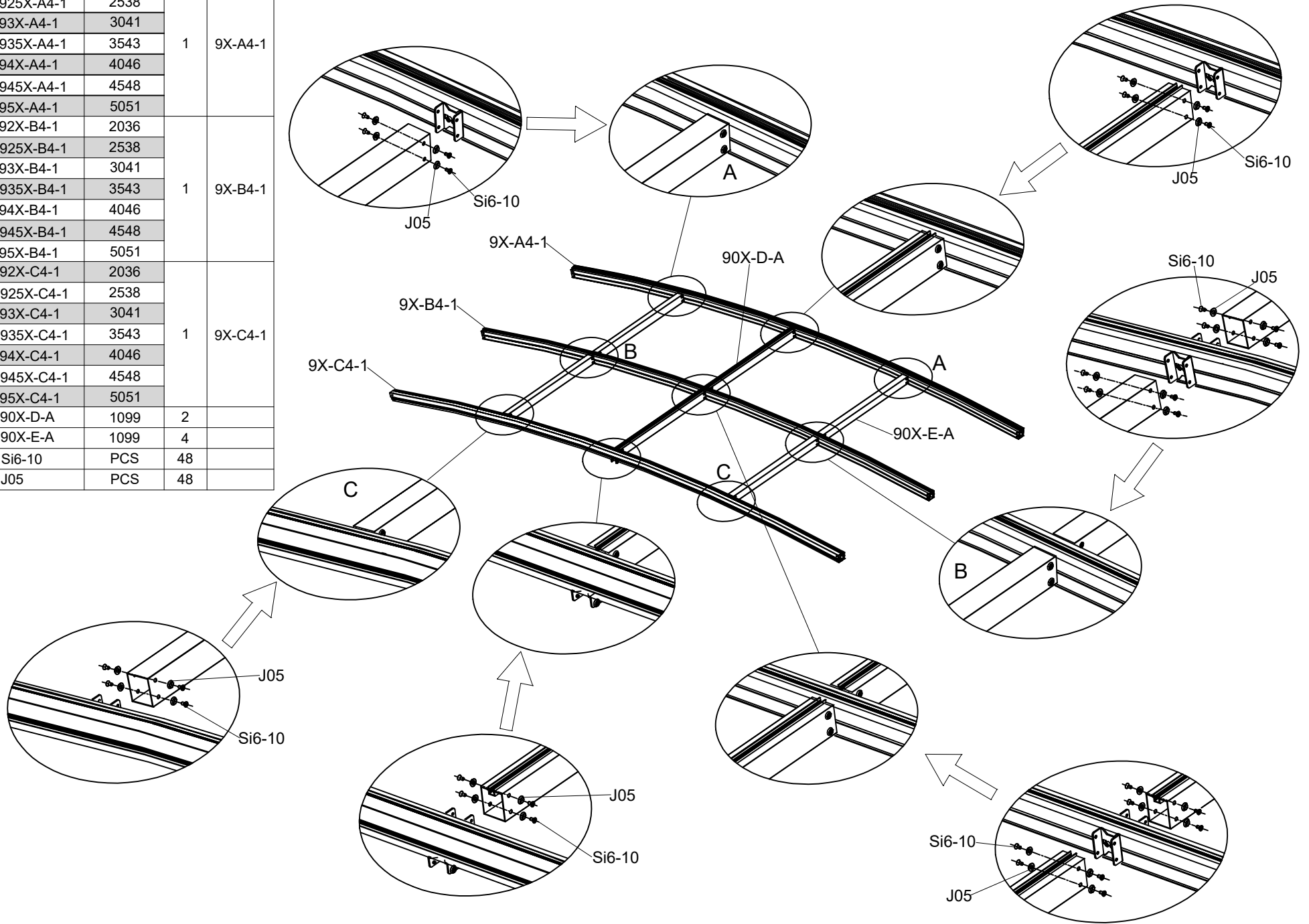
Part	product	NO.	QTY.	code	Page
	SH9002F	1010×228	2	G01	P8
	SH9002F5	1260×250			
	SH9003F	1510×272			
	SH9003F5	1760×293			
	SH9004F	2010×315			
	SH9004F5	2260×337			
	SH9005F	2510×359			
	SH9002F	1319×357	2	G02	P36
	SH9002F5	1569×559			
	SH9003F	1819×580			
	SH9003F5	2069×602			
	SH9004F	2319×623			
	SH9004F5	2569×645			
	SH9005F	2828×667			
	SH9002F	1141×1029	4	G03	P5
	SH9002F5	1141×1280			
	SH9003F	1141×1531			
	SH9003F5	1141×1783			
	SH9004F	1141×2034			
	SH9004F5	1141×2285			
	SH9005F	1141×2536			
	SH9002F	1151×1133	4	G04	P14
	SH9002F5	1151×1385			
	SH9003F	1151×1638			
	SH9003F5	1151×1887			
	SH9004F	1151×2138			
	SH9004F5	1151×2390			
	SH9005F	1151×2641			
	SH9002F	1151×1238	4	G05	P23
	SH9002F5	1151×1491			
	SH9003F	1151×1741			
	SH9003F5	1151×1992			
	SH9004F	1151×2243			
	SH9004F5	1151×2495			
	SH9005F	1151×2746			
	SH9002F	1181×1344	3	G06	P33
	SH9002F5	1181×1595			
	SH9003F	1181×1846			
	SH9003F5	1181×2097			
	SH9004F	1181×2348			
	SH9004F5	1181×2600			
	SH9005F	1181×2851			



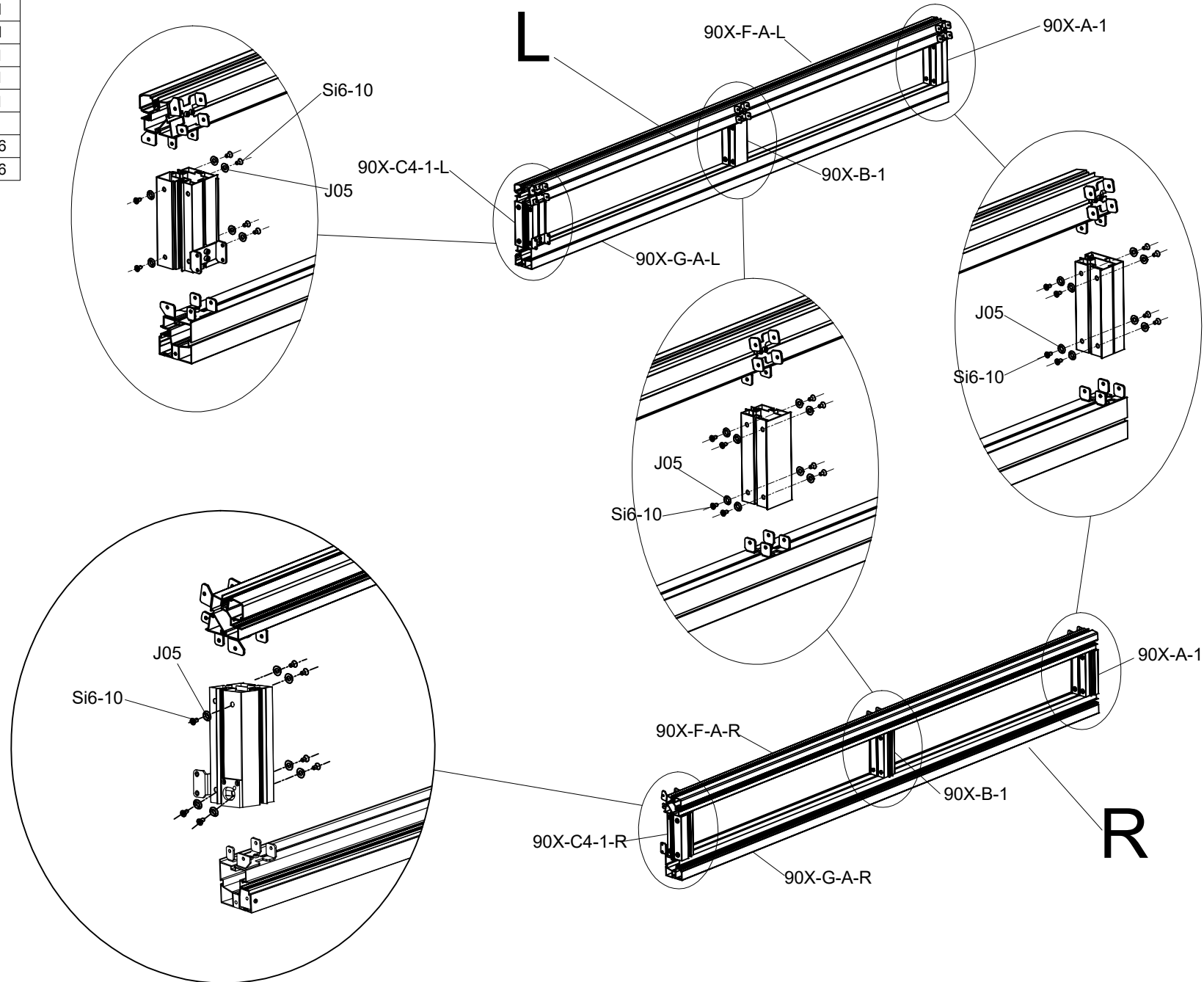
Part	product	NO.	QTY.	code	Page
/	SH9002F	1141×221	4	G07	P8
	SH9002F5				
	SH9003F				
	SH9003F5				
	SH9004F				
	SH9004F5				
	SH9005F				
/	SH9002F	1151×306	4	G08	P17
	SH9002F5				
	SH9003F				
	SH9003F5				
	SH9004F				
	SH9004F5				
	SH9005F				
/	SH9002F	1151×390	4	G09	P26
	SH9002F5				
	SH9003F				
	SH9003F5				
	SH9004F				
	SH9004F5				
	SH9005F				
/	SH9002F	1181×473	3	G10	P36
	SH9002F5				
	SH9003F				
	SH9003F5				
	SH9004F				
	SH9004F5				
	SH9005F				
/	SH9002F	1208×510	1	G11	P20
	SH9002F5				
	SH9003F				
	SH9003F5				
	SH9004F				
	SH9004F5				
	SH9005F				
/	SH9002F	1208×678	2	G12	P40
	SH9002F5	1208×803			
	SH9003F	1208×928			
	SH9003F5	1208×1054			
	SH9004F	1208×1179			
	SH9004F5	1208×1278			
	SH9005F	1208×1431			







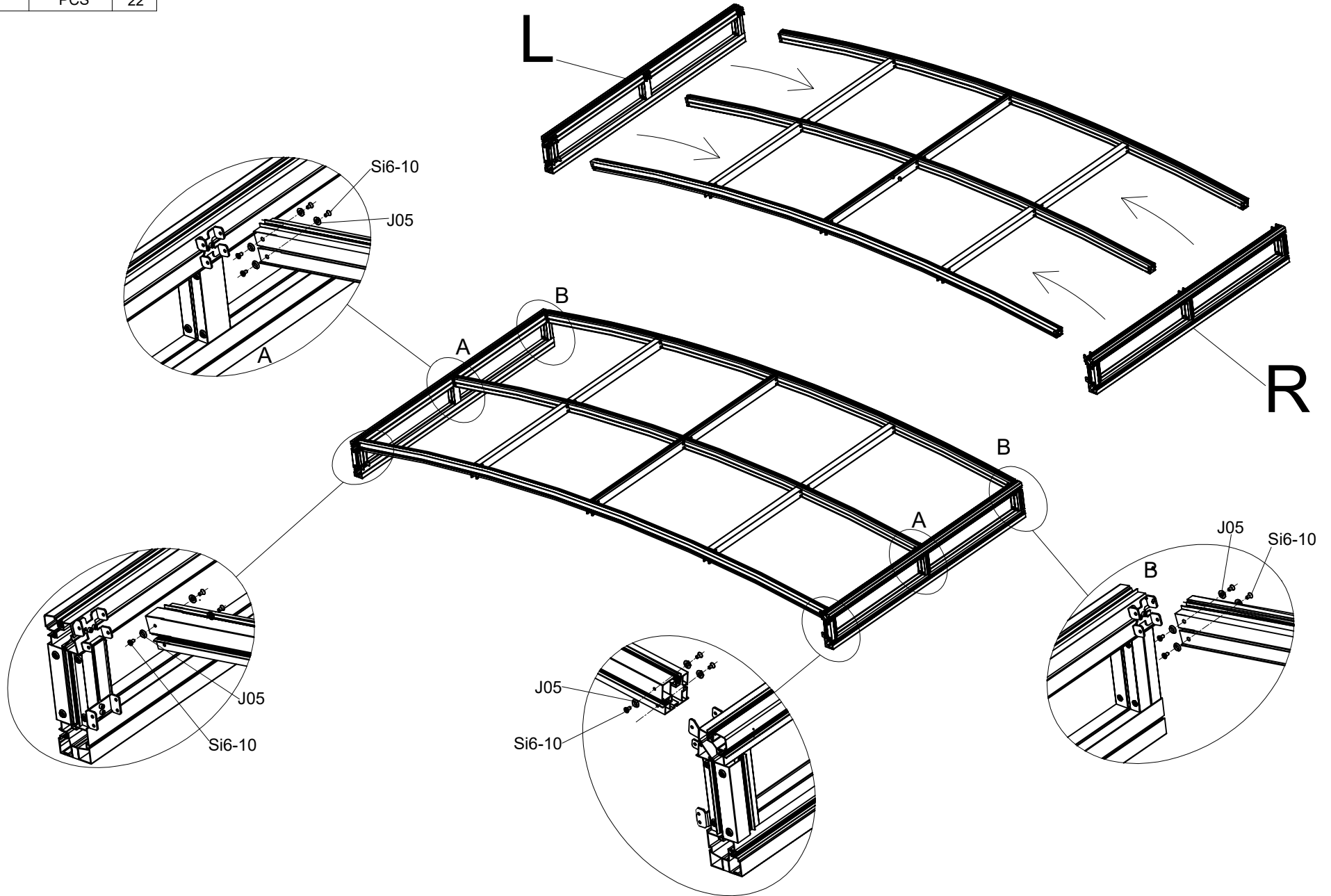
Part	product	NO.	Length(mm)	QTY.	code
	SH9002F	92X-A4-1	2036	1	9X-A4-1
	SH9002F5	925X-A4-1	2538		
	SH9003F	93X-A4-1	3041		
	SH9003F5	935X-A4-1	3543		
	SH9004F	94X-A4-1	4046		
	SH9004F5	945X-A4-1	4548		
	SH9005F	95X-A4-1	5051		
	SH9002F	92X-B4-1	2036	1	9X-B4-1
	SH9002F5	925X-B4-1	2538		
	SH9003F	93X-B4-1	3041		
	SH9003F5	935X-B4-1	3543		
	SH9004F	94X-B4-1	4046		
	SH9004F5	945X-B4-1	4548		
	SH9005F	95X-B4-1	5051		
	SH9002F	92X-C4-1	2036	1	9X-C4-1
	SH9002F5	925X-C4-1	2538		
	SH9003F	93X-C4-1	3041		
	SH9003F5	935X-C4-1	3543		
	SH9004F	94X-C4-1	4046		
	SH9004F5	945X-C4-1	4548		
	SH9005F	95X-C4-1	5051		
		90X-D-A	1099	2	
		90X-E-A	1099	4	
		Si6-10	PCS	48	
		J05	PCS	48	



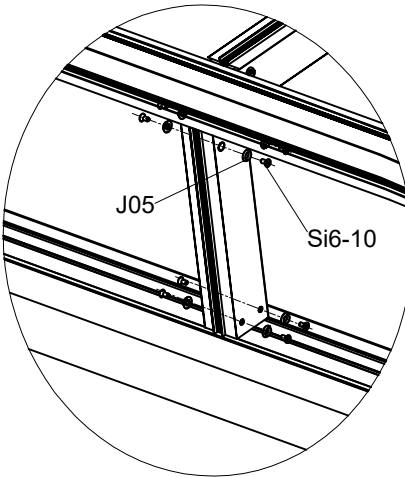
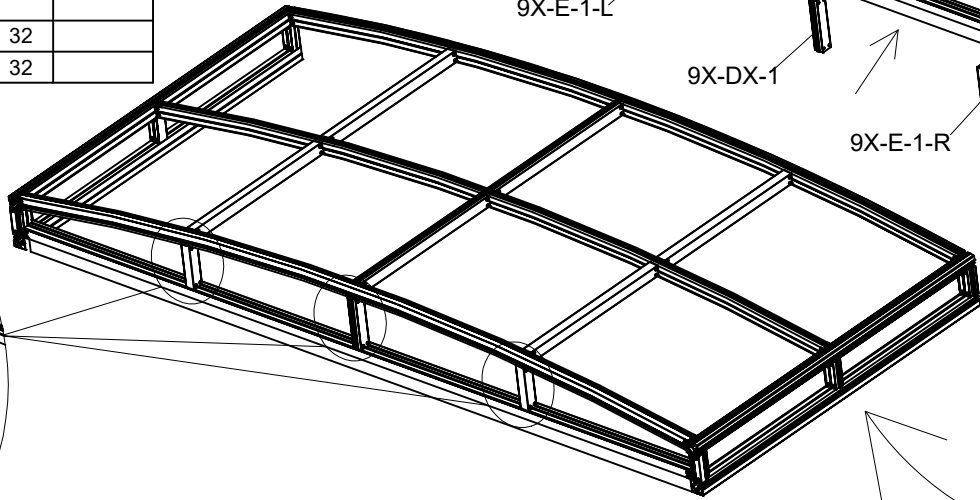
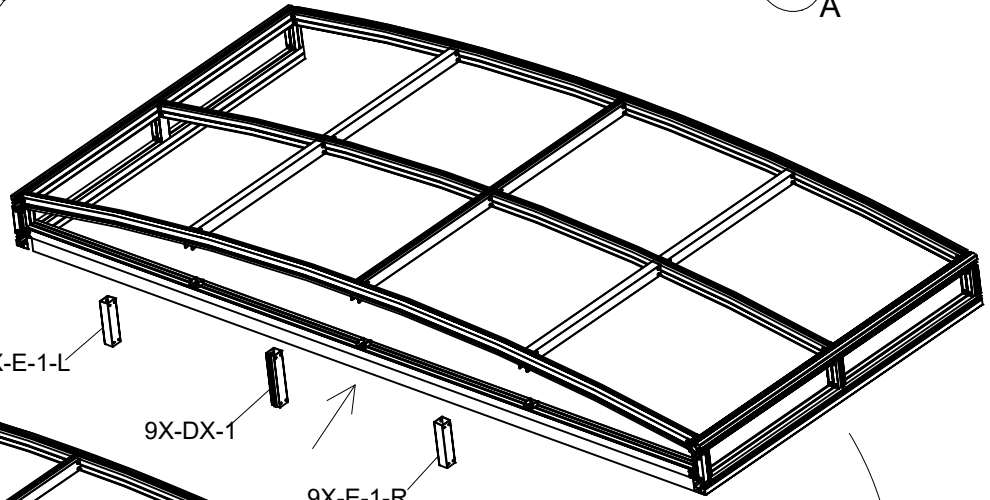
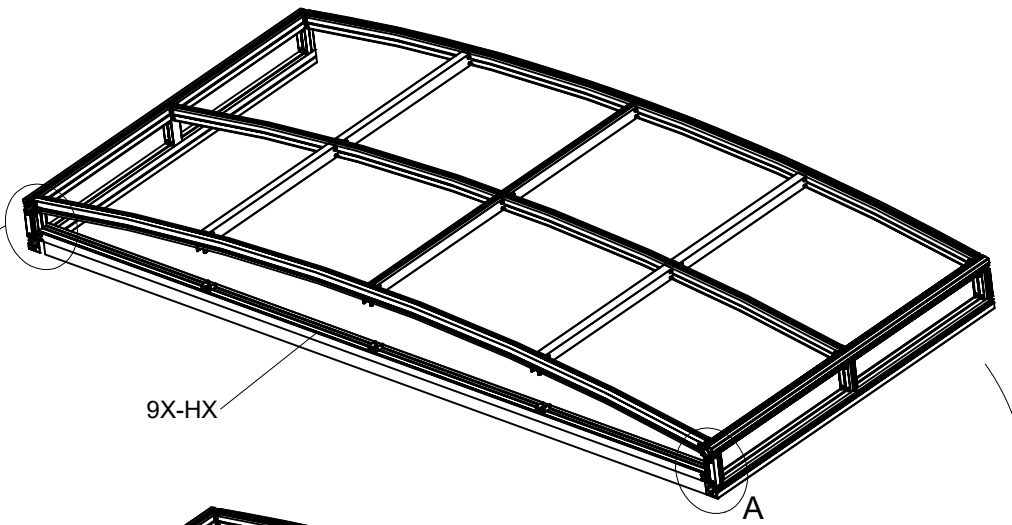
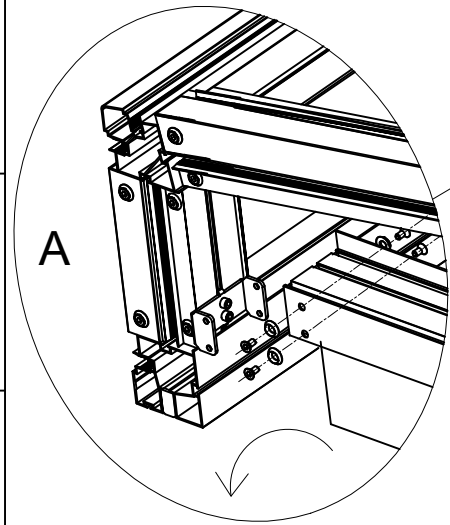
Part	NO.	Length(mm)	QTY.
	90X-A-1	180	2
	90X-B-1	180	2
	90X-C4-1-L	180	1
	90X-C4-1-R	180	1
	90X-F-A-L	2400	1
	90X-F-A-R	2400	1
	90X-G-A-L	2400	1
	90X-G-A-R	2400	1
	Si6-10	PCS	46
	J05	PCS	46




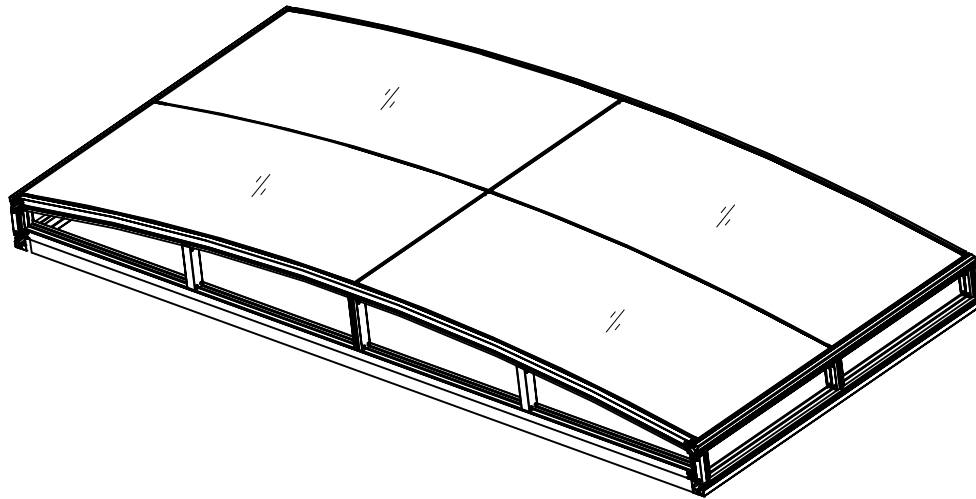
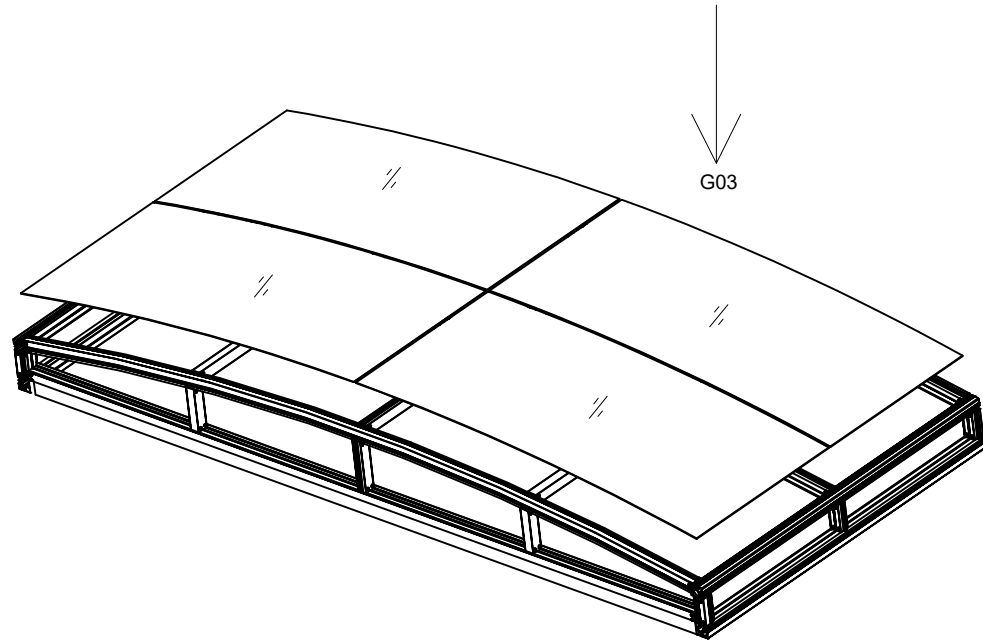
Part	NO.	Length(mm)	QTY.
	Page1	PCS	1
	Page2	PCS	1
	Si6-10	PCS	22
	J05	PCS	22



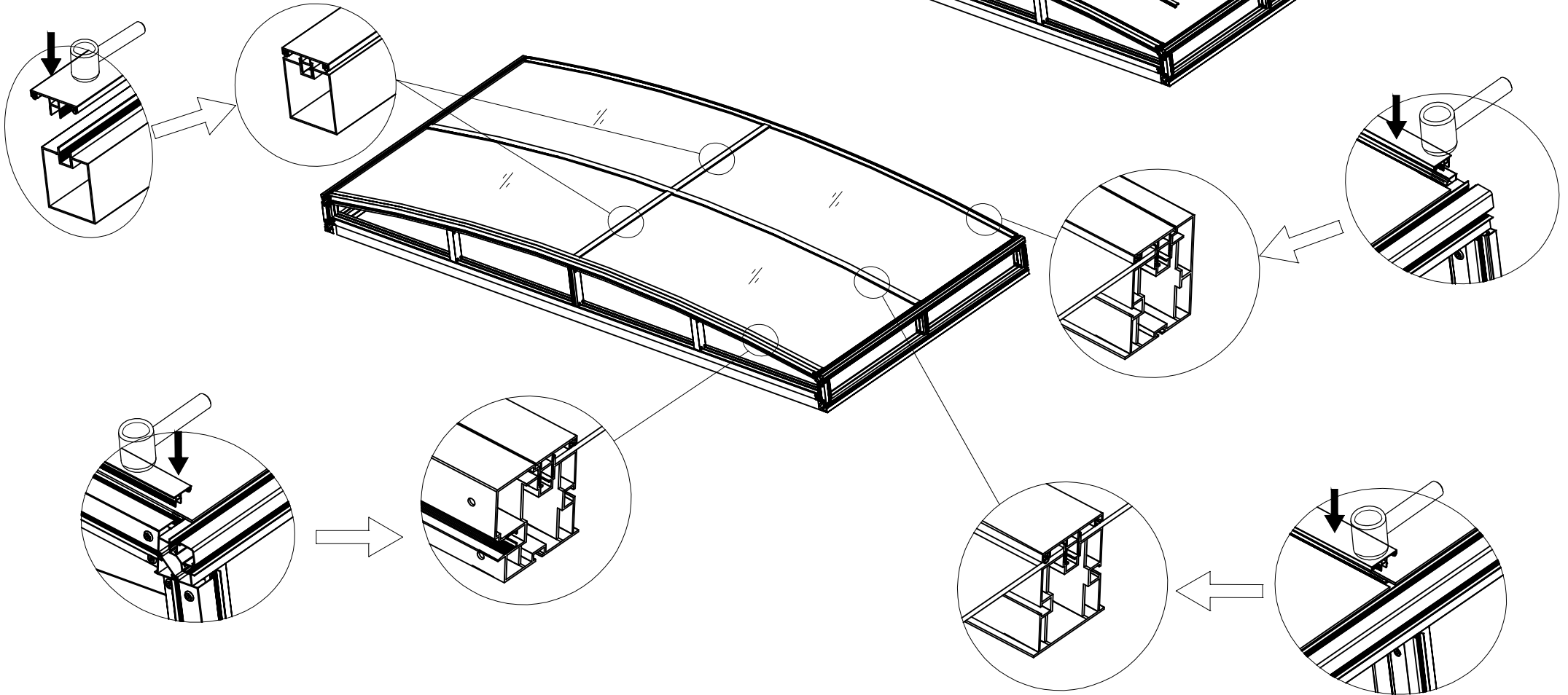
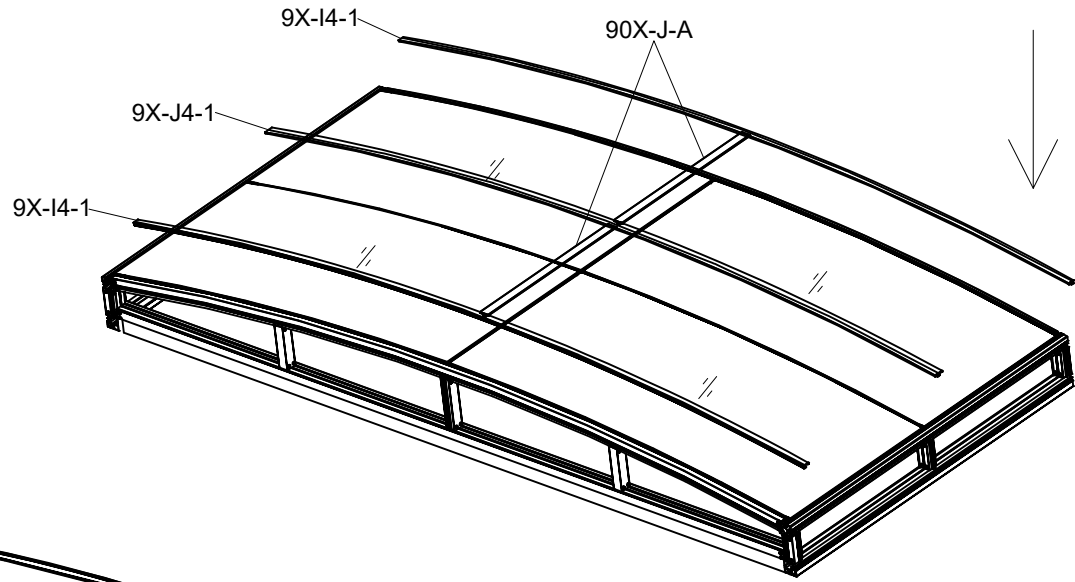
Part	product	NO.	Length(mm)	QTY.	code
☐	SH9002F	90X-H2	2003	1	9X-HX
	SH9002F5	90X-H25	2503		
	SH9003F	90X-H3	3003		
	SH9003F5	90X-H35	3503		
	SH9004F	90X-H4	4003		
	SH9004F5	90X-H45	4503		
	SH9005F	90X-H5	5003		
☐	SH9002F	92X-DX-1	200	1	9X-DX-1
	SH9002F5	925X-DX-1	222		
	SH9003F	93X-DX-1	244		
	SH9003F5	935X-DX-1	266		
	SH9004F	94X-DX-1	288		
	SH9004F5	945X-DX-1	310		
	SH9005F	95X-DX-1	331		
☐	SH9002F	92X-E-1-L	183	1	9X-E-1-L
	SH9002F5	925X-E-1-L	199		
	SH9003F	93X-E-1-L	215		
	SH9003F5	935X-E-1-L	232		
	SH9004F	94X-E-1-L	248		
	SH9004F5	945X-E-1-L	265		
	SH9005F	95X-E-1-L	281		
☐	SH9002F	92X-E-1-R	183	1	9X-E-1-R
	SH9002F5	925X-E-1-R	199		
	SH9003F	93X-E-1-R	215		
	SH9003F5	935X-E-1-R	232		
	SH9004F	94X-E-1-R	248		
	SH9004F5	945X-E-1-R	265		
	SH9005F	95X-E-1-R	281		
⊕		Si6-10	PCS	32	
⊕		J05	PCS	32	



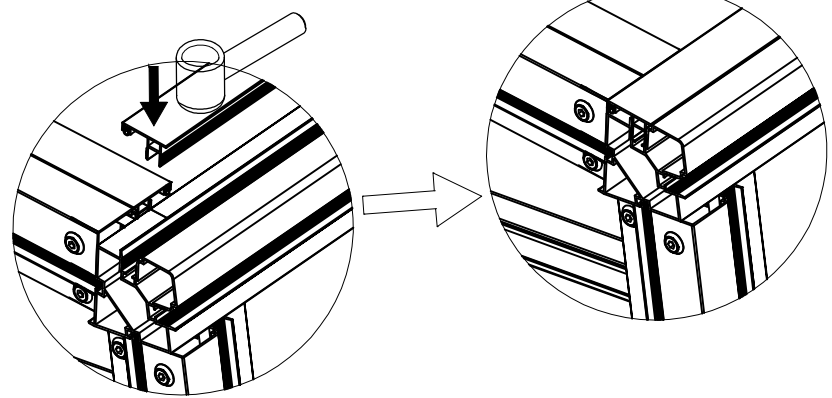
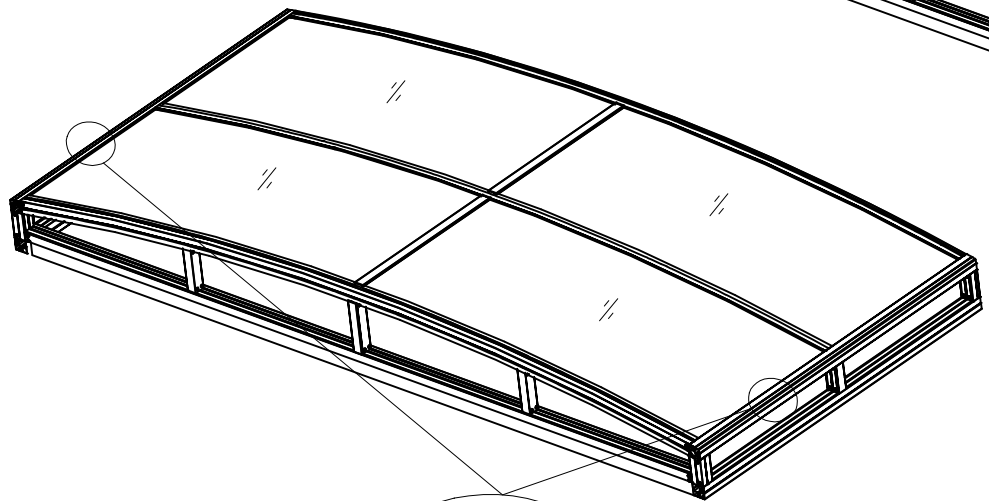
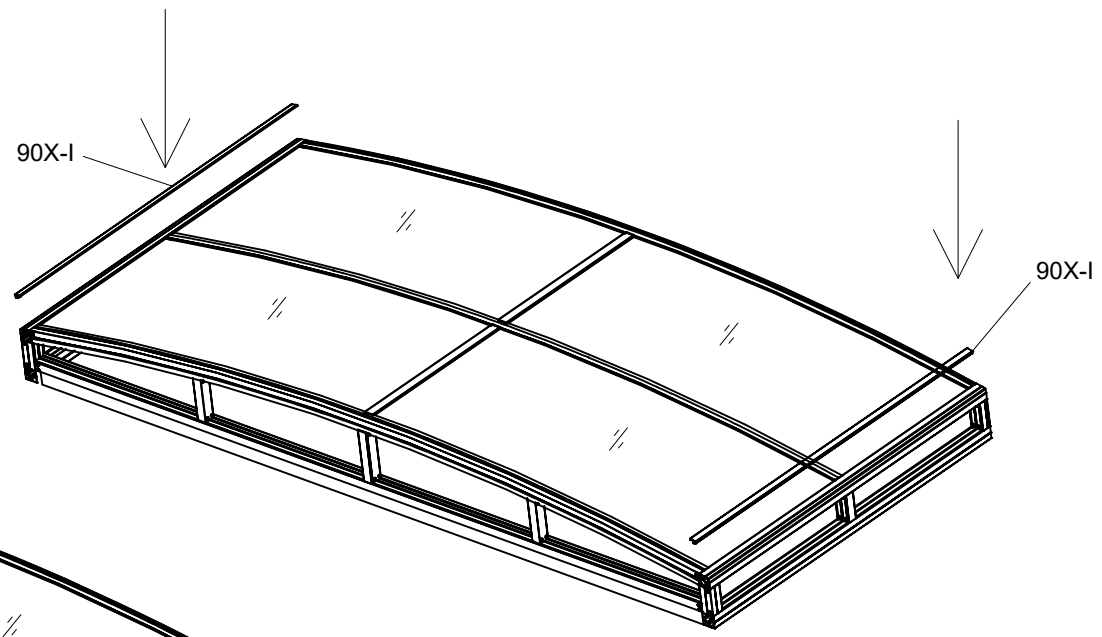
Part	product	NO.	QTY.	code
	SH9002F	1141×1029	4	G03
	SH9002F5	1141×1280		
	SH9003F	1141×1531		
	SH9003F5	1141×1783		
	SH9004F	1141×2034		
	SH9004F5	1141×2285		
	SH9005F	1141×2536		


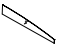


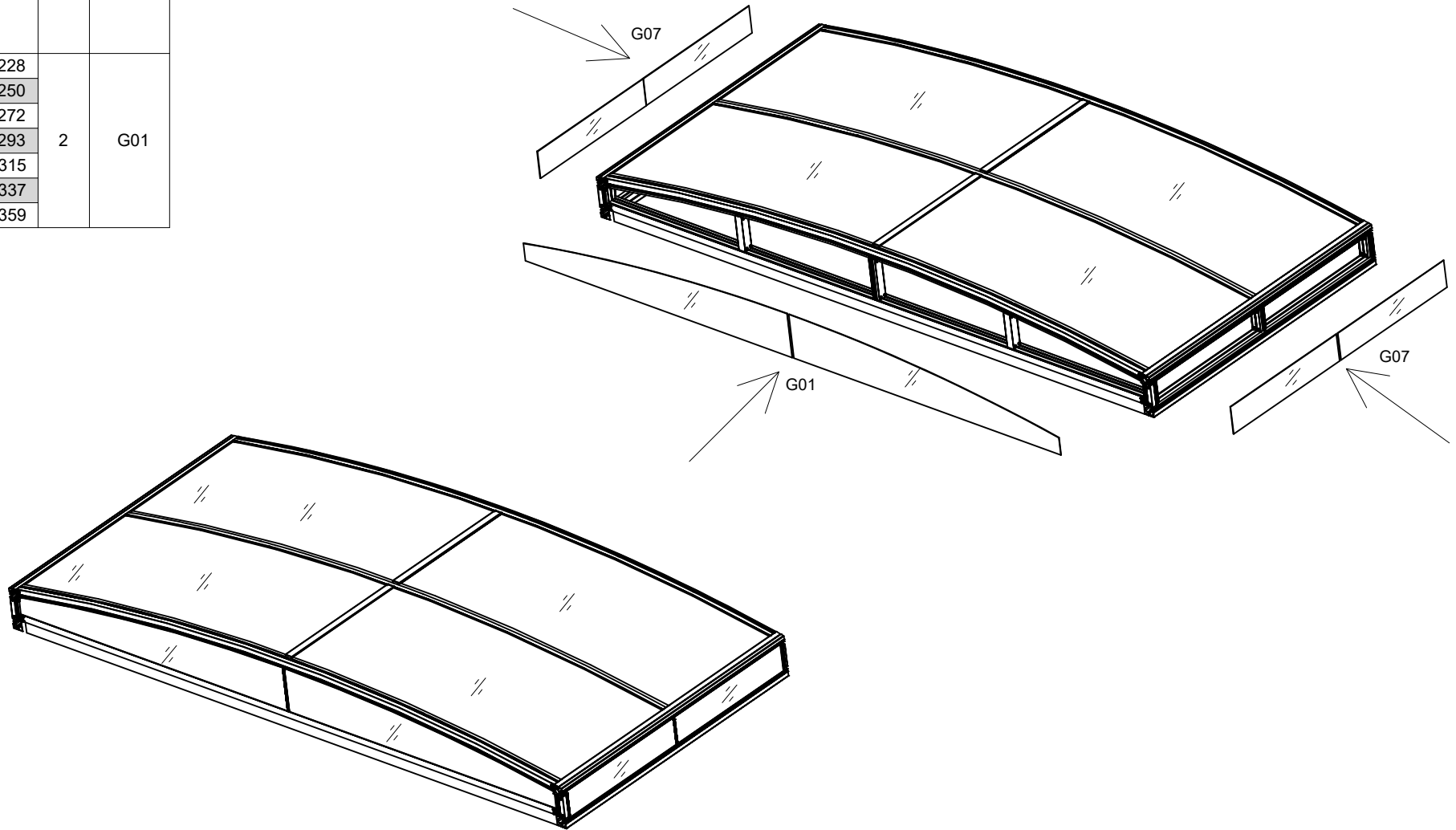
Part	product	NO.	Length(mm)	QTY.	code
H	SH9002F	92X-I4-1	2036	2	9X-I4-1
	SH9002F5	925X-I4-1	2538		
	SH9003F	93X-I4-1	3041		
	SH9003F5	935X-I4-1	3543		
	SH9004F	94X-I4-1	4046		
	SH9004F5	945X-I4-1	4548		
	SH9005F	95X-I4-1	5051		
H	SH9002F	92X-J4-1	2036	1	9X-J4-1
	SH9002F5	925X-J4-1	2538		
	SH9003F	93X-J4-1	3041		
	SH9003F5	935X-J4-1	3543		
	SH9004F	94X-J4-1	4046		
	SH9004F5	945X-J4-1	4548		
	SH9005F	95X-J4-1	5051		
H		90X-J-A	1099	2	



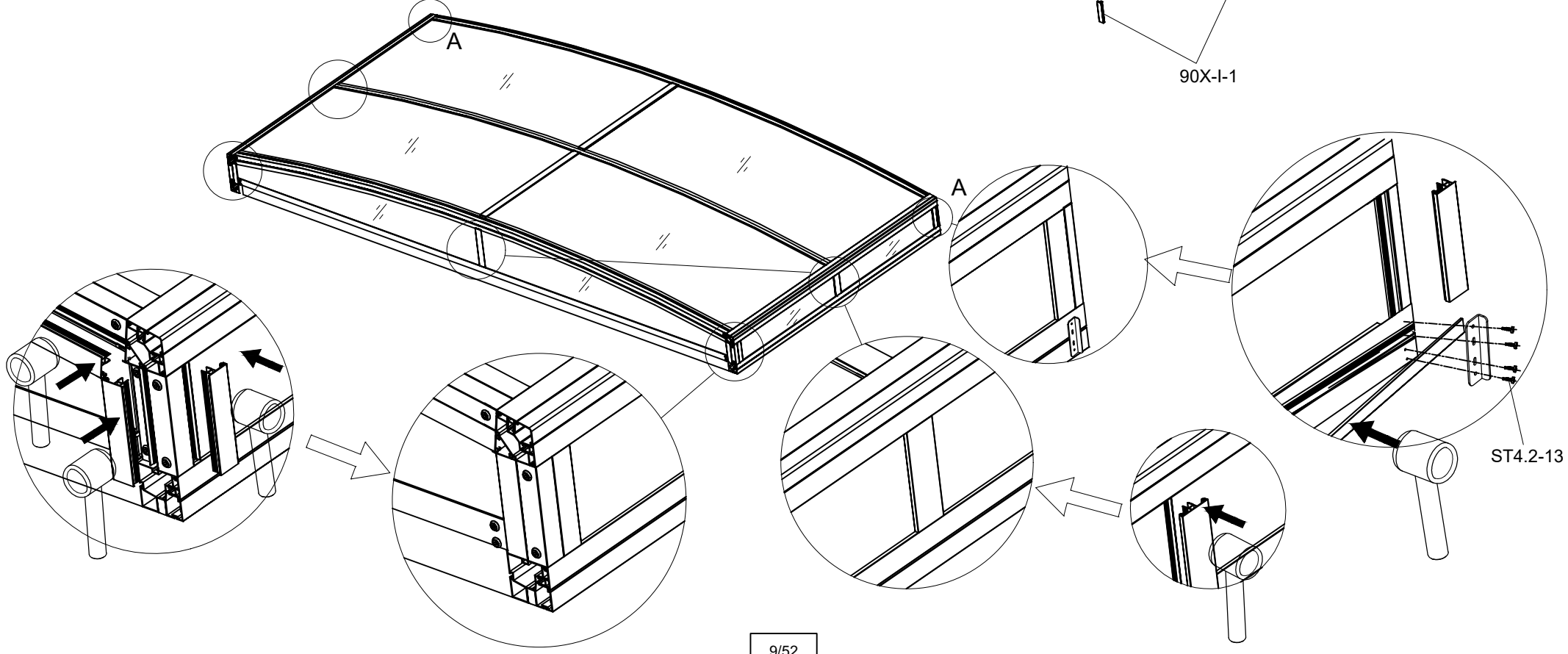
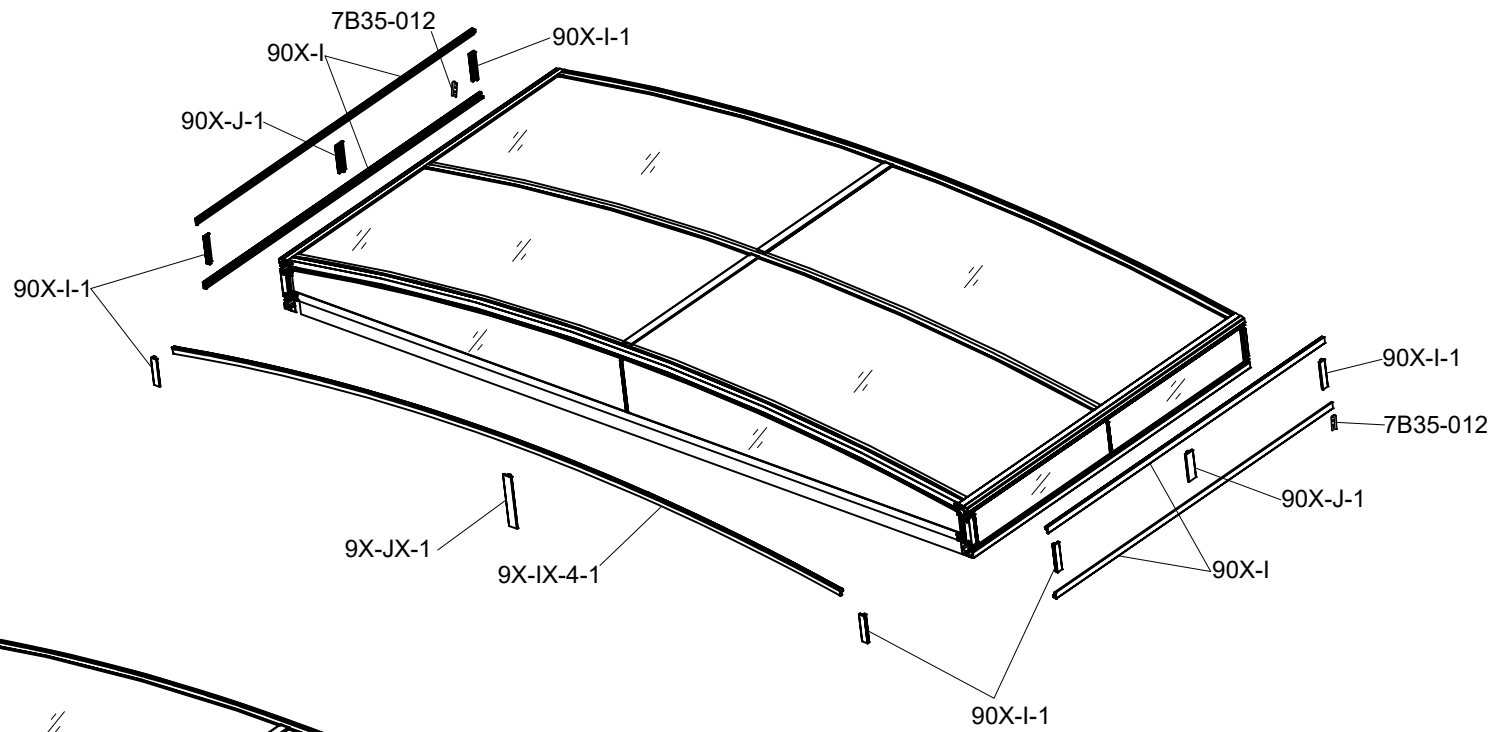
Part	NO.	Length(mm)	QTY.
▼▮	90X-I	2400	2









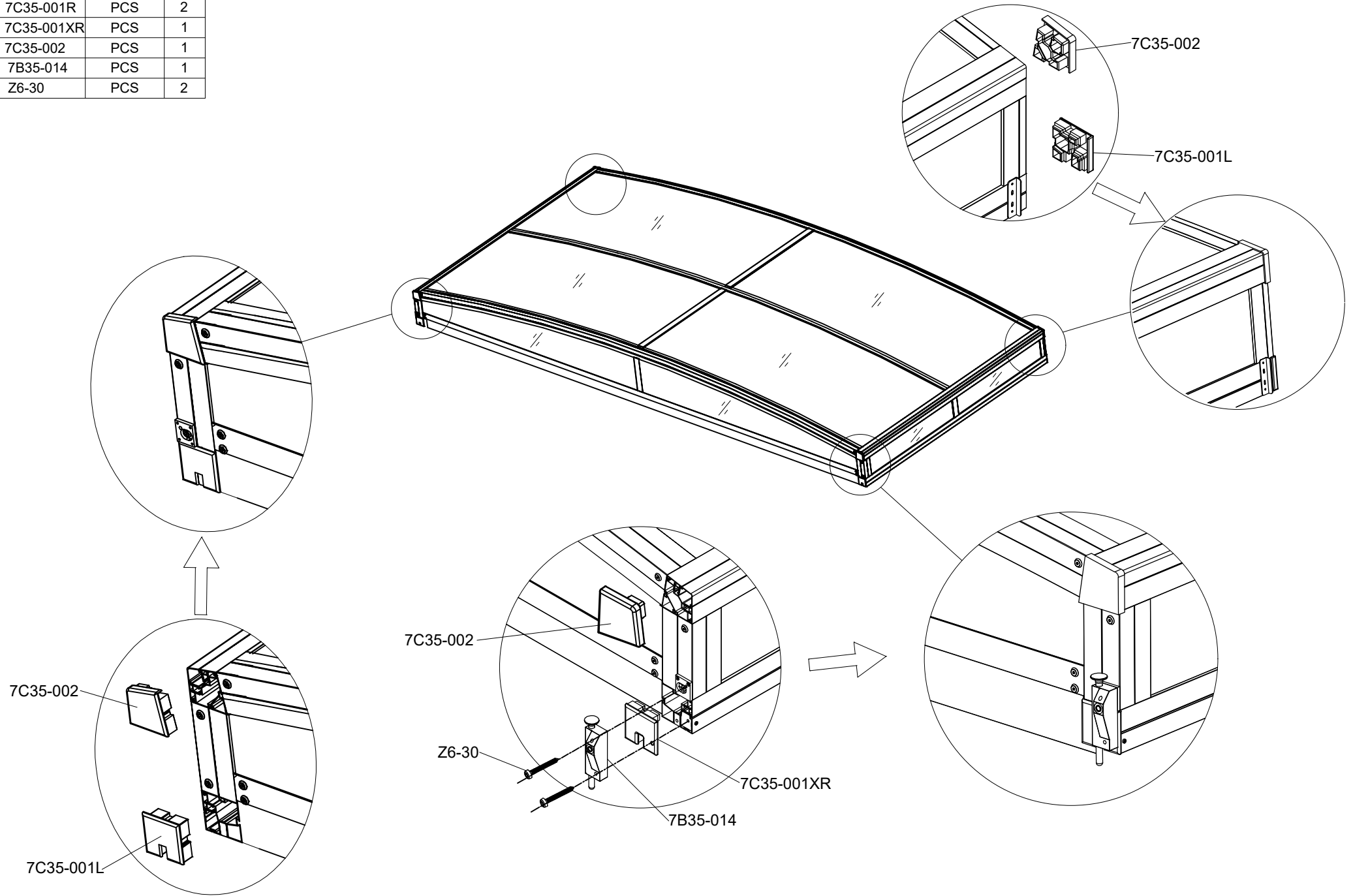
Part	product	NO.	QTY.	code
	SH9002F	1141×221	4	G07
	SH9002F5			
	SH9003F			
	SH9003F5			
	SH9004F			
	SH9004F5			
	SH9005F			
	SH9002F	1010×228	2	G01
	SH9002F5	1260×250		
	SH9003F	1510×272		
	SH9003F5	1760×293		
	SH9004F	2010×315		
	SH9004F5	2260×337		
	SH9005F	2510×359		



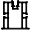






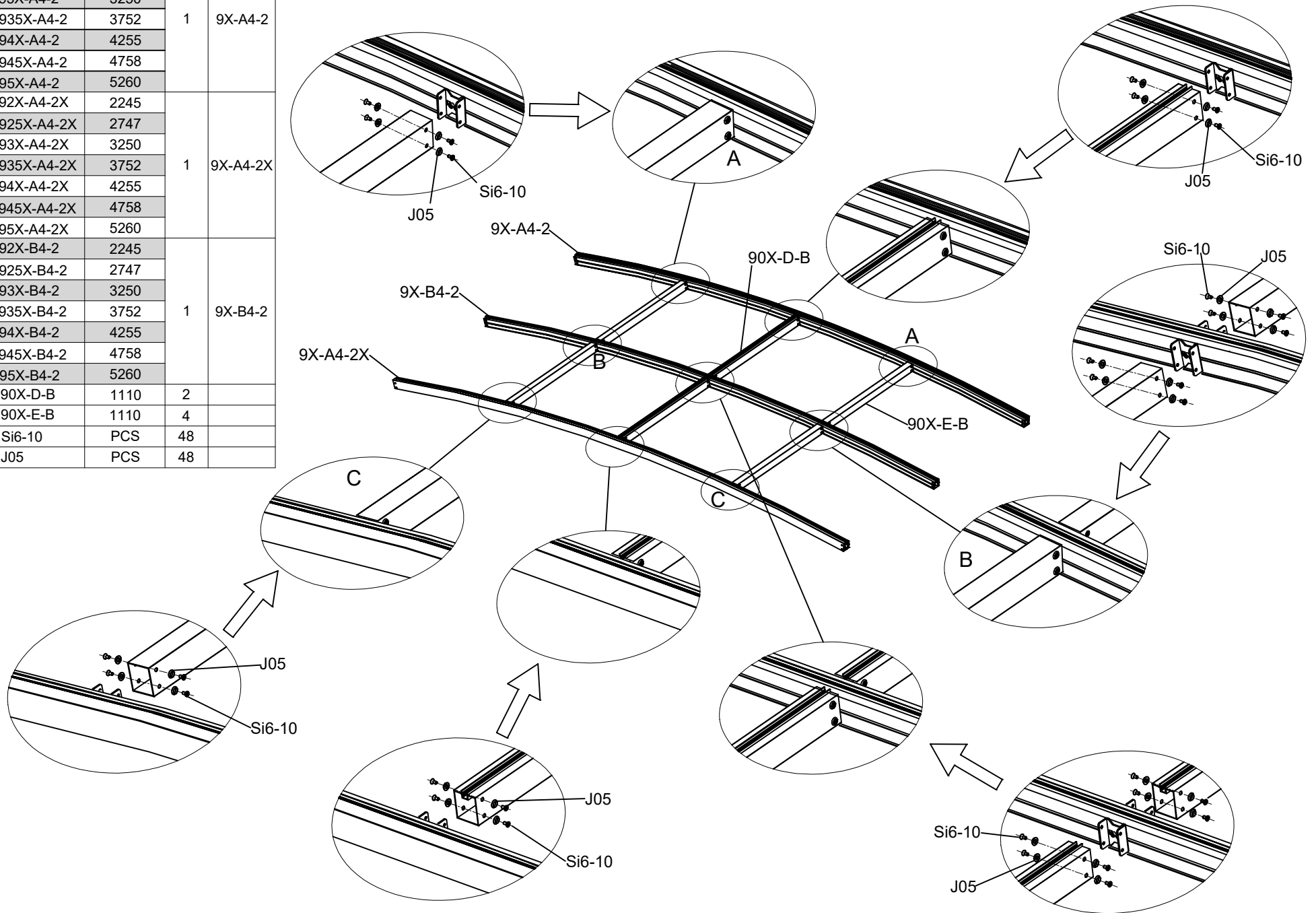
Part	product	NO.	Length(mm)	QTY.	code
H	SH9002F	92X-IX-4-1	2020	1	9X-IX-4-1
	SH9002F5	925X-IX-4-1	2523		
	SH9003F	93X-IX-4-1	3026		
	SH9003F5	935X-IX-4-1	3528		
	SH9004F	94X-IX-4-1	4031		
	SH9004F5	945X-IX-4-1	4534		
	SH9005F	95X-IX-4-1	5036		
H		90X-I	2400	4	
H		90X-I-1	180	6	
H		90X-J-1	180	2	
H	SH9002F	92X-JX-1	200	1	9X-JX-1
	SH9002F5	925X-JX-1	222		
	SH9003F	93X-JX-1	244		
	SH9003F5	935X-JX-1	266		
	SH9004F	94X-JX-1	288		
	SH9004F5	945X-JX-1	310		
	SH9005F	95X-JX-1	331		
		7B35-012	PCS	2	
		ST4.2-13	PCS	8	

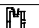
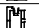
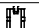









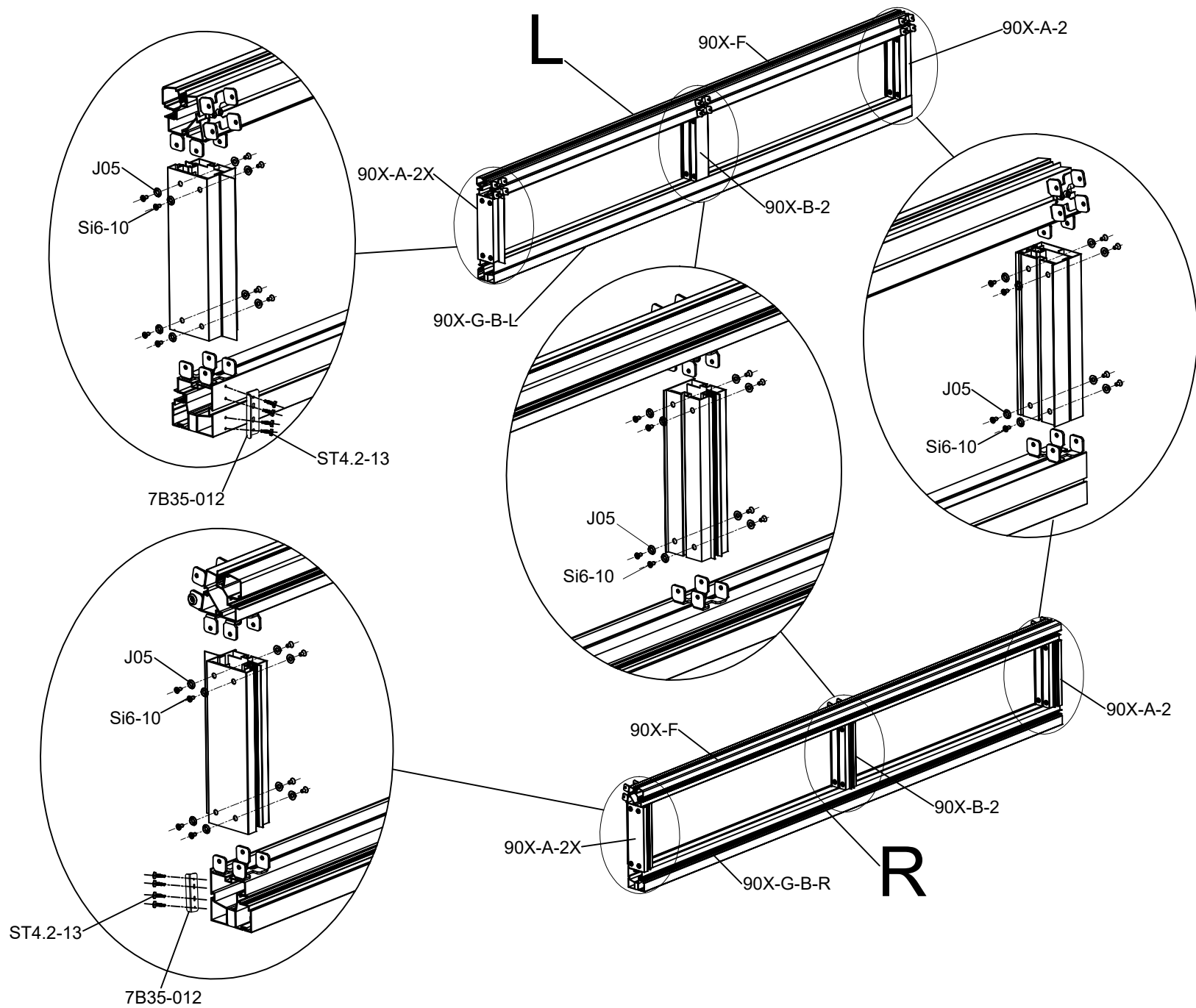
Part	NO.	Length(mm)	QTY.
	7C35-001L	PCS	4
	7C35-001R	PCS	2
	7C35-001XR	PCS	1
	7C35-002	PCS	1
	7B35-014	PCS	1
	Z6-30	PCS	2







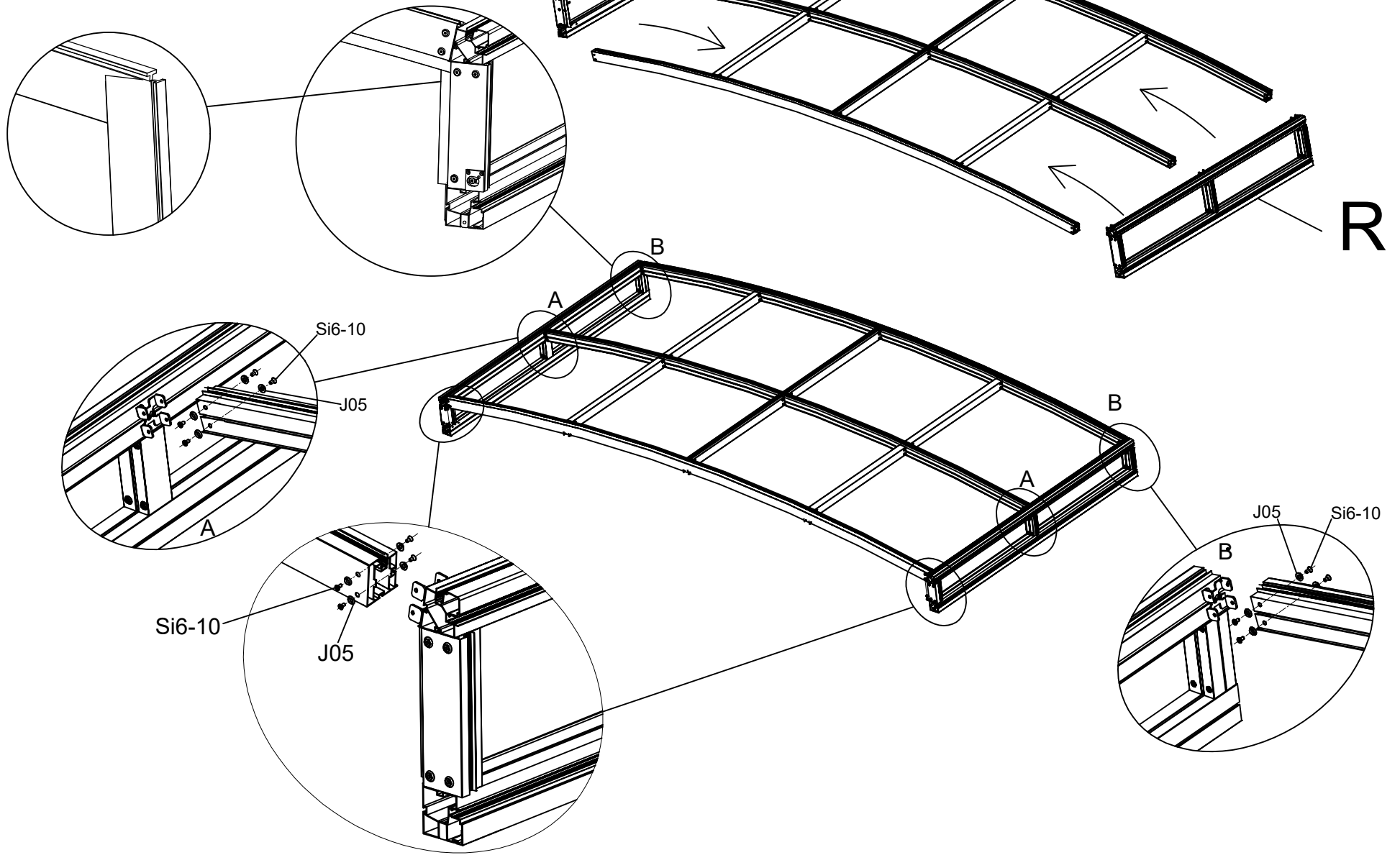
Part	product	NO.	Length(mm)	QTY.	code
	SH9002F	92X-A4-2	2245	1	9X-A4-2
	SH9002F5	925X-A4-2	2747		
	SH9003F	93X-A4-2	3250		
	SH9003F5	935X-A4-2	3752		
	SH9004F	94X-A4-2	4255		
	SH9004F5	945X-A4-2	4758		
	SH9005F	95X-A4-2	5260		
	SH9002F	92X-A4-2X	2245	1	9X-A4-2X
	SH9002F5	925X-A4-2X	2747		
	SH9003F	93X-A4-2X	3250		
	SH9003F5	935X-A4-2X	3752		
	SH9004F	94X-A4-2X	4255		
	SH9004F5	945X-A4-2X	4758		
	SH9005F	95X-A4-2X	5260		
	SH9002F	92X-B4-2	2245	1	9X-B4-2
	SH9002F5	925X-B4-2	2747		
	SH9003F	93X-B4-2	3250		
	SH9003F5	935X-B4-2	3752		
	SH9004F	94X-B4-2	4255		
	SH9004F5	945X-B4-2	4758		
	SH9005F	95X-B4-2	5260		
		90X-D-B	1110	2	
		90X-E-B	1110	4	
		Si6-10	PCS	48	
		J05	PCS	48	




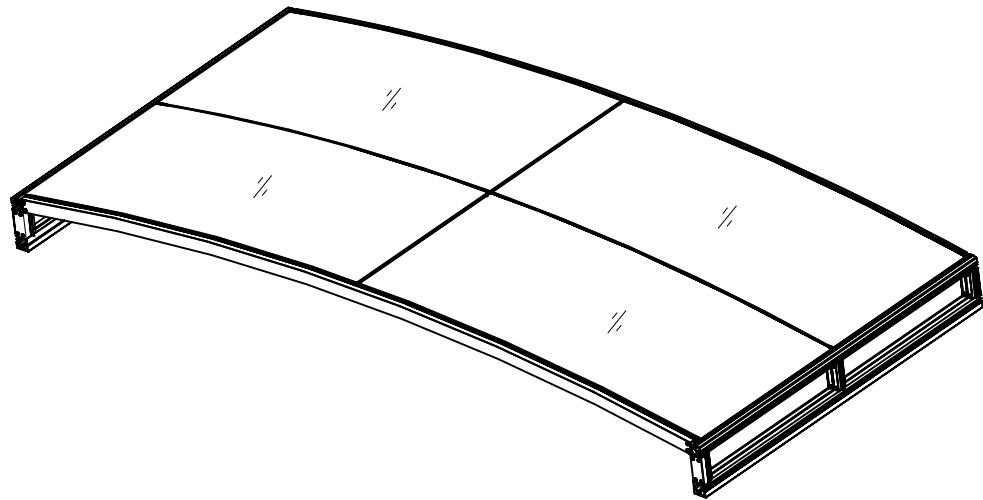
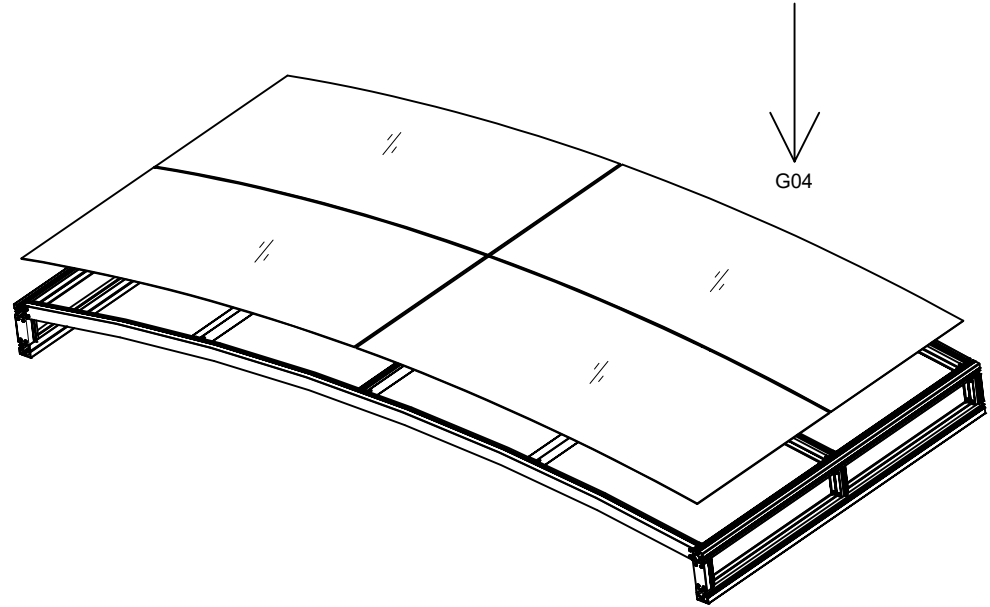
Part	NO.	Length(mm)	QTY.
	90X-A-2	265	2
	90X-A-2X	265	2
	90X-B-2	265	2
	90X-F	2400	2
	90X-G-B-L	2400	1
	90X-G-B-R	2400	1
	7B35-012	PCS	2
	ST4.2-13	PCS	8
	Si6-10	PCS	48
	J05	PCS	48



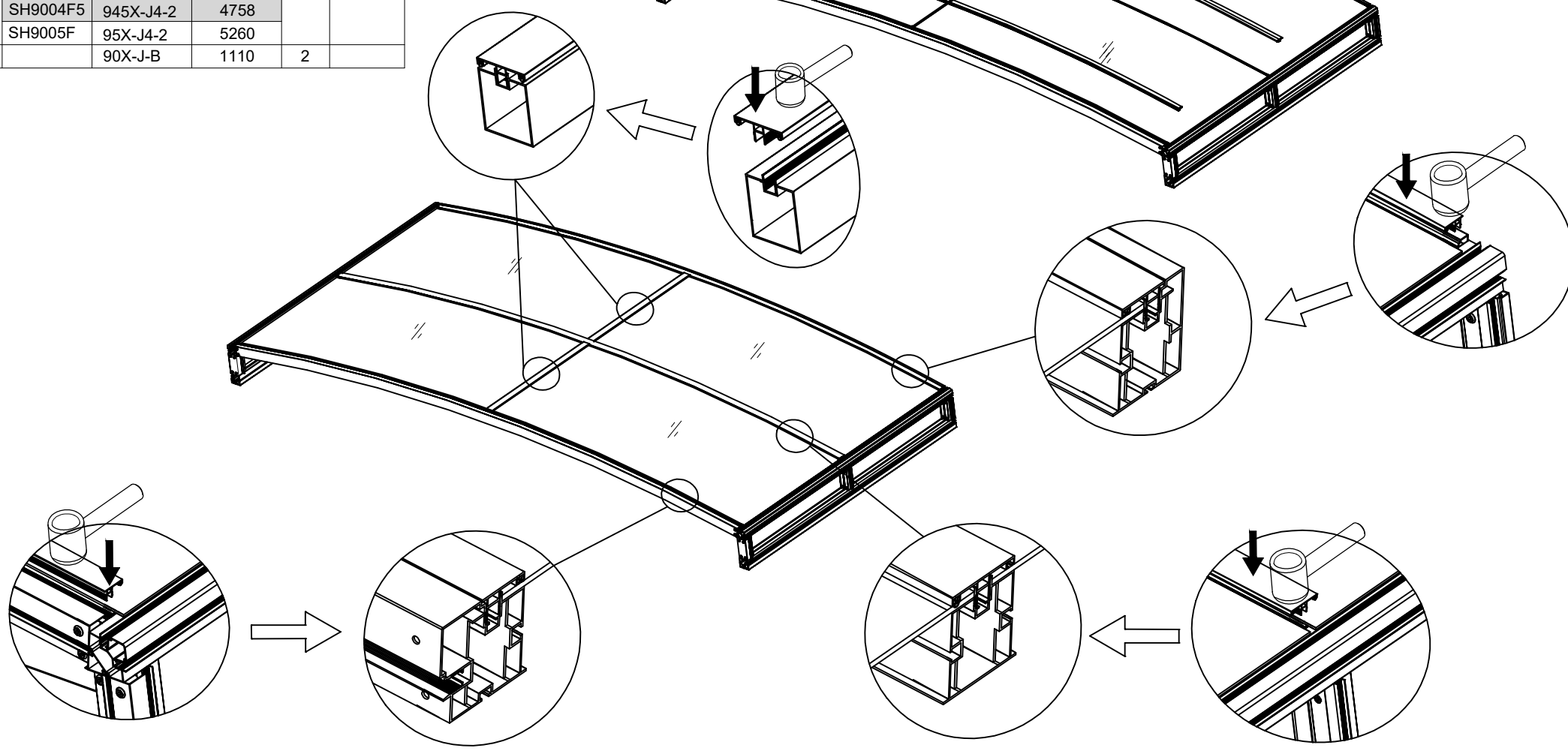
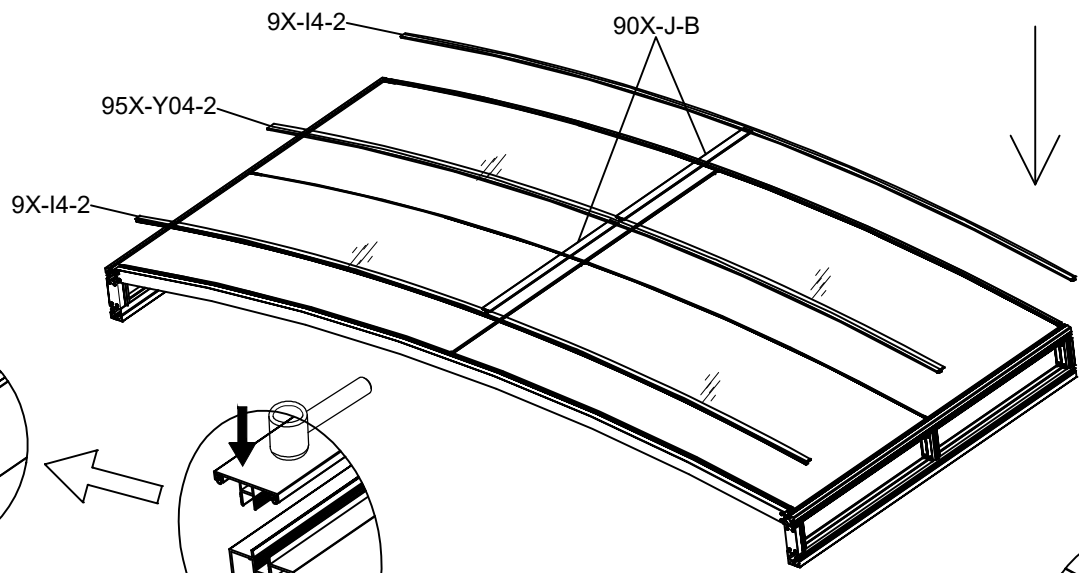
Part	NO.	Length(mm)	QTY.
	Page11	PCS	1
	Page12	PCS	1
	Si6-10	PCS	24
	J05	PCS	24



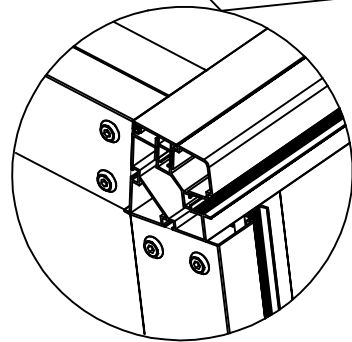
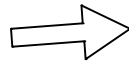
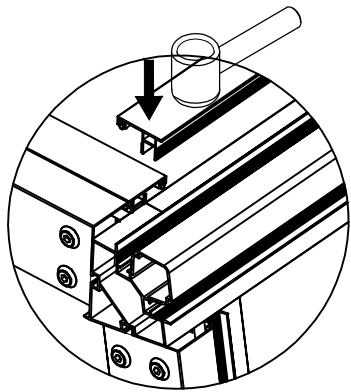
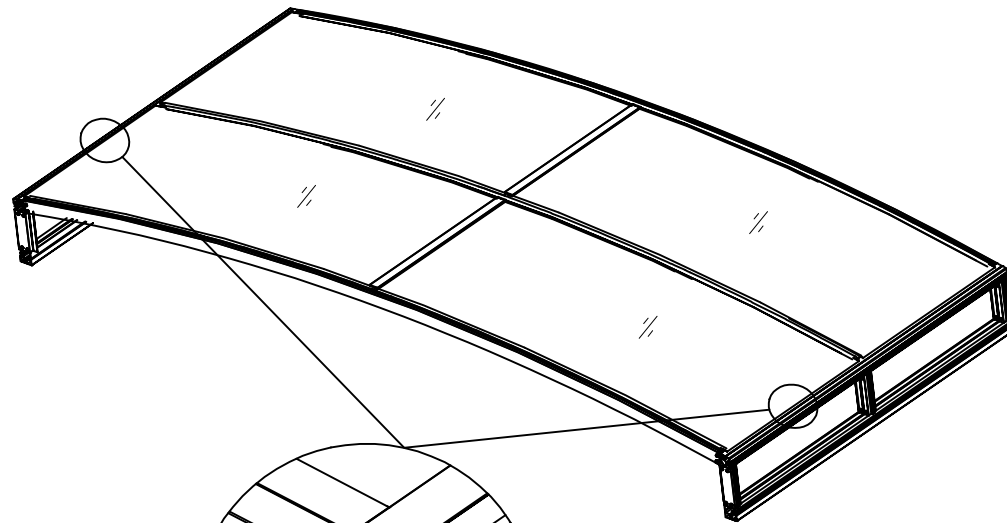
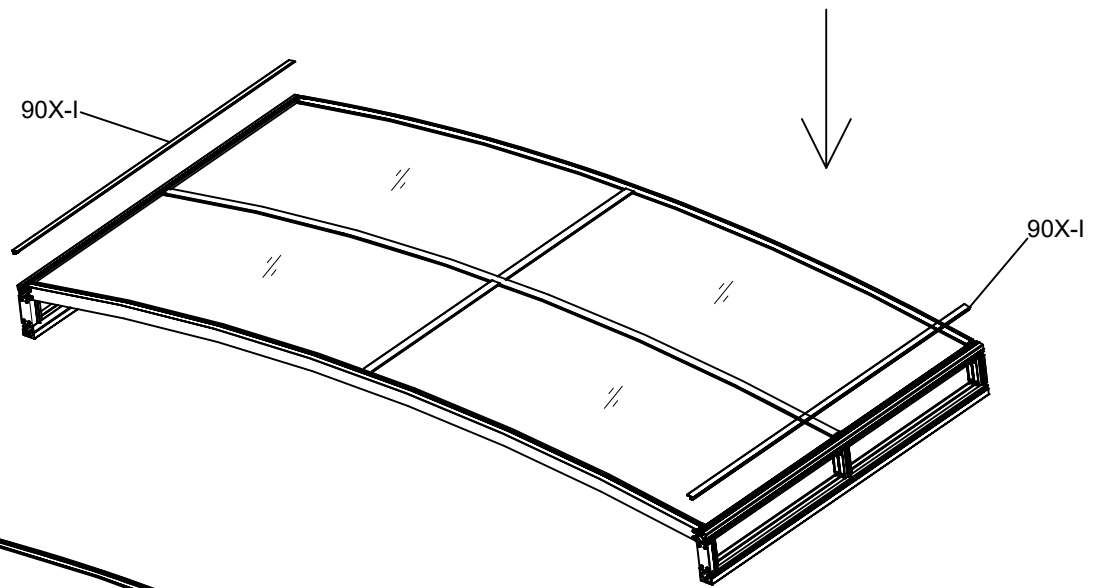
Part	product	NO.	QTY.	code
	SH9002F	1151×1133	4	G04
	SH9002F5	1151×1385		
	SH9003F	1151×1638		
	SH9003F5	1151×1887		
	SH9004F	1151×2138		
	SH9004F5	1151×2390		
	SH9005F	1151×2641		




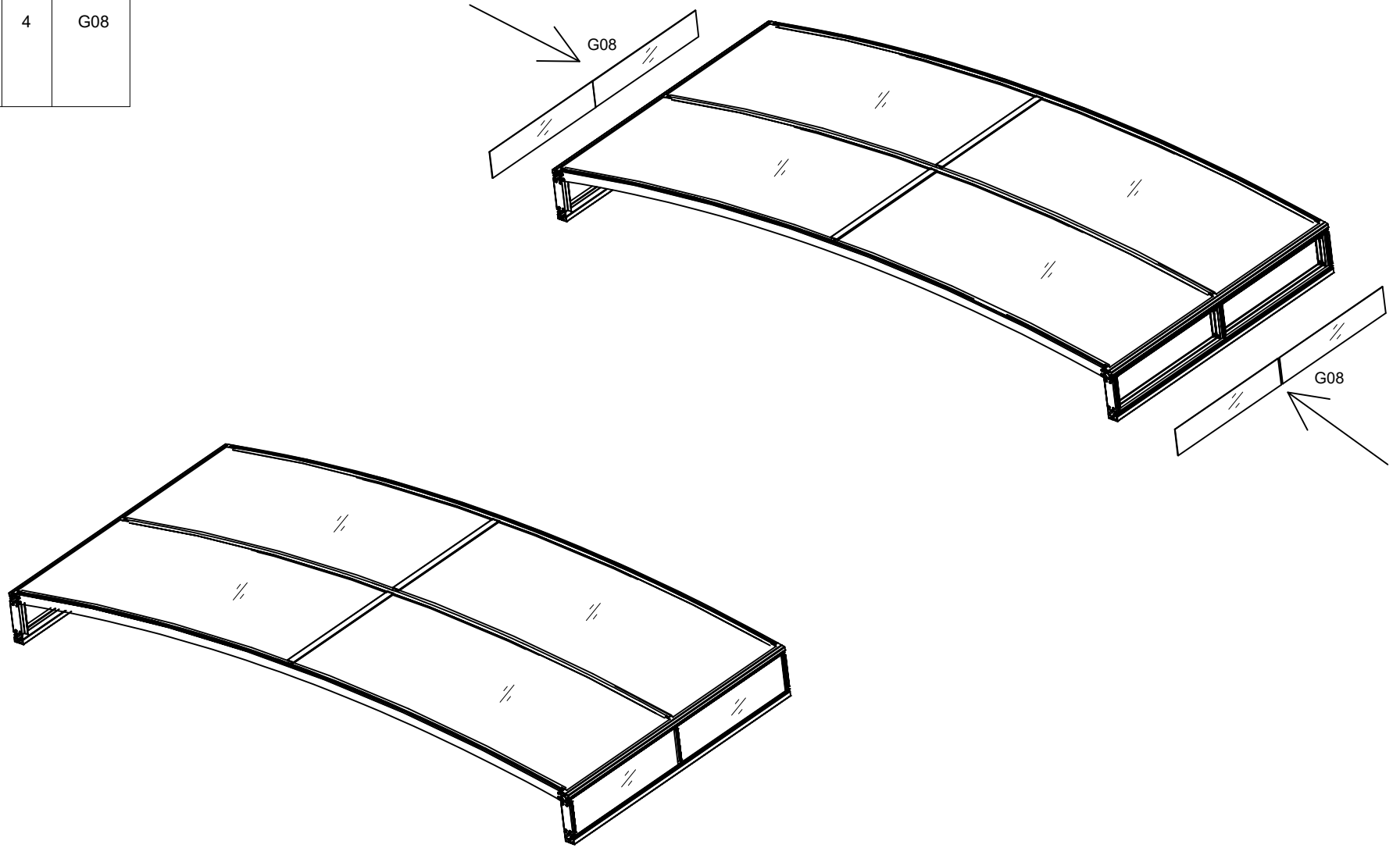
Part	product	NO.	Length(mm)	QTY.	code
□H	SH9002F	92X-I4-2	2245	2	9X-I4-2
	SH9002F5	925X-I4-2	2747		
	SH9003F	93X-I4-2	3250		
	SH9003F5	935X-I4-2	3752		
	SH9004F	94X-I4-2	4255		
	SH9004F5	945X-I4-2	4758		
	SH9005F	95X-I4-2	5260		
□H	SH9002F	92X-J4-2	2245	1	9X-J4-2
	SH9002F5	925X-J4-2	2747		
	SH9003F	93X-J4-2	3250		
	SH9003F5	935X-J4-2	3752		
	SH9004F	94X-J4-2	4255		
	SH9004F5	945X-J4-2	4758		
	SH9005F	95X-J4-2	5260		
□H		90X-J-B	1110	2	








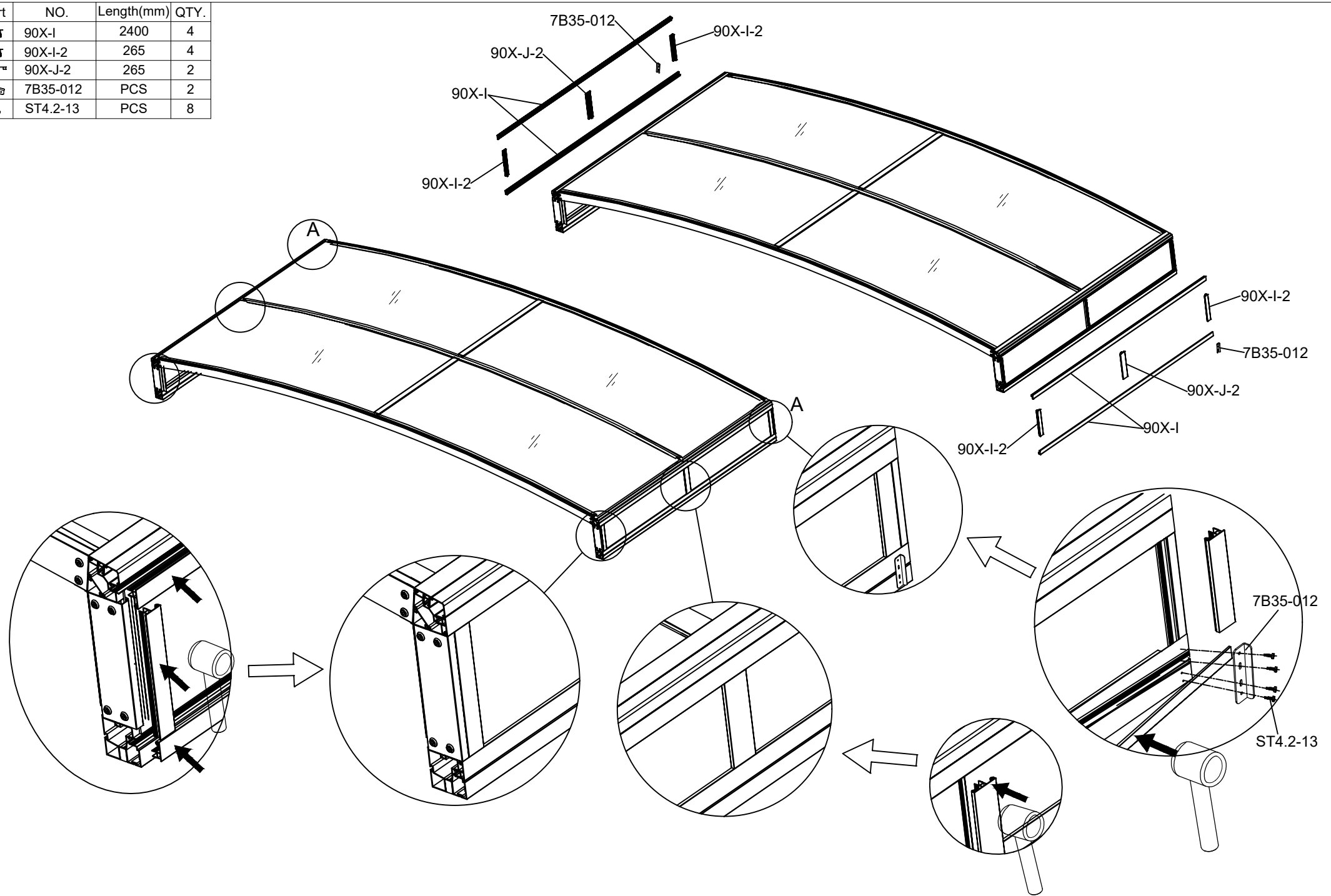
Part	NO.	Length(mm)	QTY.
▼▮	90X-1	2400	2






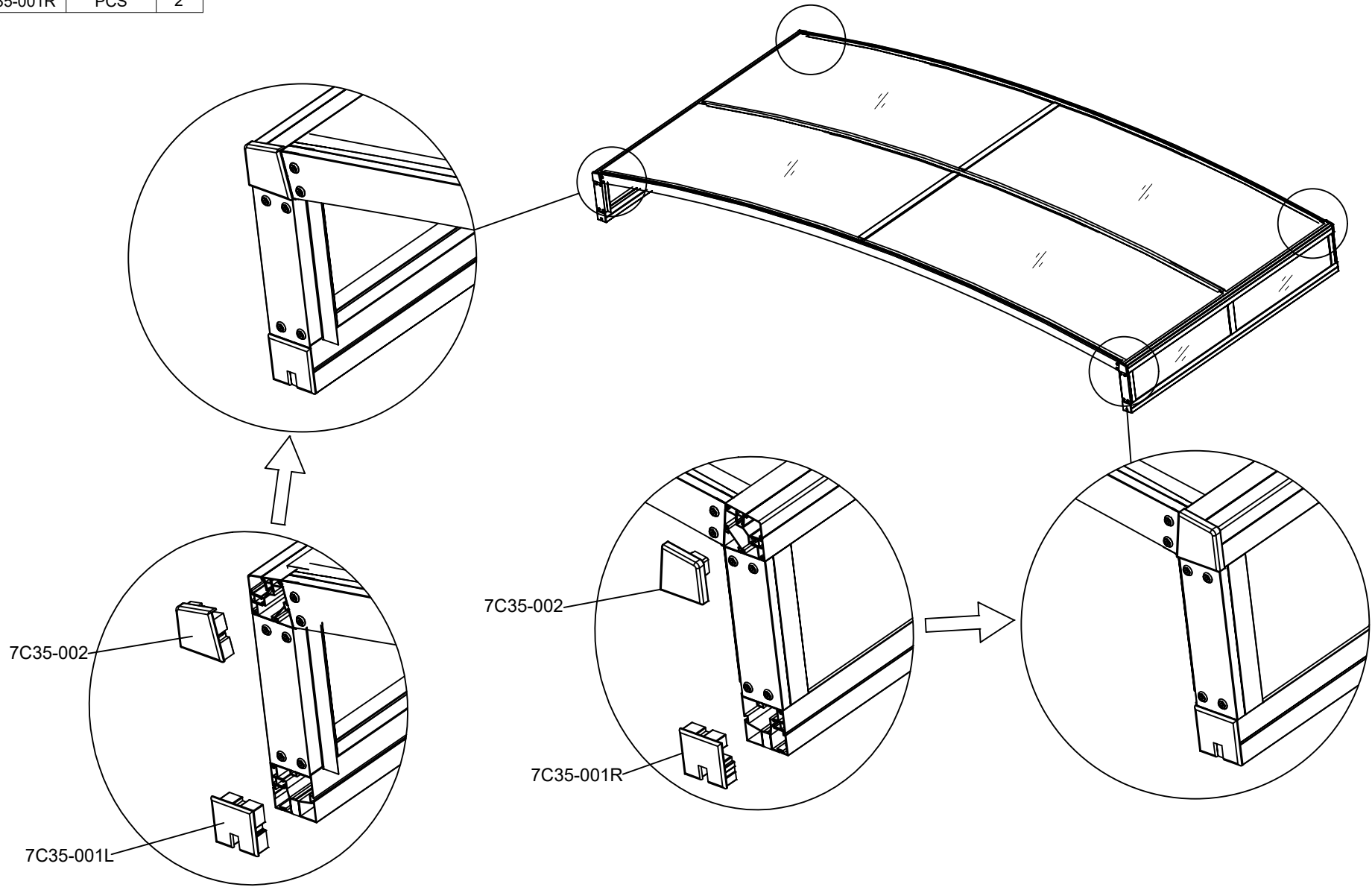
Part	product	NO.	QTY.	code
	SH9002F	1151×306	4	G08
	SH9002F5			
	SH9003F			
	SH9003F5			
	SH9004F			
	SH9004F5			
	SH9005F			










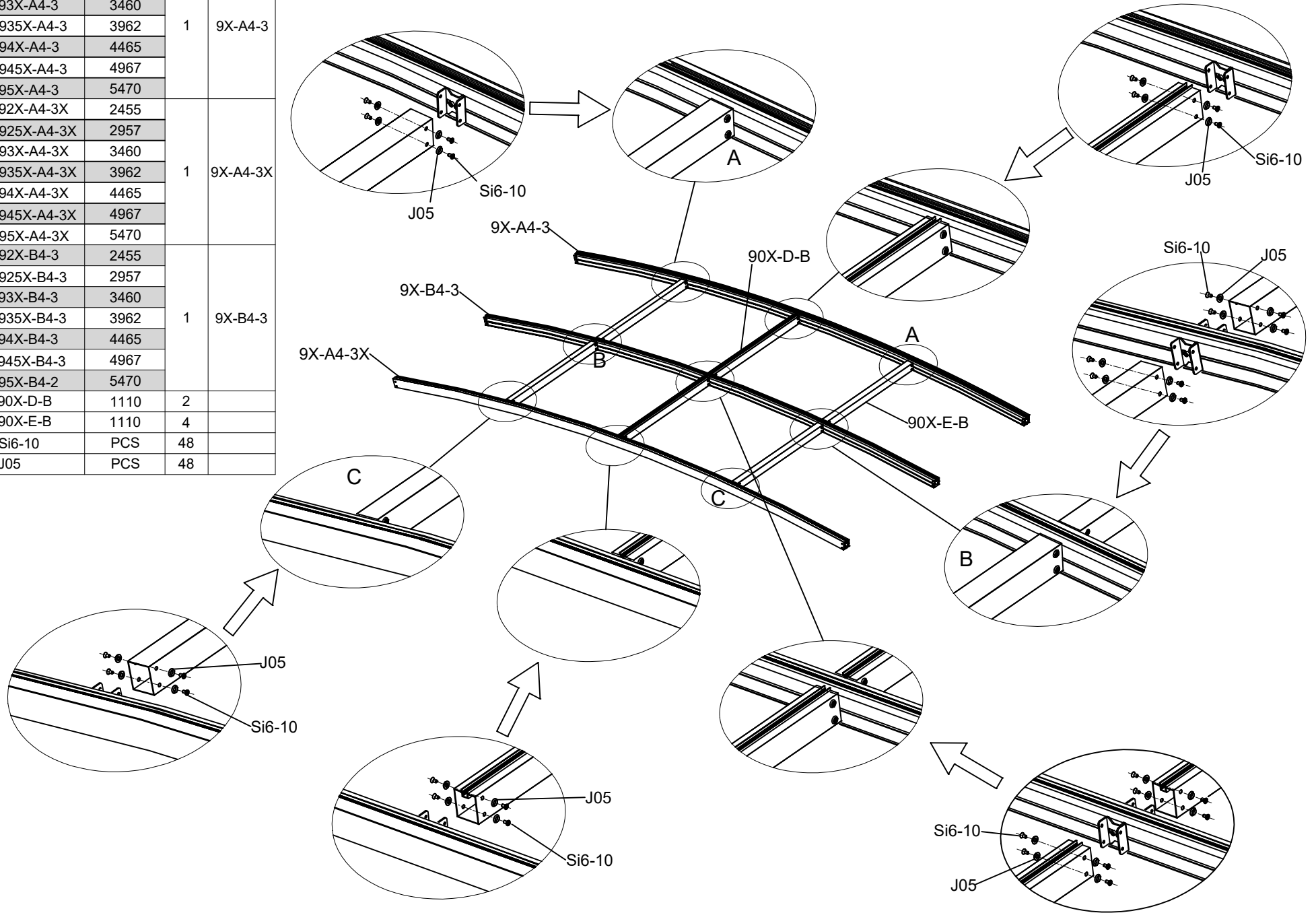
Part	NO.	Length(mm)	QTY.
	90X-I	2400	4
	90X-I-2	265	4
	90X-J-2	265	2
	7B35-012	PCS	2
	ST4.2-13	PCS	8







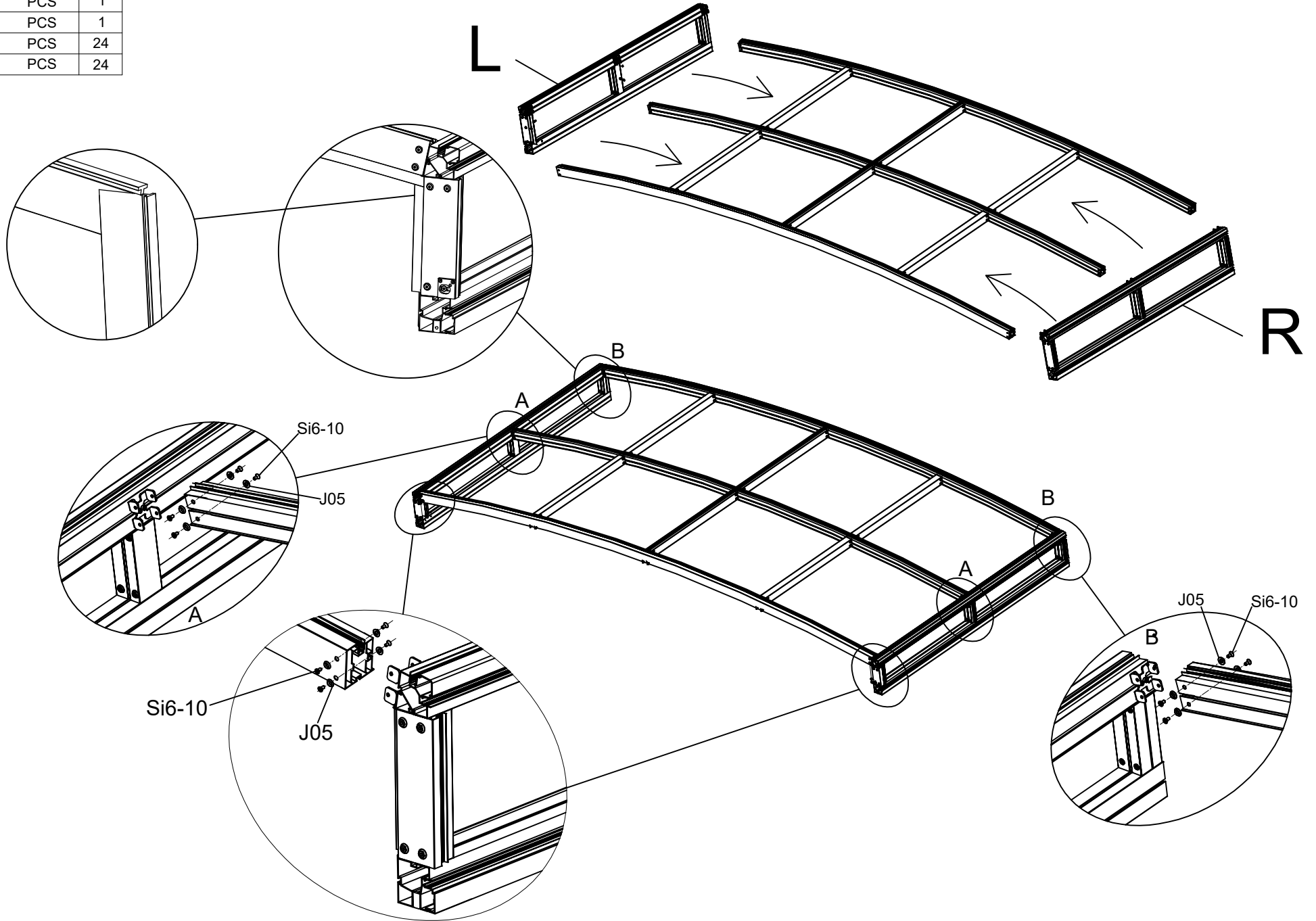
Part	NO.	Length(mm)	QTY.
	7C35-002	PCS	4
	7C35-001L	PCS	2
	7C35-001R	PCS	2




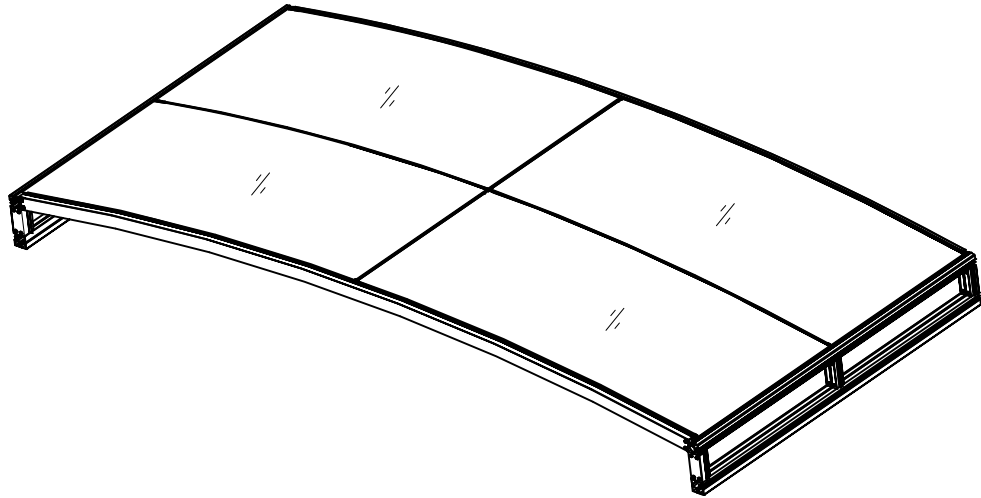
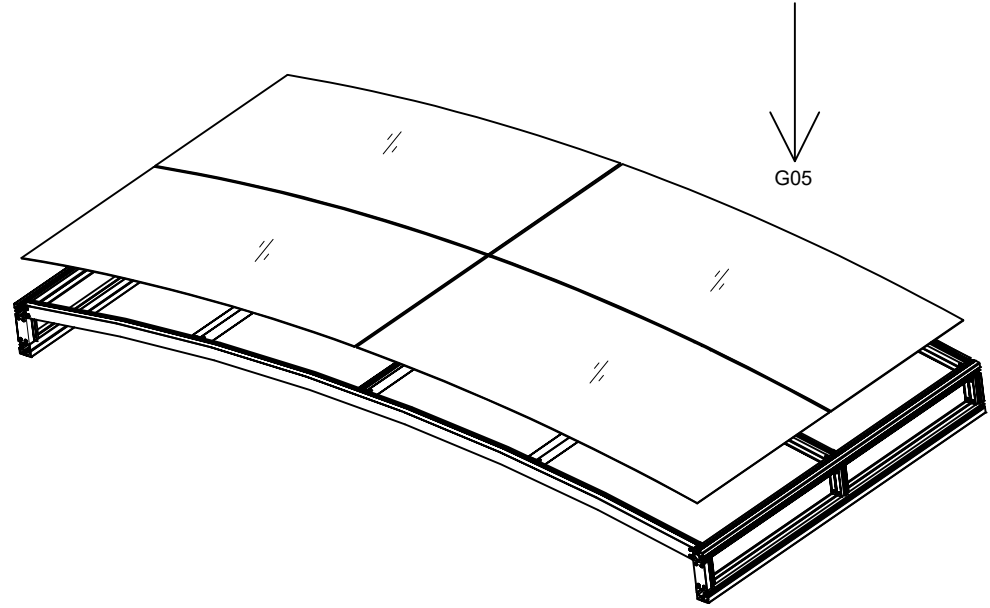
Part	product	NO.	Length(mm)	QTY.	code
	SH9002F	92X-A4-3	2455	1	9X-A4-3
	SH9002F5	925X-A4-3	2957		
	SH9003F	93X-A4-3	3460		
	SH9003F5	935X-A4-3	3962		
	SH9004F	94X-A4-3	4465		
	SH9004F5	945X-A4-3	4967		
	SH9005F	95X-A4-3	5470		
	SH9002F	92X-A4-3X	2455	1	9X-A4-3X
	SH9002F5	925X-A4-3X	2957		
	SH9003F	93X-A4-3X	3460		
	SH9003F5	935X-A4-3X	3962		
	SH9004F	94X-A4-3X	4465		
	SH9004F5	945X-A4-3X	4967		
	SH9005F	95X-A4-3X	5470		
	SH9002F	92X-B4-3	2455	1	9X-B4-3
	SH9002F5	925X-B4-3	2957		
	SH9003F	93X-B4-3	3460		
	SH9003F5	935X-B4-3	3962		
	SH9004F	94X-B4-3	4465		
	SH9004F5	945X-B4-3	4967		
	SH9005F	95X-B4-2	5470		
		90X-D-B	1110	2	
		90X-E-B	1110	4	
		Si6-10	PCS	48	
		J05	PCS	48	



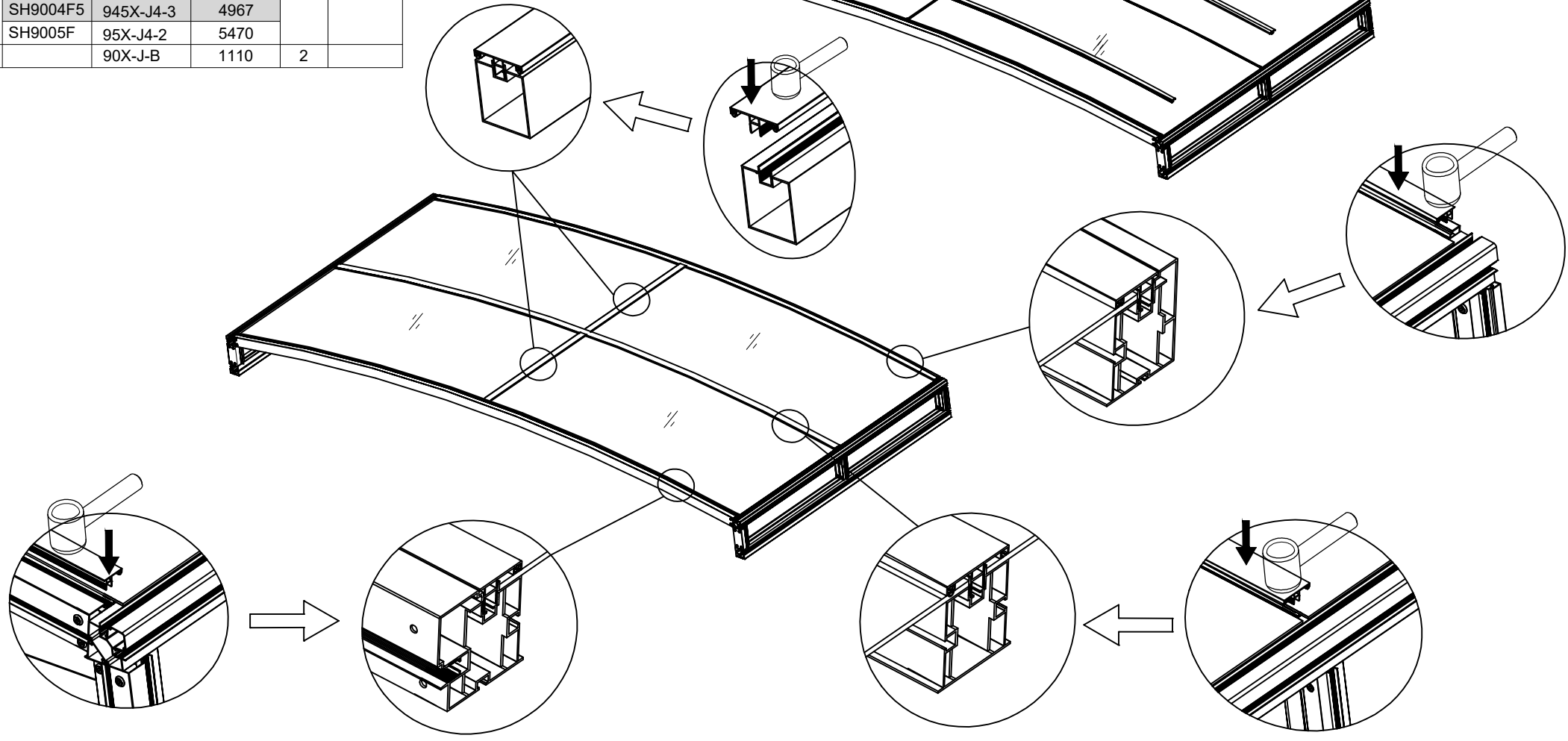
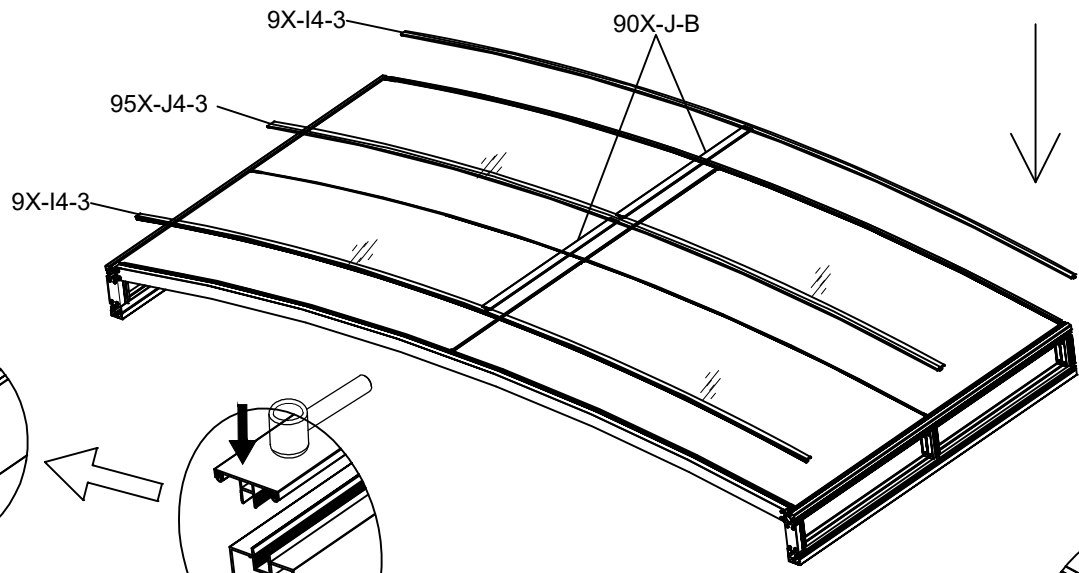
Part	NO.	Length(mm)	QTY.
	Page20	PCS	1
	Page21	PCS	1
	Si6-10	PCS	24
	J05	PCS	24



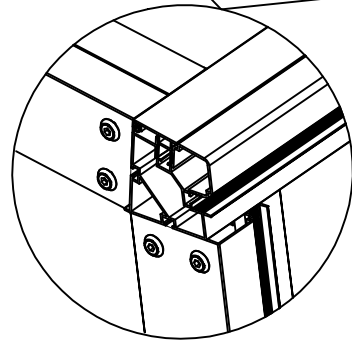
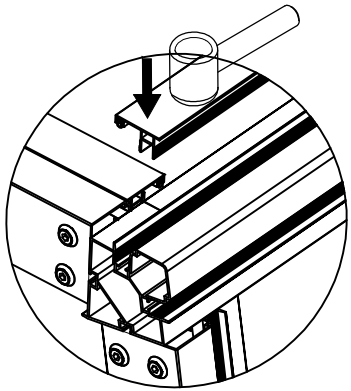
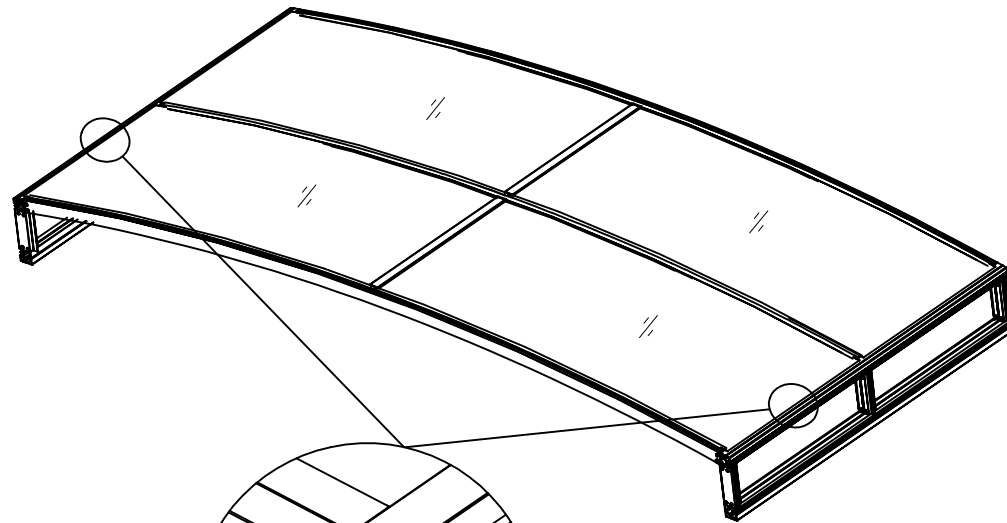
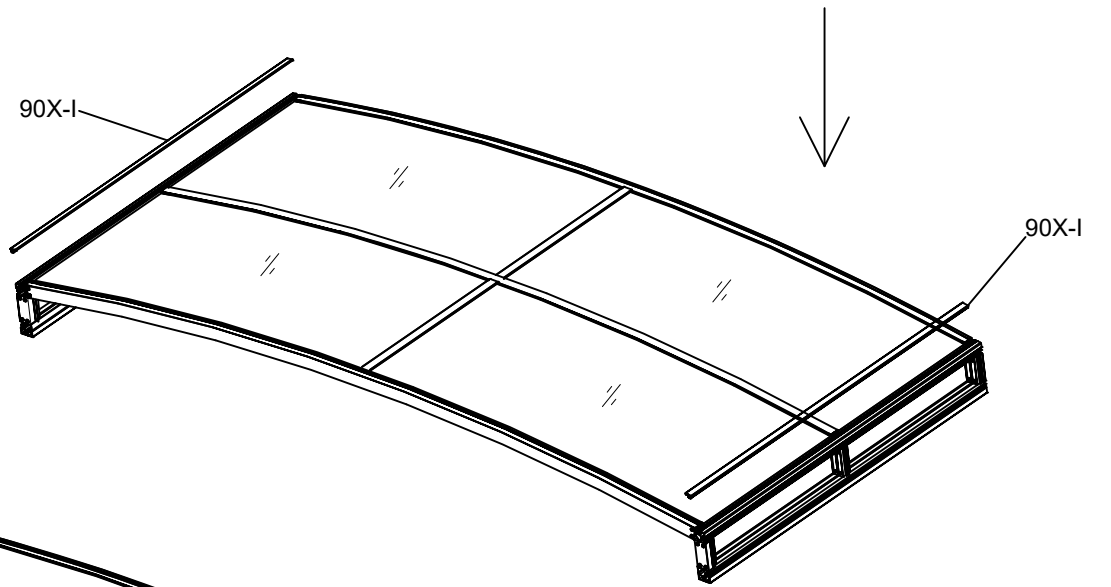
Part	product	NO.	QTY.	code
	SH9002F	1151×1238	4	G05
	SH9002F5	1151×1491		
	SH9003F	1151×1741		
	SH9003F5	1151×1992		
	SH9004F	1151×2243		
	SH9004F5	1151×2495		
	SH9005F	1151×2746		




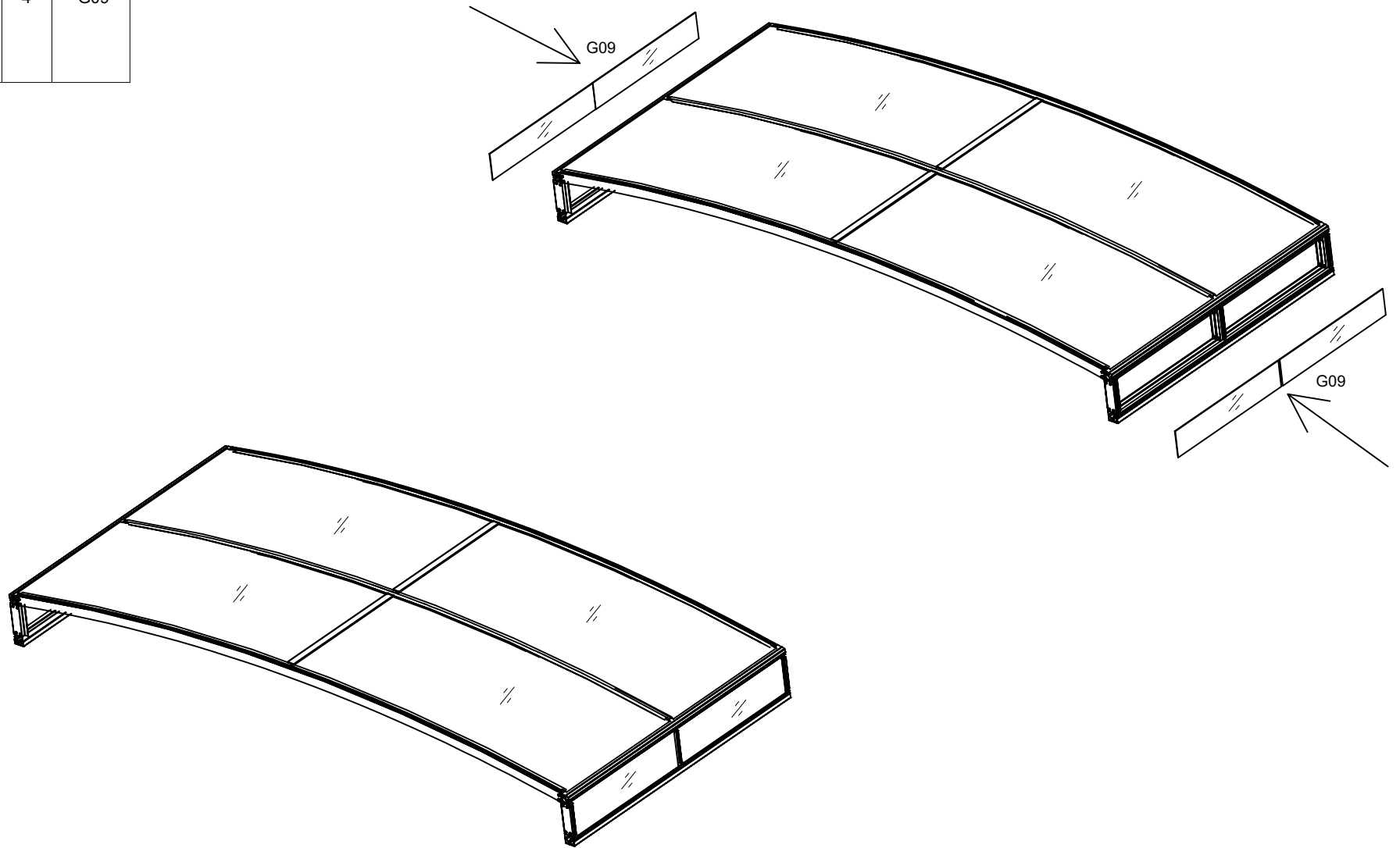
Part	product	NO.	Length(mm)	QTY.	code
▼H	SH9002F	92X-I4-3	2455	2	9X-I4-3
	SH9002F5	925X-I4-3	2957		
	SH9003F	93X-I4-3	3460		
	SH9003F5	935X-I4-3	3962		
	SH9004F	94X-I4-3	4465		
	SH9004F5	945X-I4-3	4967		
▼H	SH9005F	95X-I4-3	5470	1	9X-J4-3
	SH9002F	92X-J4-3	2455		
	SH9002F5	925X-J4-3	2957		
	SH9003F	93X-J4-3	3460		
	SH9003F5	935X-J4-3	3962		
	SH9004F	94X-J4-3	4465		
▼H	SH9004F5	945X-J4-3	4967	2	90X-J-B
	SH9005F	95X-J4-2	5470		



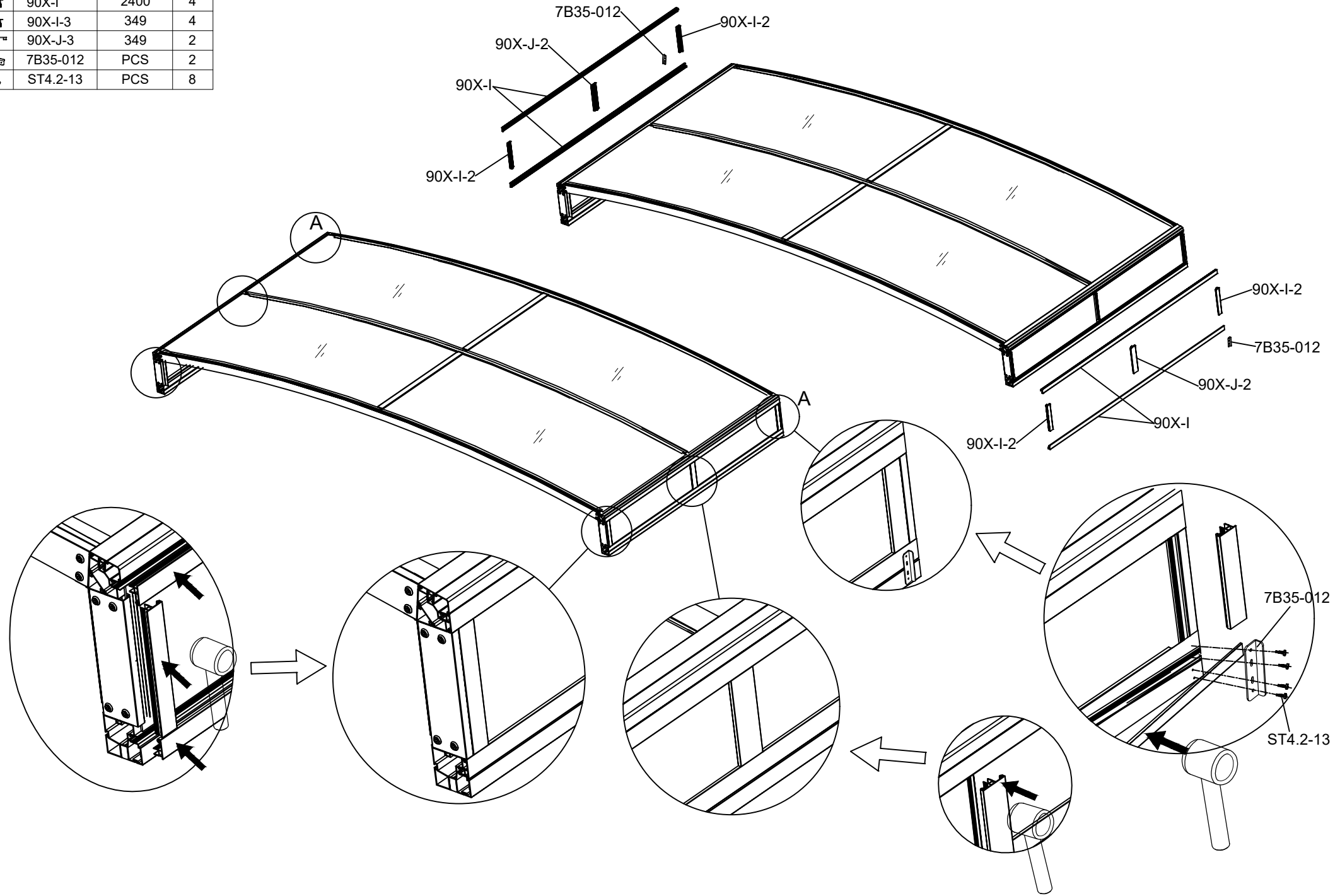
Part	NO.	Length(mm)	QTY.
▼ ▮	90X-1	2400	2






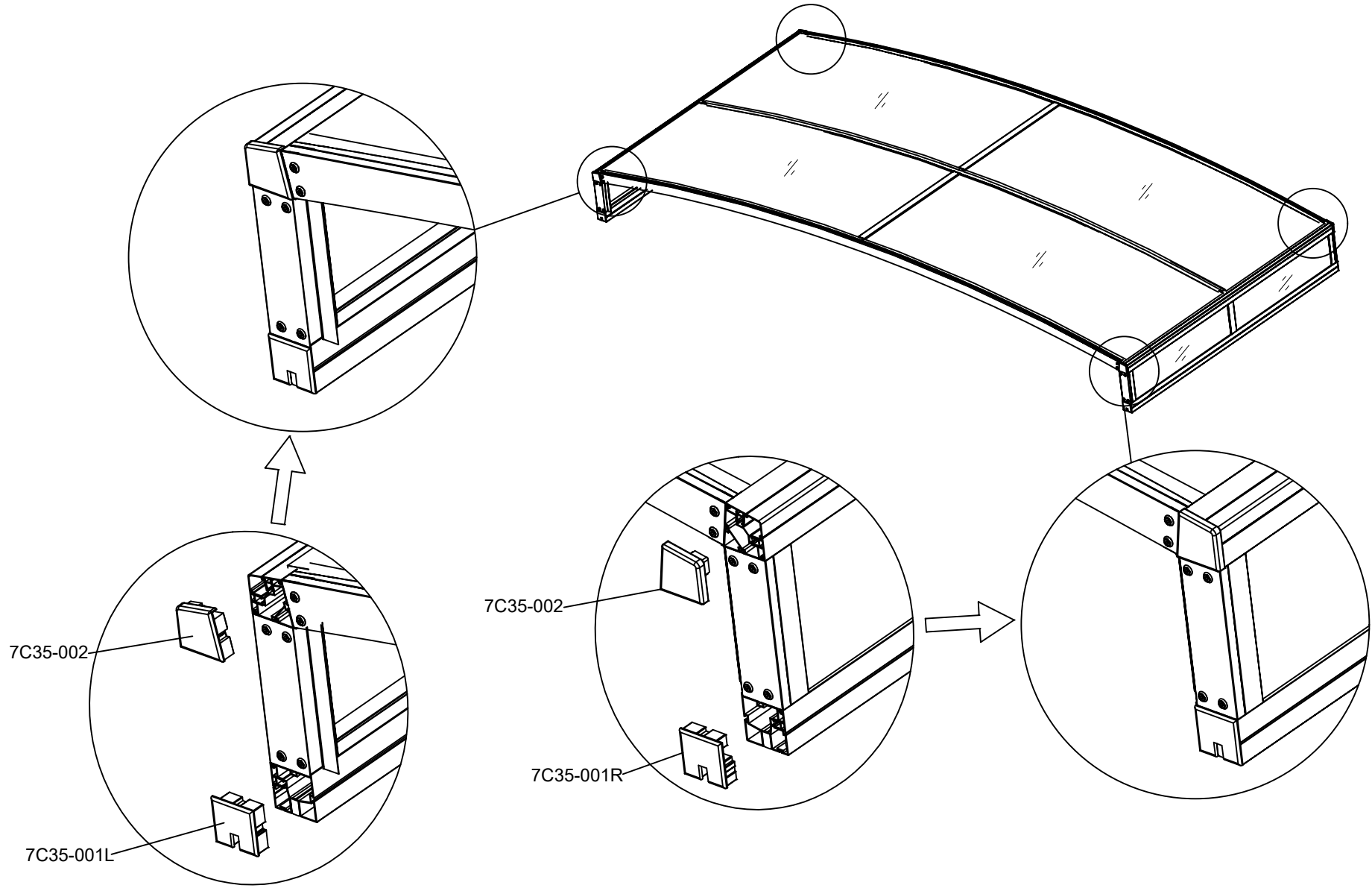
Part	product	NO.	QTY.	code
	SH9002F	1151×390	4	G09
	SH9002F5			
	SH9003F			
	SH9003F5			
	SH9004F			
	SH9004F5			
	SH9005F			


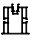
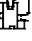






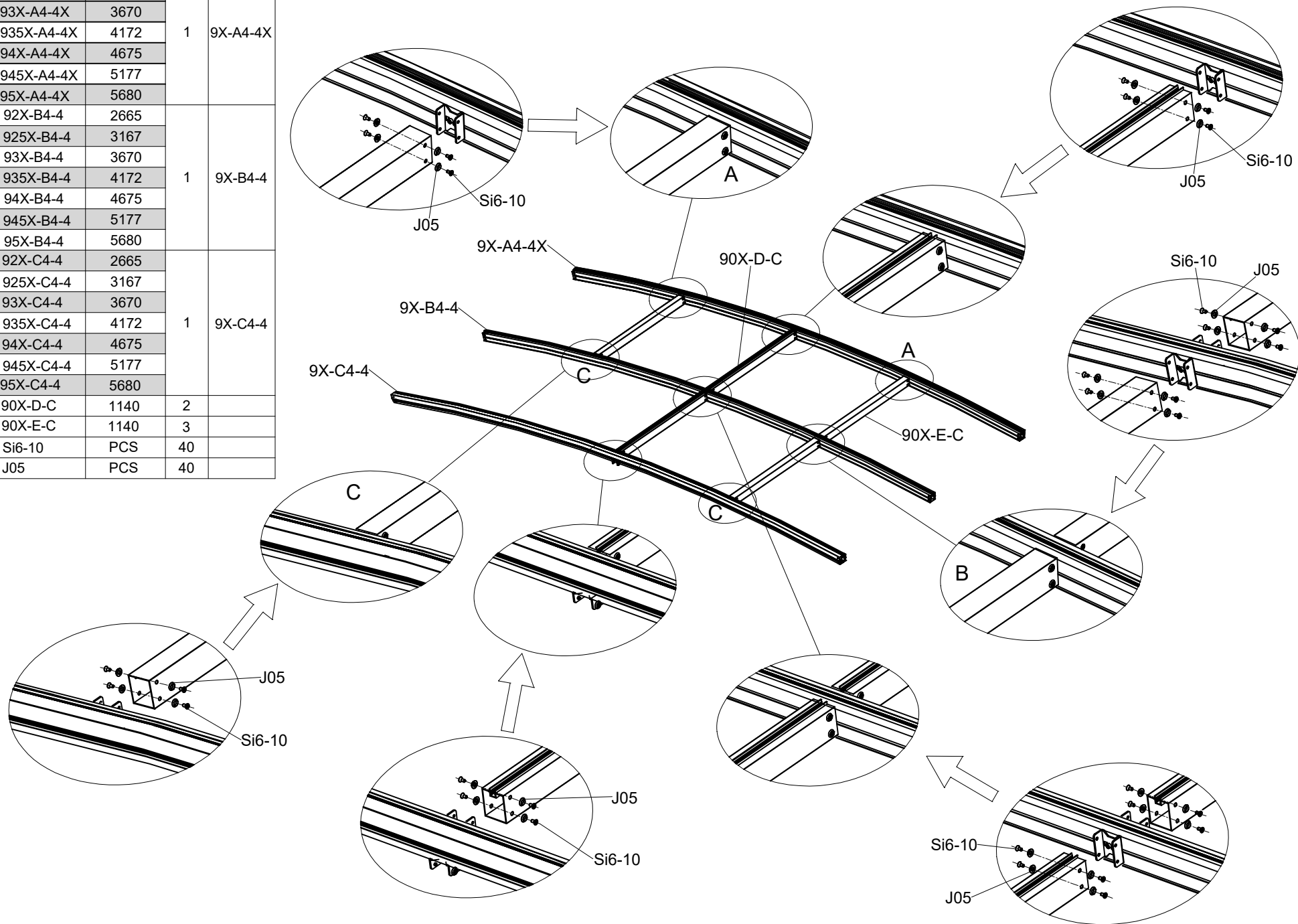
Part	NO.	Length(mm)	QTY.
	90X-I	2400	4
	90X-I-3	349	4
	90X-J-3	349	2
	7B35-012	PCS	2
	ST4.2-13	PCS	8



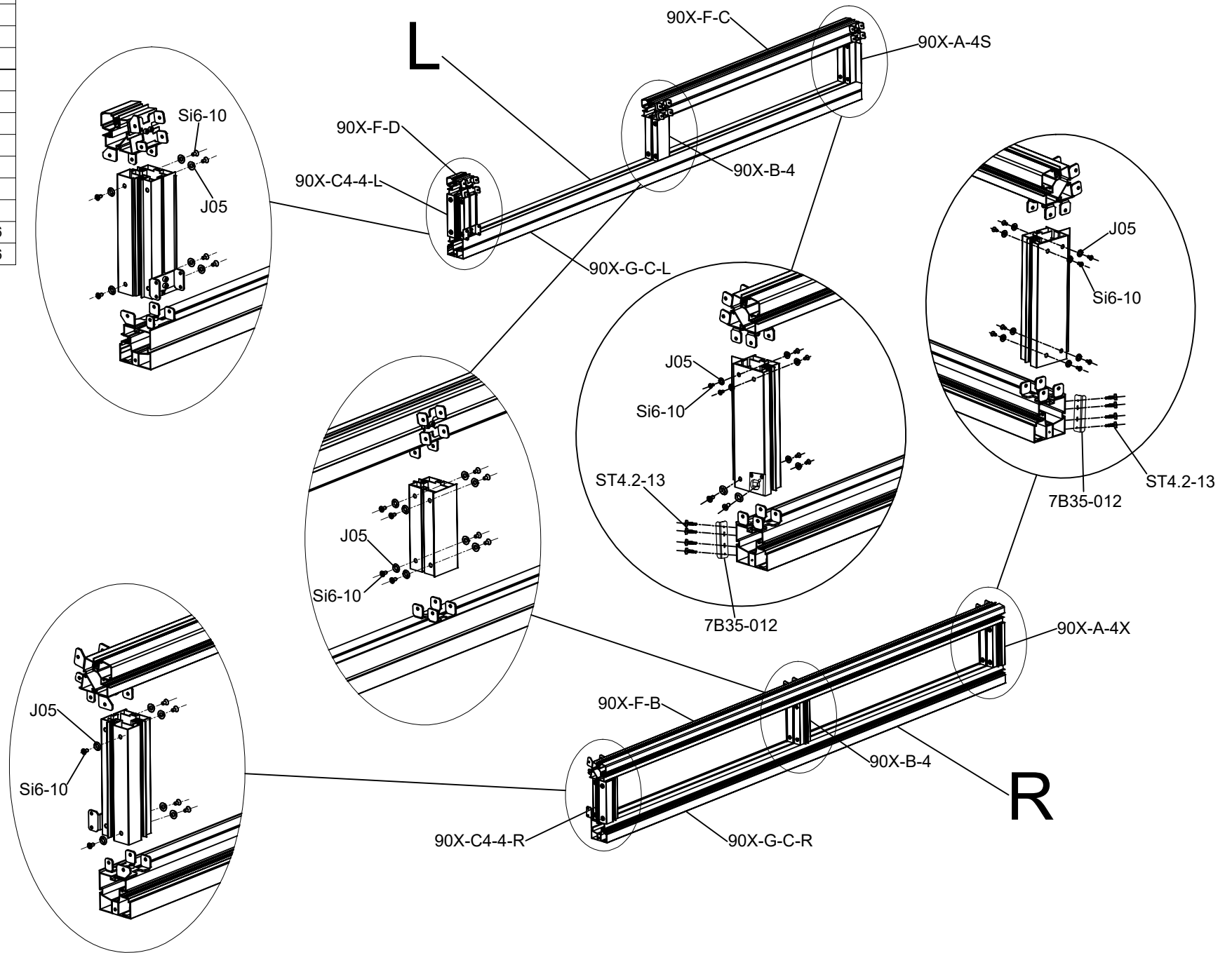
Part	NO.	Length(mm)	QTY.
	7C35-002	PCS	4
	7C35-001L	PCS	2
	7C35-001R	PCS	2







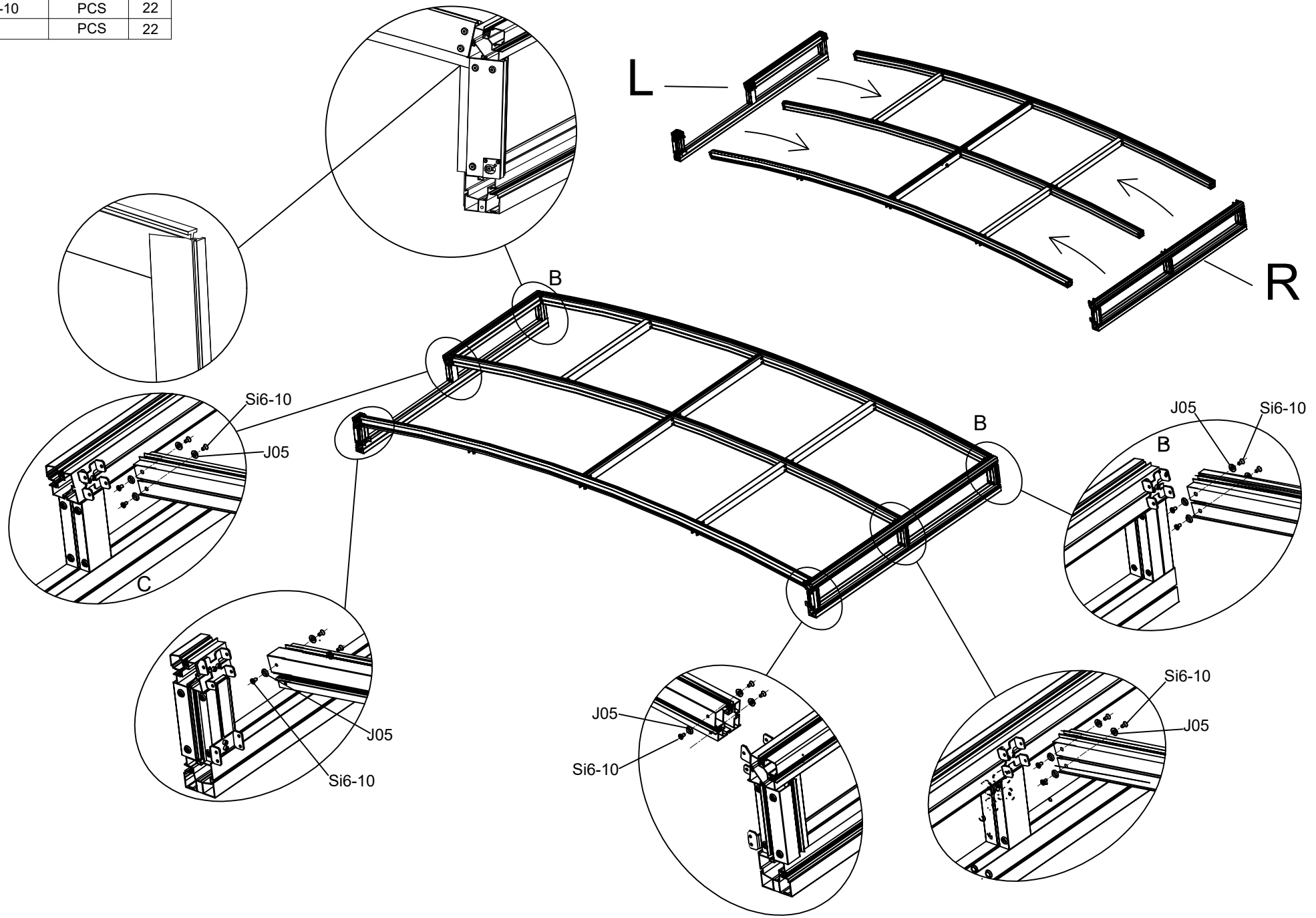
Part	product	NO.	Length(mm)	QTY.	code
	SH9002F	92X-A4-4X	2665	1	9X-A4-4X
	SH9002F5	925X-A4-4X	3167		
	SH9003F	93X-A4-4X	3670		
	SH9003F5	935X-A4-4X	4172		
	SH9004F	94X-A4-4X	4675		
	SH9004F5	945X-A4-4X	5177		
	SH9005F	95X-A4-4X	5680		
	SH9002F	92X-B4-4	2665	1	9X-B4-4
	SH9002F5	925X-B4-4	3167		
	SH9003F	93X-B4-4	3670		
	SH9003F5	935X-B4-4	4172		
	SH9004F	94X-B4-4	4675		
	SH9004F5	945X-B4-4	5177		
	SH9005F	95X-B4-4	5680		
	SH9002F	92X-C4-4	2665	1	9X-C4-4
	SH9002F5	925X-C4-4	3167		
	SH9003F	93X-C4-4	3670		
	SH9003F5	935X-C4-4	4172		
	SH9004F	94X-C4-4	4675		
	SH9004F5	945X-C4-4	5177		
	SH9005F	95X-C4-4	5680		
		90X-D-C	1140	2	
		90X-E-C	1140	3	
		Si6-10	PCS	40	
		J05	PCS	40	



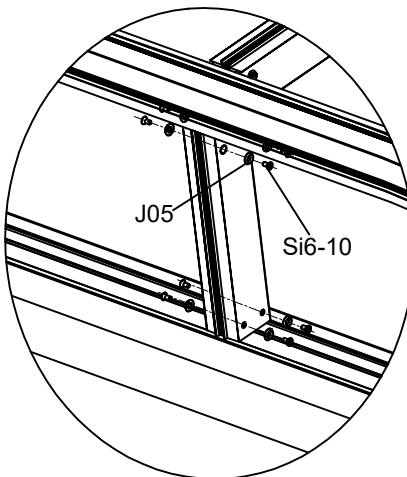
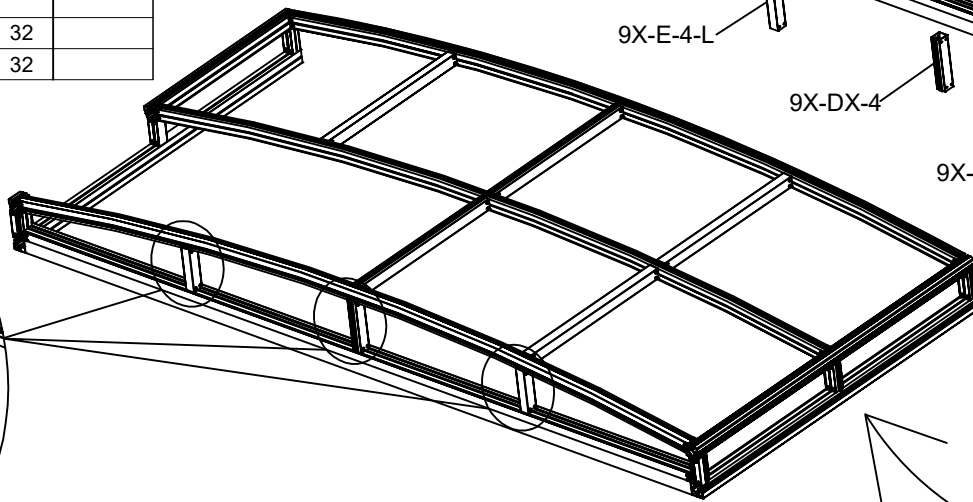
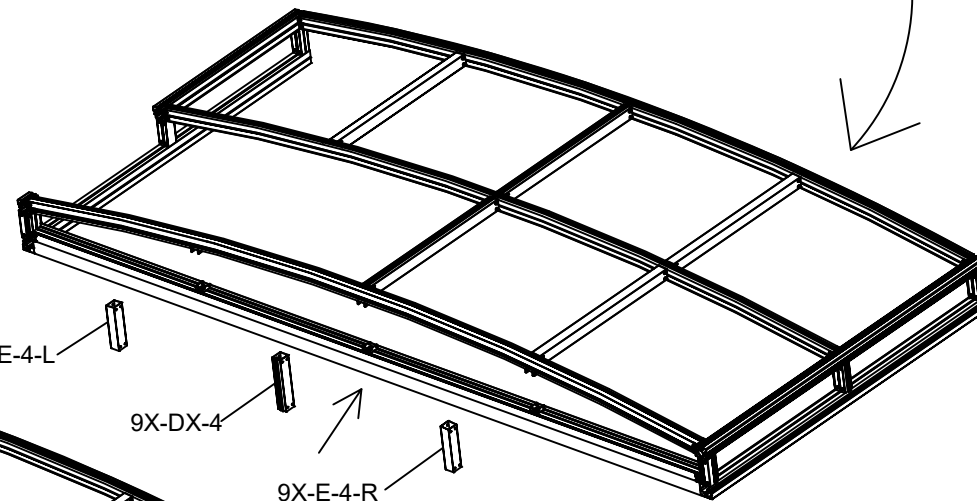
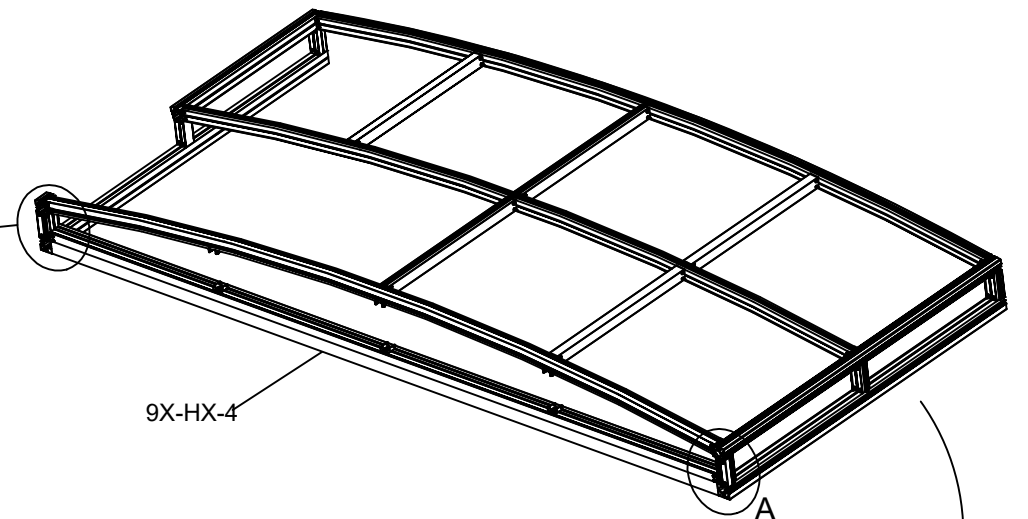
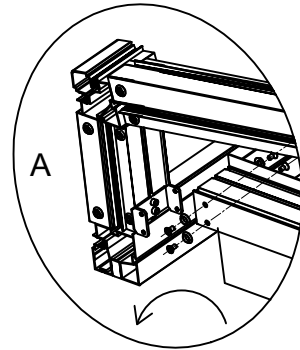
Part	NO.	Length(mm)	QTY.
	90X-A-4X	432	1
	90X-A-4S	432	1
	90X-B-4	432	2
	90X-C4-4-L	432	1
	90X-C4-4-R	432	1
	90X-F-B	2480	1
	90X-F-C	1260	1
	90X-F-D	80	1
	90X-G-C-L	2480	1
	90X-G-C-R	2480	1
	7B35-012	PCS	2
	ST4.2-13	PCS	8
	Si6-10	PCS	46
	J05	PCS	46




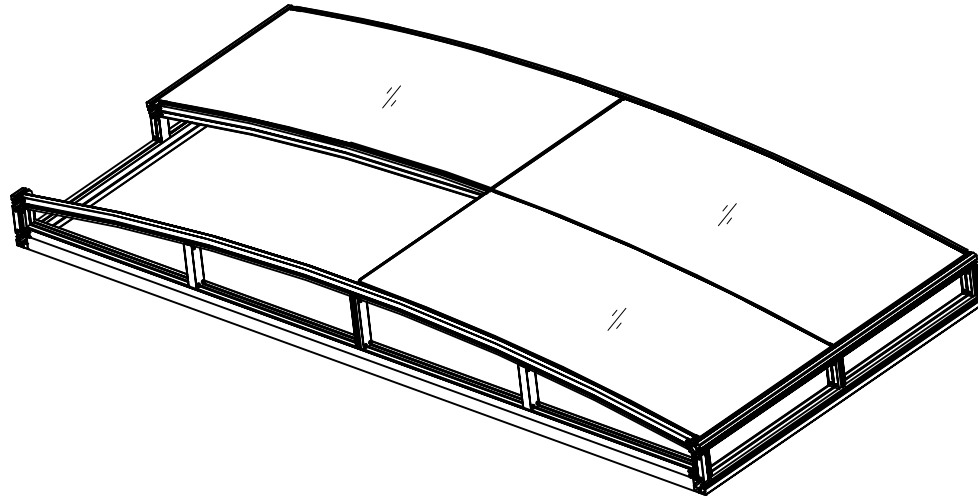
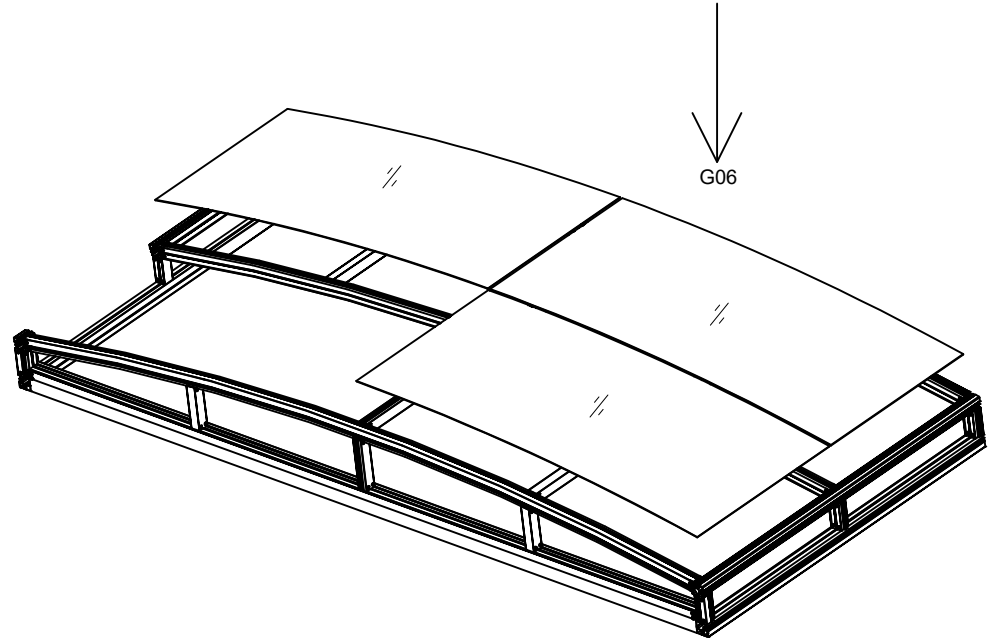
Part	NO.	Length(mm)	QTY.
	Page29	PCS	1
	Page30	PCS	1
	Si6-10	PCS	22
	J05	PCS	22



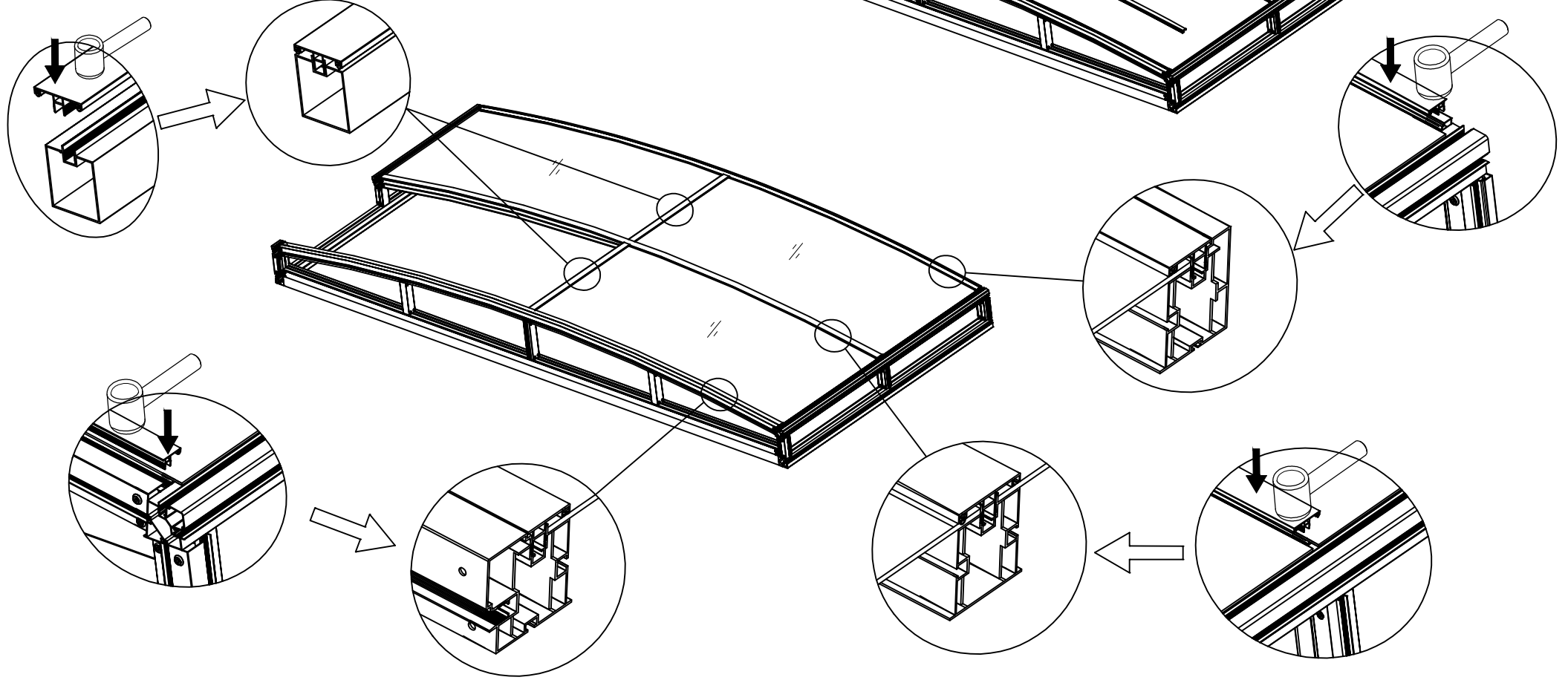
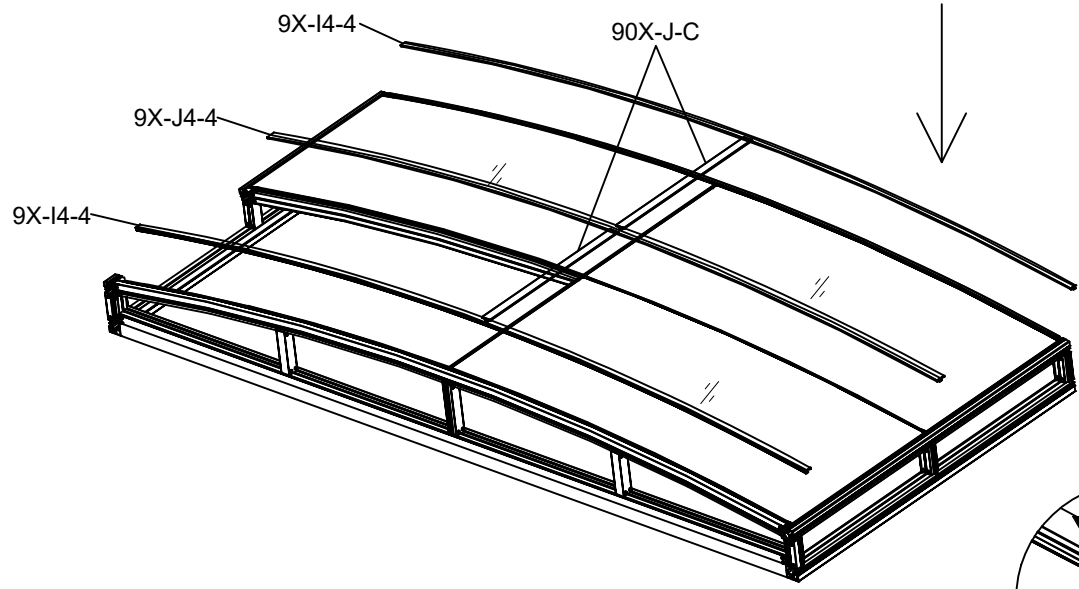
Part	product	NO.	Length(mm)	QTY.	code
☐	SH9002F	90X-H2-4	2622	1	9X-HX-4
	SH9002F5	90X-H25-4	3122		
	SH9003F	90X-H3-4	3622		
	SH9003F5	90X-H35-4	4122		
	SH9004F	90X-H4-4	4622		
	SH9004F5	9X-H45-4	5122		
	SH9005F	90X-H5-4	5622		
☐	SH9002F	92X-DX-4	510	1	9X-DX-4
	SH9002F5	925X-DX-4	531		
	SH9003F	93X-DX-4	552		
	SH9003F5	935X-DX-4	574		
	SH9004F	94X-DX-4	596		
	SH9004F5	945X-DX-4	617		
	SH9005F	95X-DX-4	639		
☐	SH9002F	92X-E-4-L	478	1	9X-E-4-L
	SH9002F5	925X-E-4-L	494		
	SH9003F	93X-E-4-L	510		
	SH9003F5	935X-E-4-L	526		
	SH9004F	94X-E-4-L	542		
	SH9004F5	945X-E-4-L	558		
	SH9005F	95X-E-4-L	575		
☐	SH9002F	92X-E-4-R	478	1	9X-E-4-R
	SH9002F5	925X-E-4-R	494		
	SH9003F	93X-E-4-R	510		
	SH9003F5	935X-E-4-R	526		
	SH9004F	94X-E-4-R	542		
	SH9004F5	945X-E-4-R	558		
	SH9005F	95X-E-4-R	575		
⊙		Si6-10	PCS	32	
⊙		J05	PCS	32	



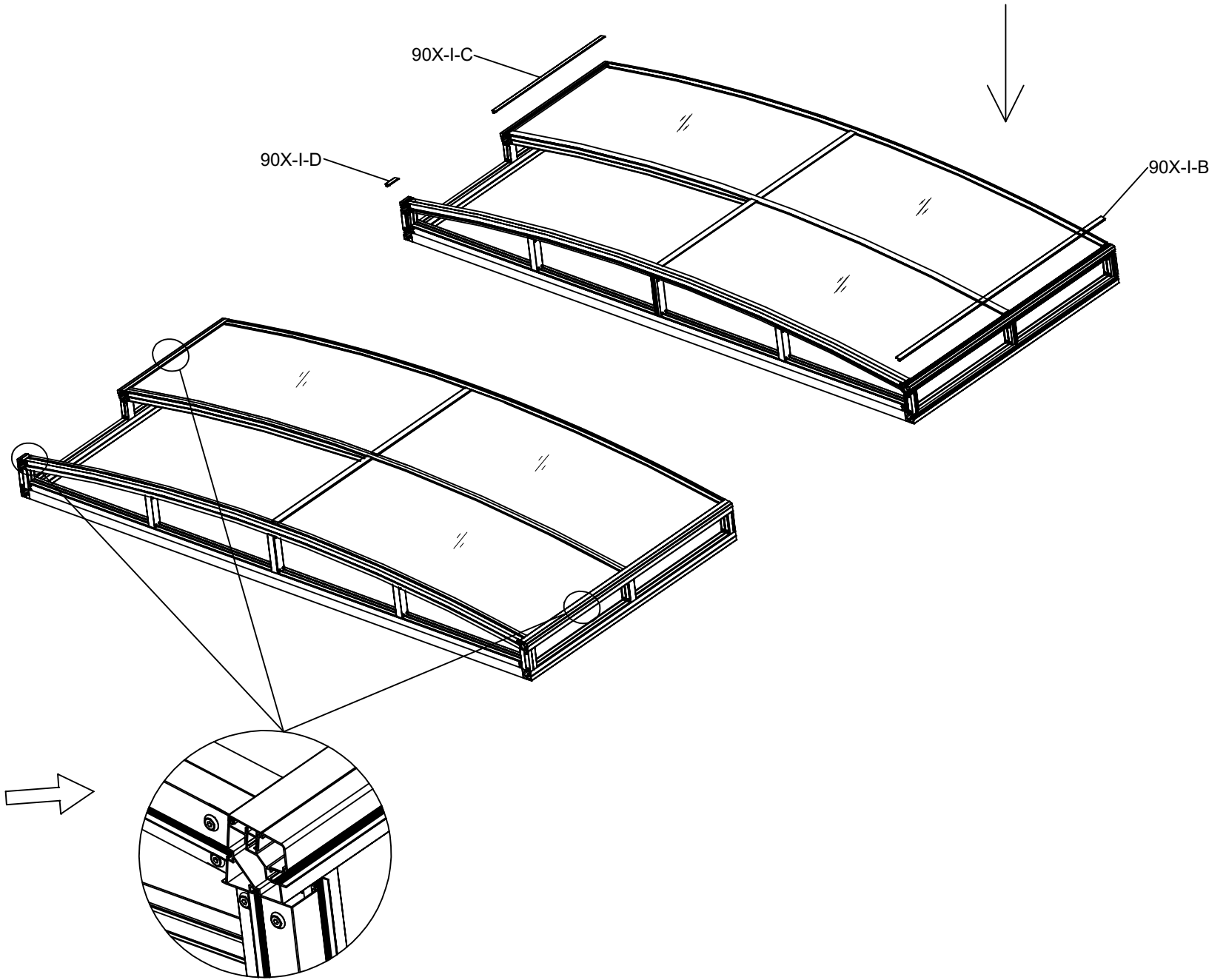
Part	product	NO.	QTY.	code
	SH9002F	1181×1344	3	G06
	SH9002F5	1181×1595		
	SH9003F	1181×1846		
	SH9003F5	1181×2097		
	SH9004F	1181×2348		
	SH9004F5	1181×2600		
	SH9005F	1181×2851		


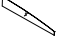


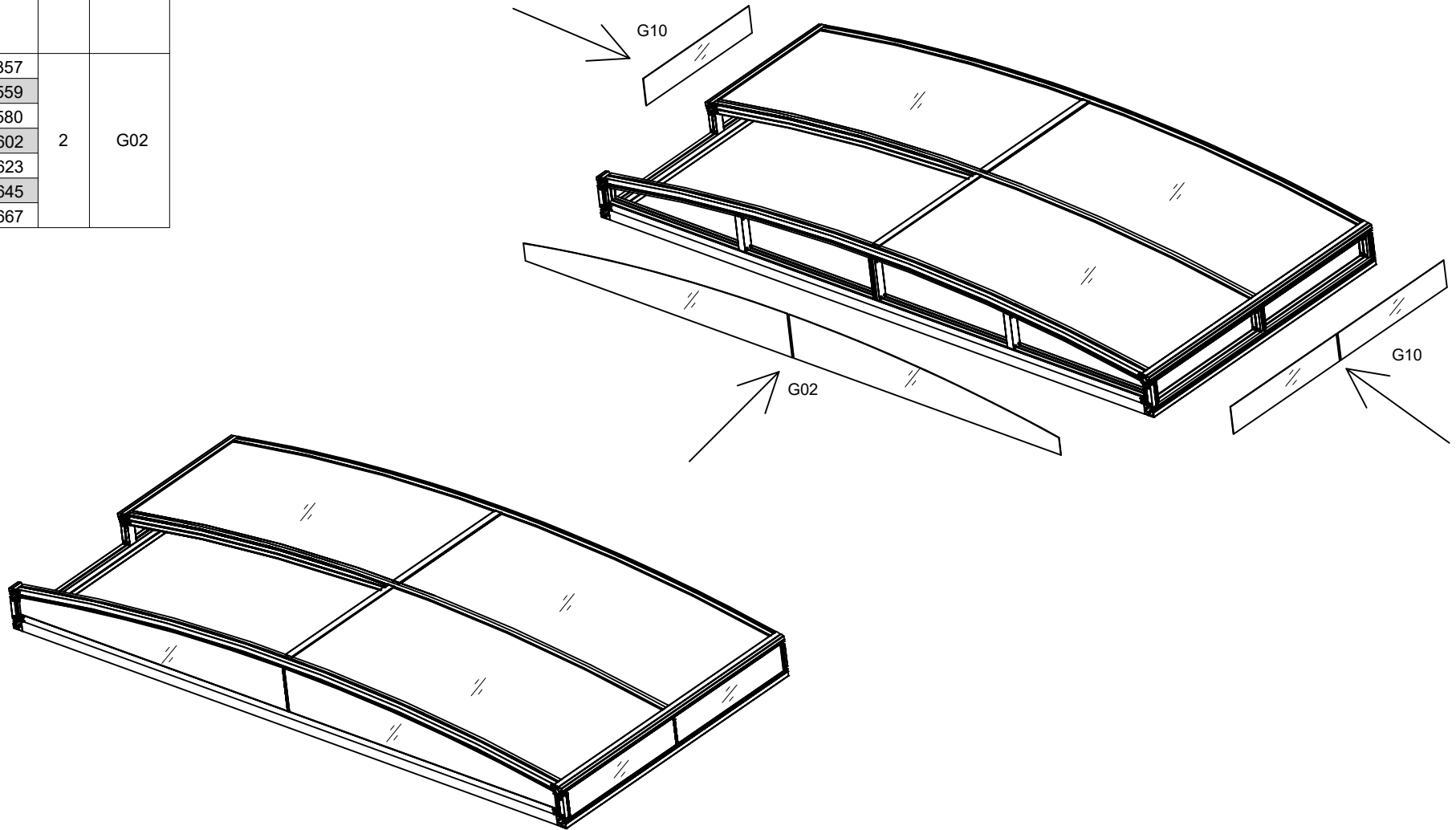
Part	product	NO.	Length(mm)	QTY.	code
"H"	SH9002F	92X-I4-4	2665	2	9X-I4-4
	SH9002F5	925X-I4-4	3167		
	SH9003F	93X-I4-4	3670		
	SH9003F5	935X-I4-4	4172		
	SH9004F	94X-I4-4	4675		
	SH9004F5	945X-I4-4	5177		
	SH9005F	95X-I4-4	5680		
"H"	SH9002F	92X-J4-4	2665	1	9X-J4-4
	SH9002F5	925X-J4-4	3167		
	SH9003F	93X-J4-4	3670		
	SH9003F5	935X-J4-4	4172		
	SH9004F	94X-J4-4	4675		
	SH9004F5	945X-J4-4	5177		
	SH9005F	95X-J4-4	5680		
"H"		90X-J-C	1140	2	



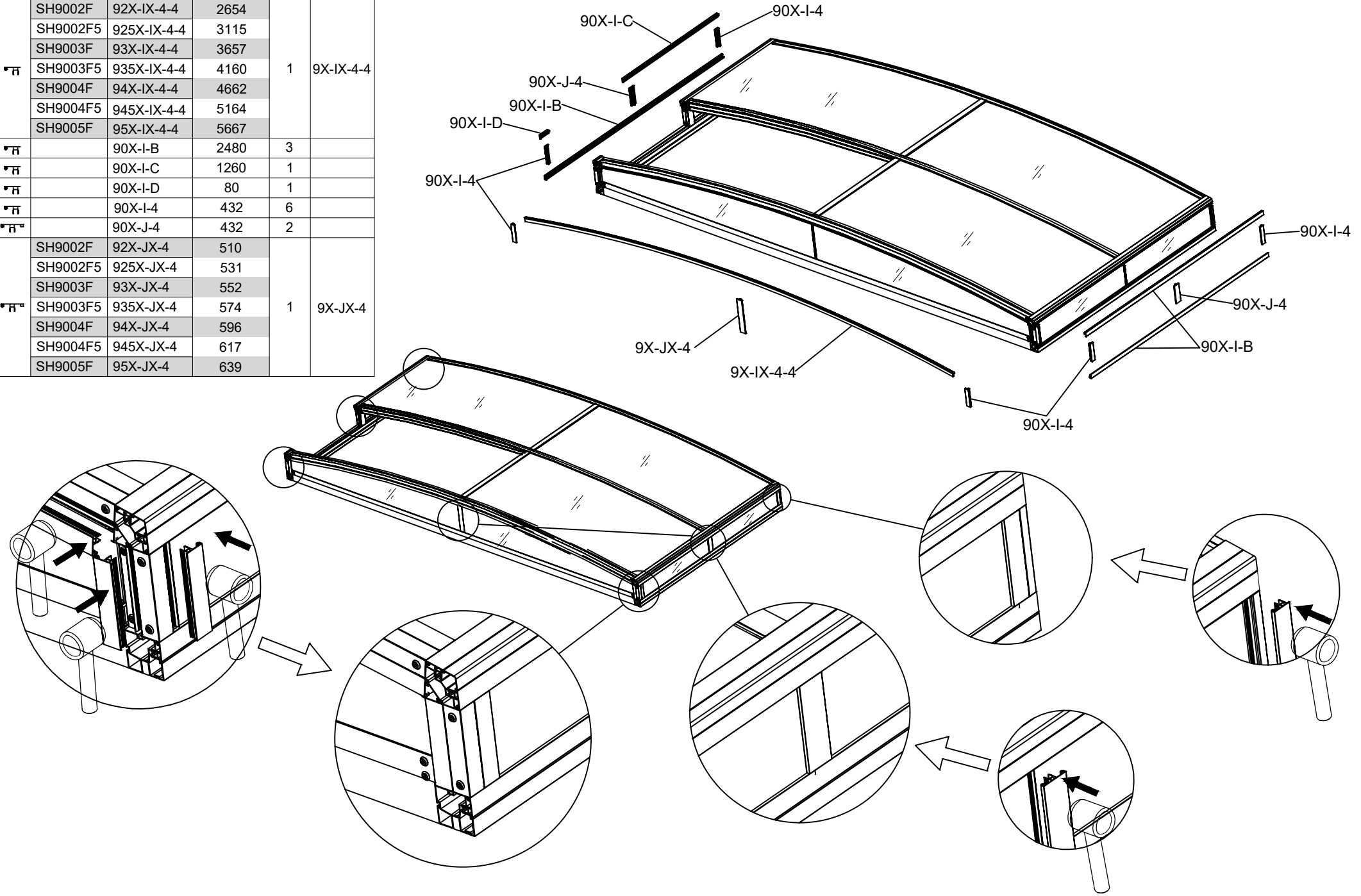
Part	NO.	Length(mm)	QTY.
▼	90X-I-B	2480	1
▼	90X-I-C	1260	1
▼	90X-I-D	80	1








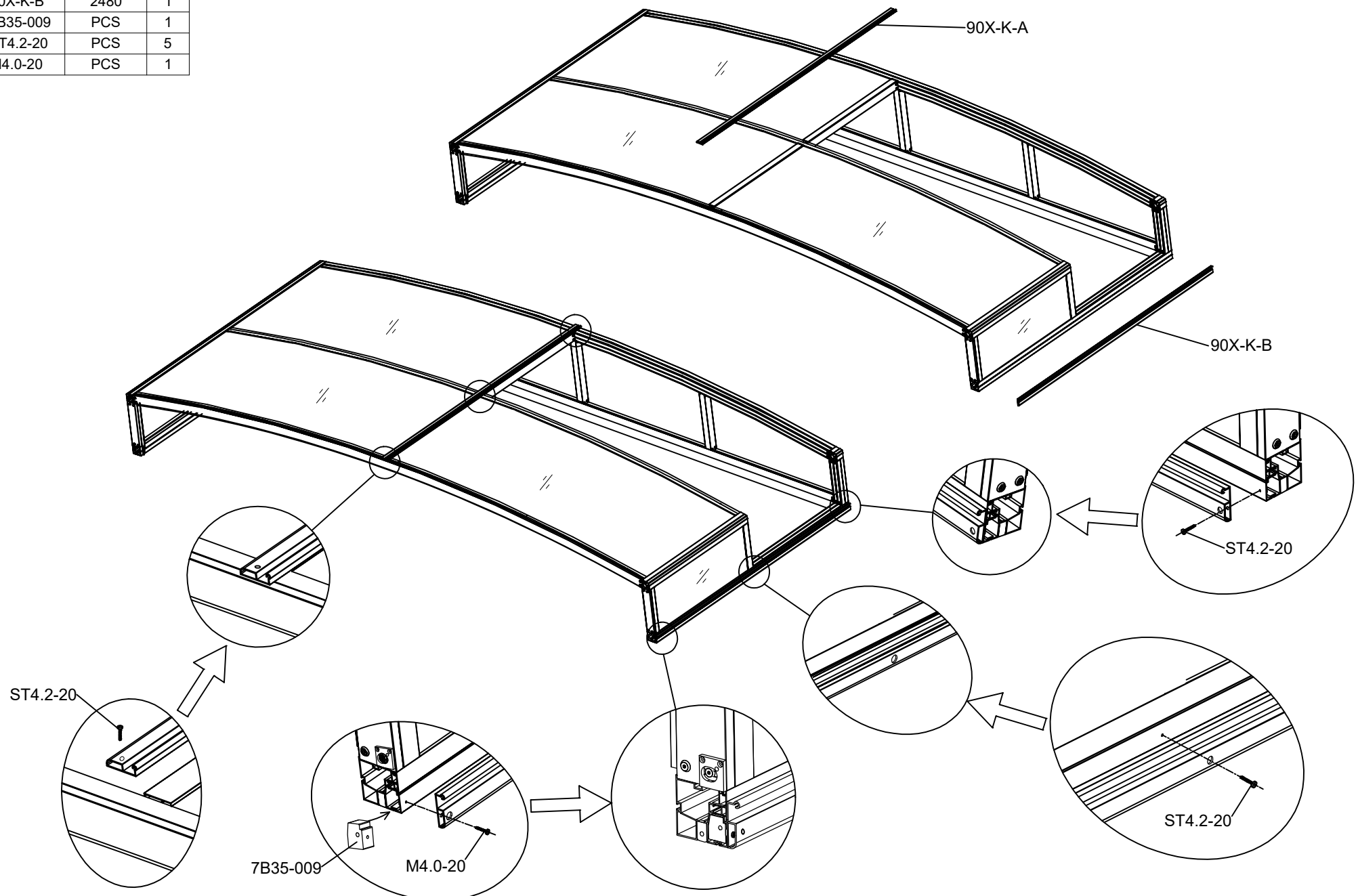
Part	product	NO.	QTY.	code
	SH9002F	1181×473	3	G10
	SH9002F5			
	SH9003F			
	SH9003F5			
	SH9004F			
	SH9004F5			
	SH9005F			
	SH9002F	1319×357	2	G02
	SH9002F5	1569×559		
	SH9003F	1819×580		
	SH9003F5	2069×602		
	SH9004F	2319×623		
	SH9004F5	2569×645		
	SH9005F	2828×667		

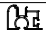
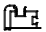
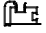
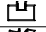





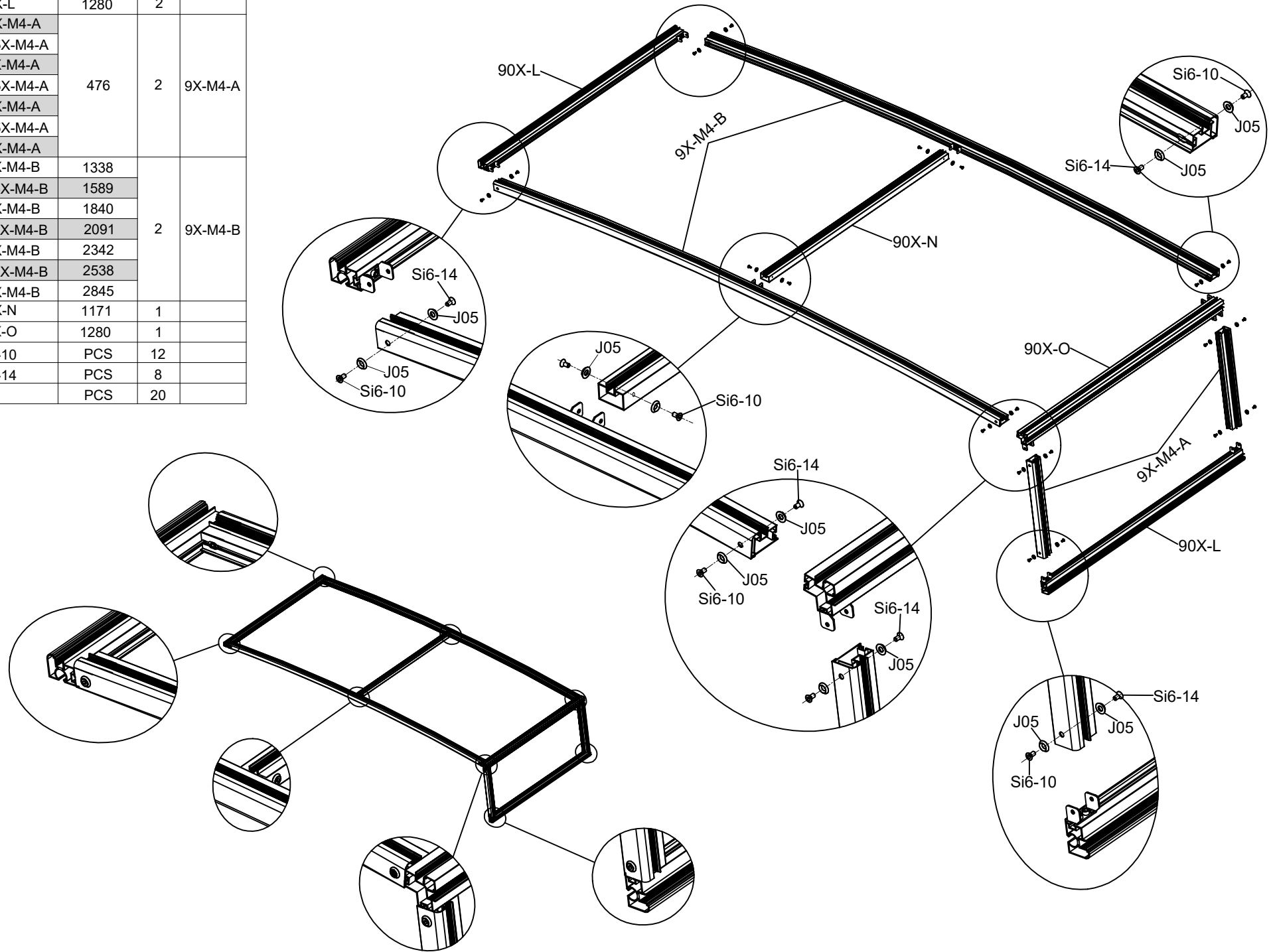
Part	product	NO.	Length(mm)	QTY.	code
H	SH9002F	92X-IX-4-4	2654	1	9X-IX-4-4
	SH9002F5	925X-IX-4-4	3115		
	SH9003F	93X-IX-4-4	3657		
	SH9003F5	935X-IX-4-4	4160		
	SH9004F	94X-IX-4-4	4662		
	SH9004F5	945X-IX-4-4	5164		
	SH9005F	95X-IX-4-4	5667		
H		90X-I-B	2480	3	
H		90X-I-C	1260	1	
H		90X-I-D	80	1	
H		90X-I-4	432	6	
H		90X-J-4	432	2	
H	SH9002F	92X-JX-4	510	1	9X-JX-4
	SH9002F5	925X-JX-4	531		
	SH9003F	93X-JX-4	552		
	SH9003F5	935X-JX-4	574		
	SH9004F	94X-JX-4	596		
	SH9004F5	945X-JX-4	617		
	SH9005F	95X-JX-4	639		



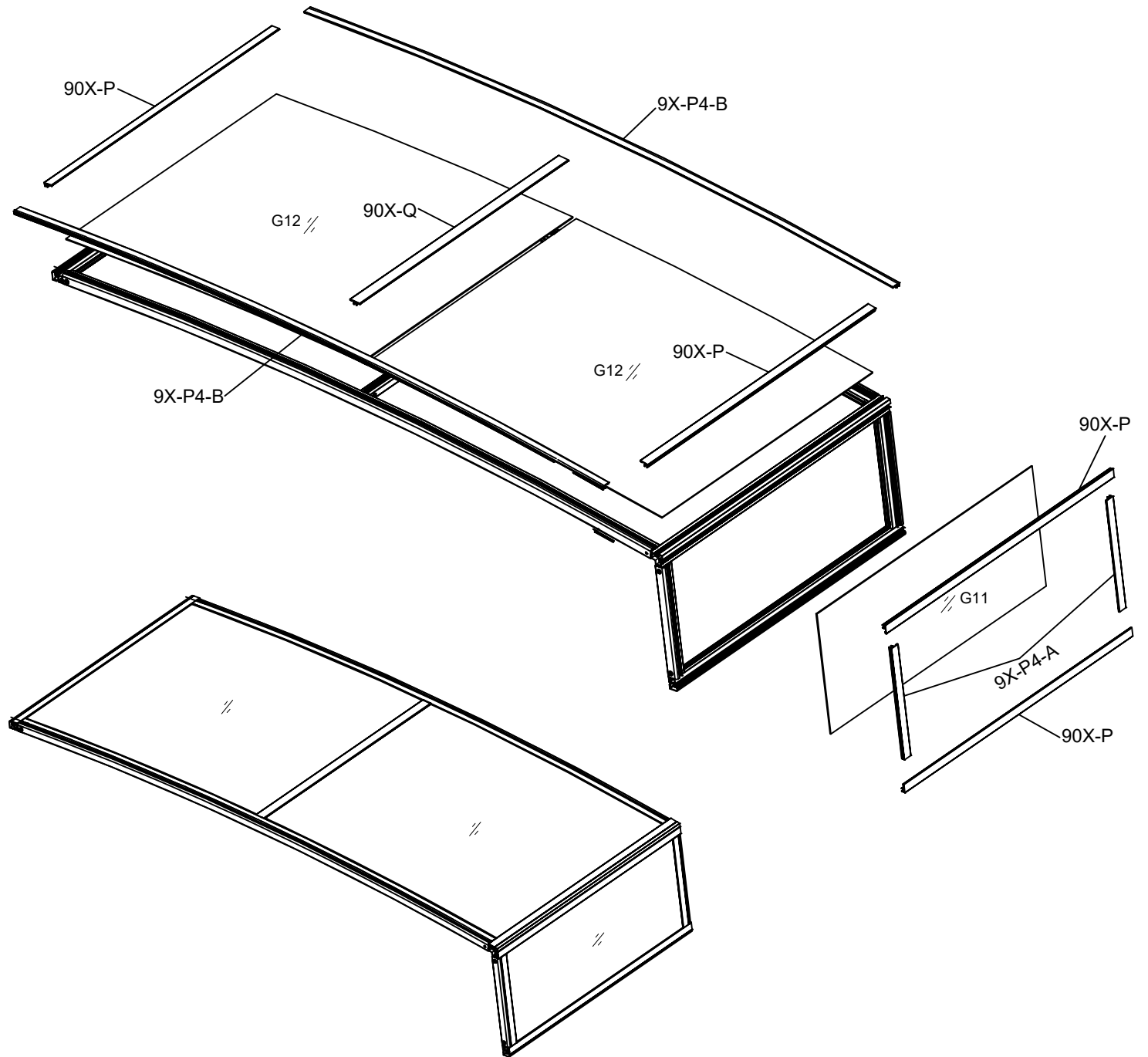
Part	NO.	Length(mm)	QTY.
	90X-K-A	2480	1
	90X-K-B	2480	1
	7B35-009	PCS	1
	ST4.2-20	PCS	5
	M4.0-20	PCS	1






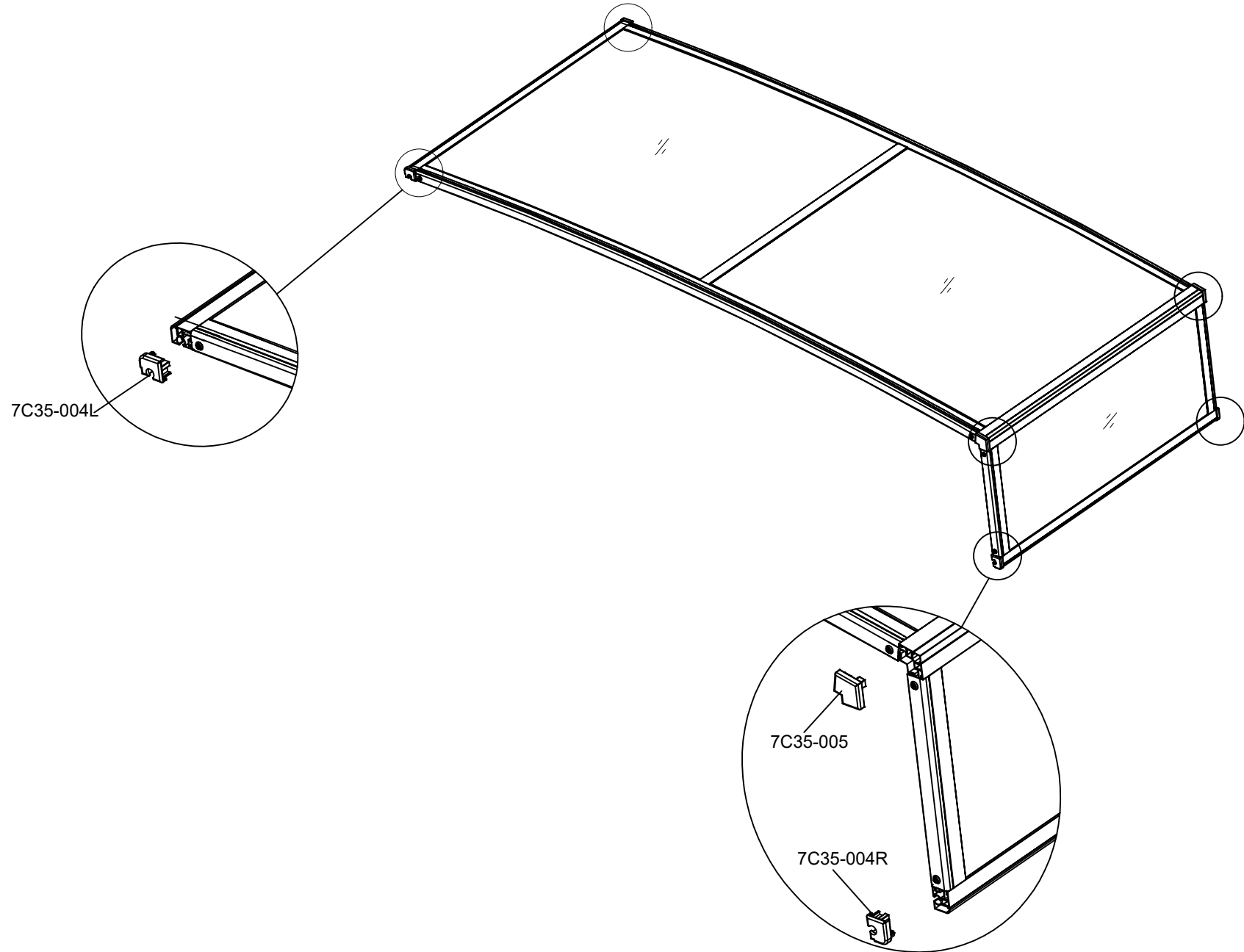
Part	product	NO.	Length(mm)	QTY.	code
		90X-L	1280	2	
	SH9002F	92X-M4-A	476	2	9X-M4-A
	SH9002F5	925X-M4-A			
	SH9003F	93X-M4-A			
	SH9003F5	935X-M4-A			
	SH9004F	94X-M4-A			
	SH9004F5	945X-M4-A			
	SH9005F	95X-M4-A	2845	2	9X-M4-B
	SH9002F	92X-M4-B			
	SH9002F5	925X-M4-B			
	SH9003F	93X-M4-B			
	SH9003F5	935X-M4-B			
	SH9004F	94X-M4-B			
		90X-N	1171	1	
		90X-O	1280	1	
		Si6-10	PCS	12	
		Si6-14	PCS	8	
		J05	PCS	20	







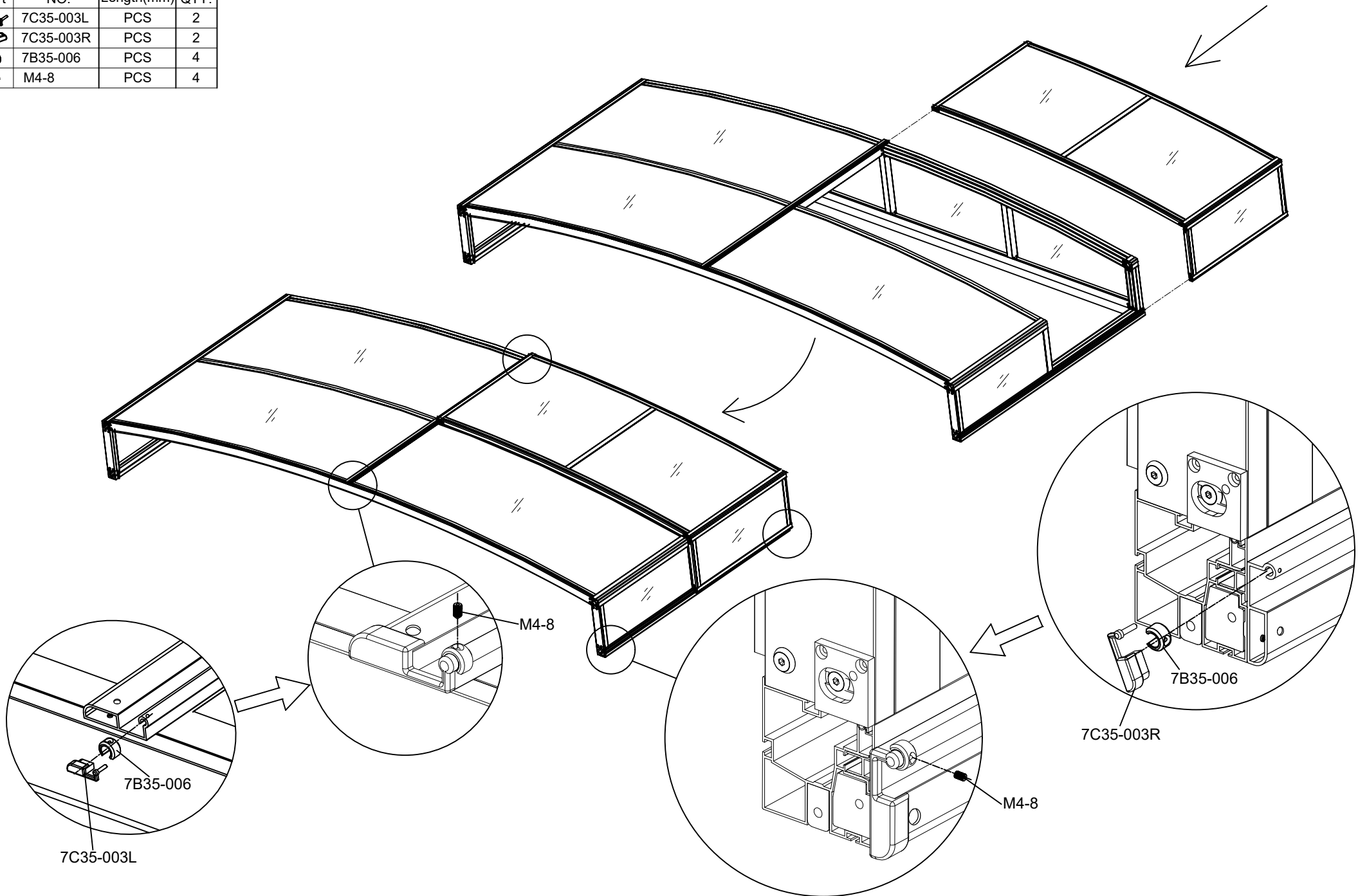
Part	product	NO.	Length(mm)	QTY.	code
▼TT	SH9002F	92X-P4-A	476	2	9X-P4-A
	SH9002F5	925XP4-A			
	SH9003F	93X-P4-A			
	SH9003F5	935X-P4-A			
	SH9004F	94X-P4-A			
	SH9004F5	945X-P4-A			
	SH9005F	95X-P4-A			
▼TT	SH9002F	92X-P4-B	1338	2	9X-P4-B
	SH9002F5	925X-P4-B	1589		
	SH9003F	93X-P4-B	1840		
	SH9003F5	935X-P4-B	2091		
	SH9004F	94X-P4-B	2342		
	SH9004F5	945X-P4-B	2538		
	SH9005F	95X-P4-B	2845		
☐	SH9002F	1208×510		1	G11
	SH9002F5				
	SH9003F				
	SH9003F5				
	SH9004F				
	SH9004F5				
	SH9005F				
☐	SH9002F	1208×678		2	G12
	SH9002F5	1208×803			
	SH9003F	1208×928			
	SH9003F5	1208×1054			
	SH9004F	1208×1179			
	SH9004F5	1208×1278			
	SH9005F	1208×1431			
▼TT		90X-P	1280	4	
▼TT		90X-Q	1171	1	










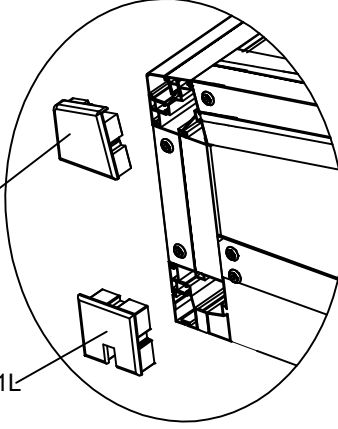
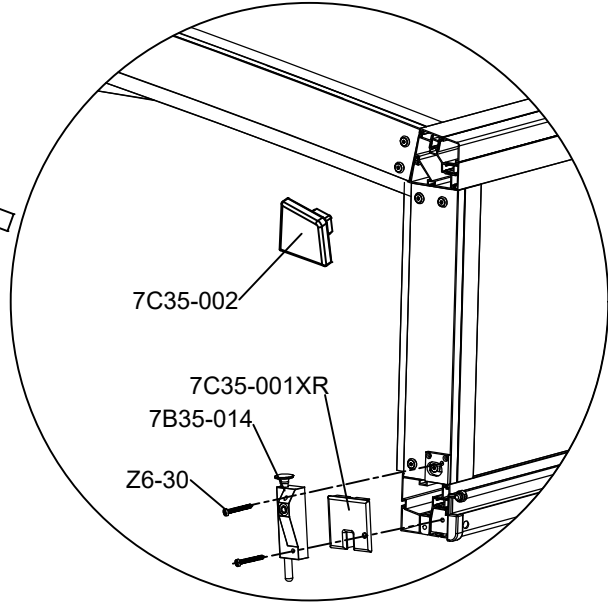
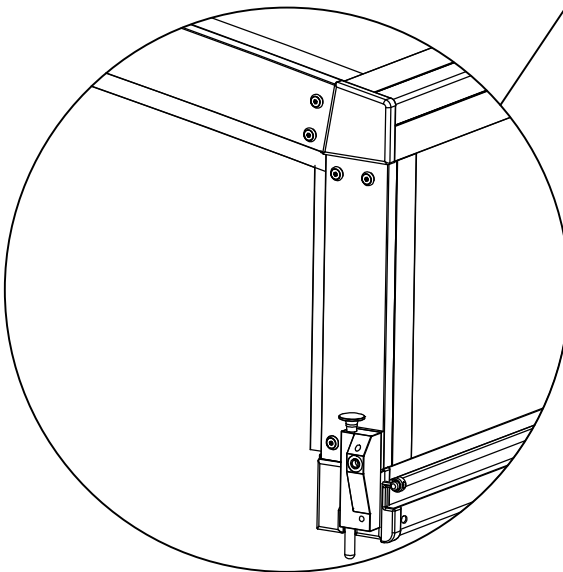
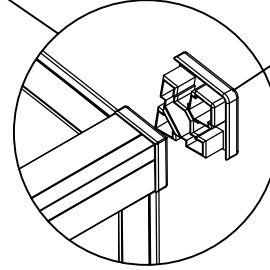
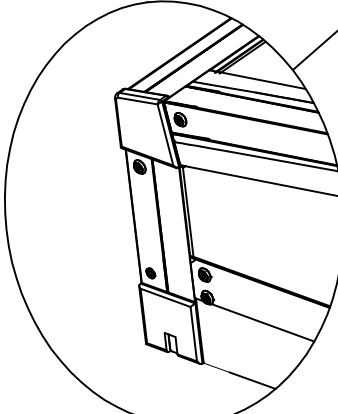
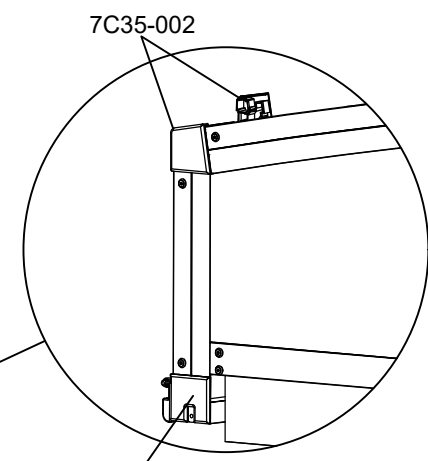
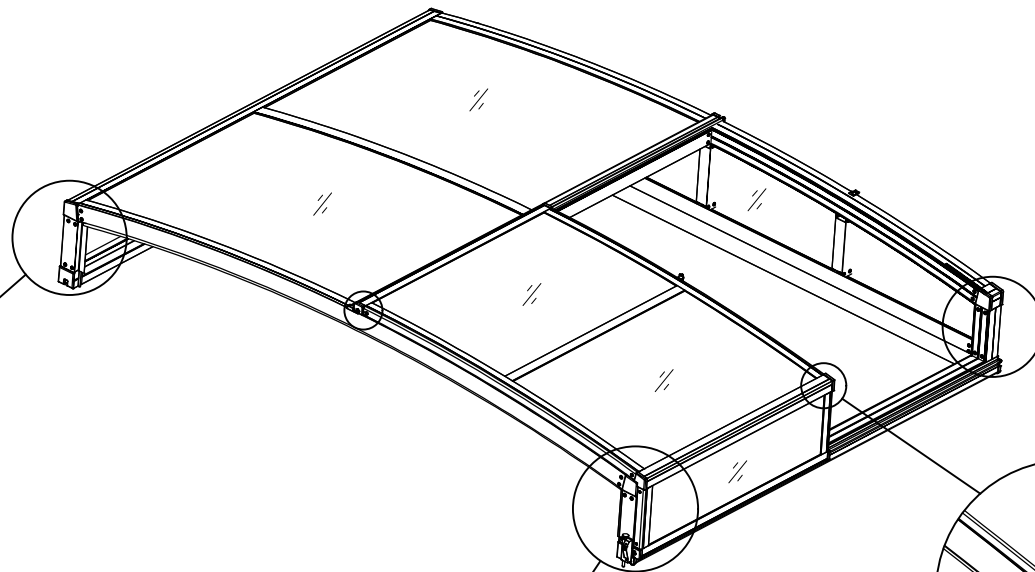
Part	NO.	Length(mm)	QTY.
	7C35-004L	PCS	2
	7C35-004R	PCS	2
	7C35-005	PCS	2






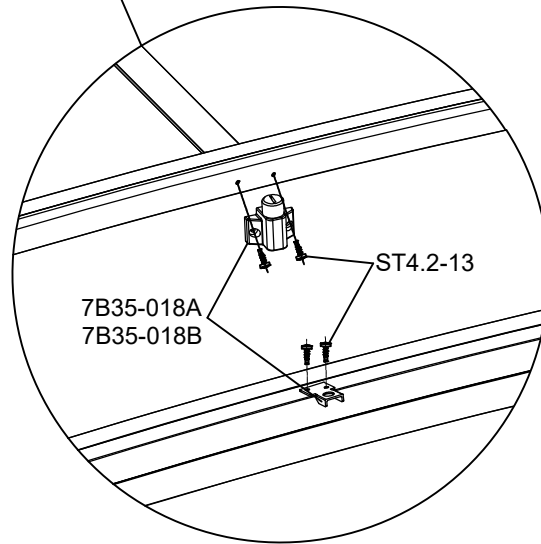
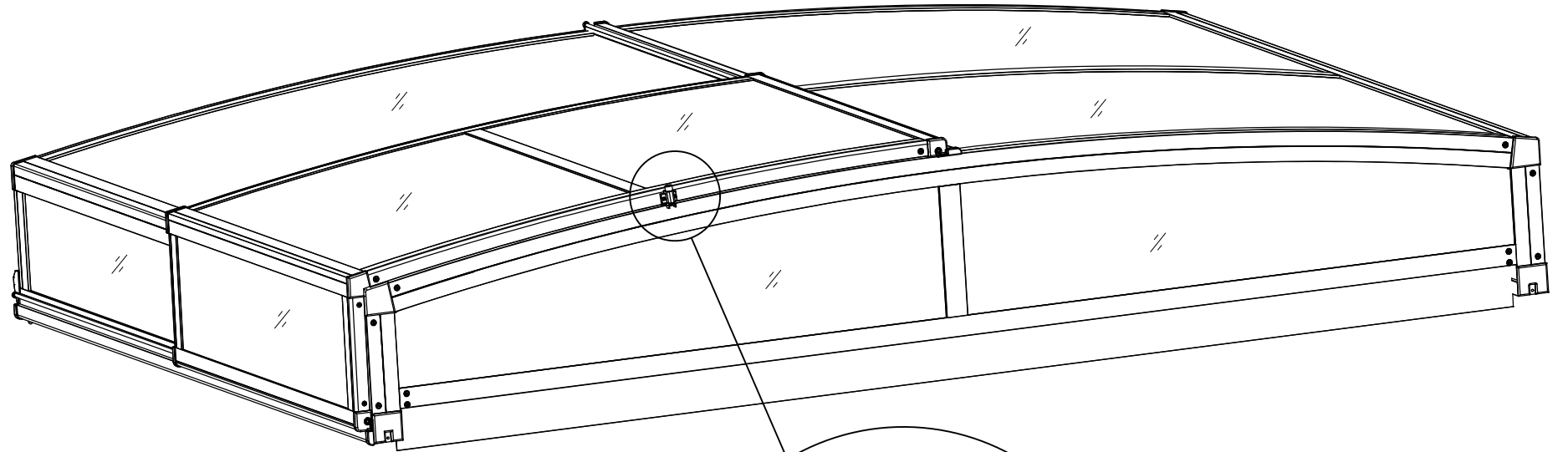
Part	NO.	Length(mm)	QTY.
	7C35-003L	PCS	2
	7C35-003R	PCS	2
	7B35-006	PCS	4
	M4-8	PCS	4

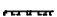
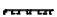

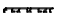
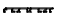
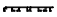
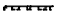




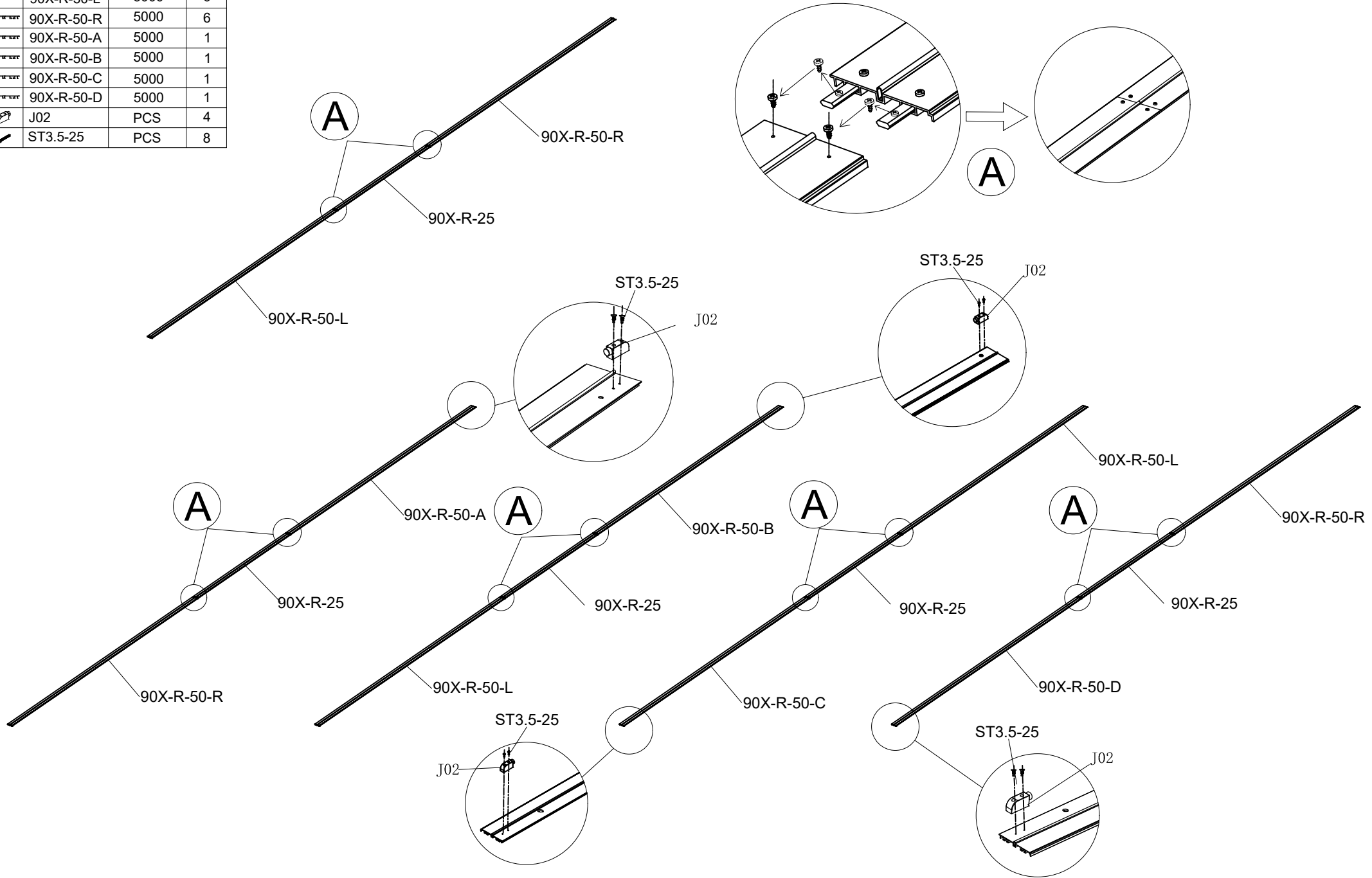
Part	NO.	Length(mm)	QTY.
	7C35-001L	PCS	1
	7C35-001R	PCS	1
	7C35-001XL	PCS	1
	7C35-001XR	PCS	1
	7C35-002	PCS	6
	7B35-014	PCS	1
	Z6-30	PCS	2






Part	NO.	Length(mm)	QTY.
	7B35-018A	PCS	1
	7B35-018B	PCS	1
	ST4.2-13	PCS	4

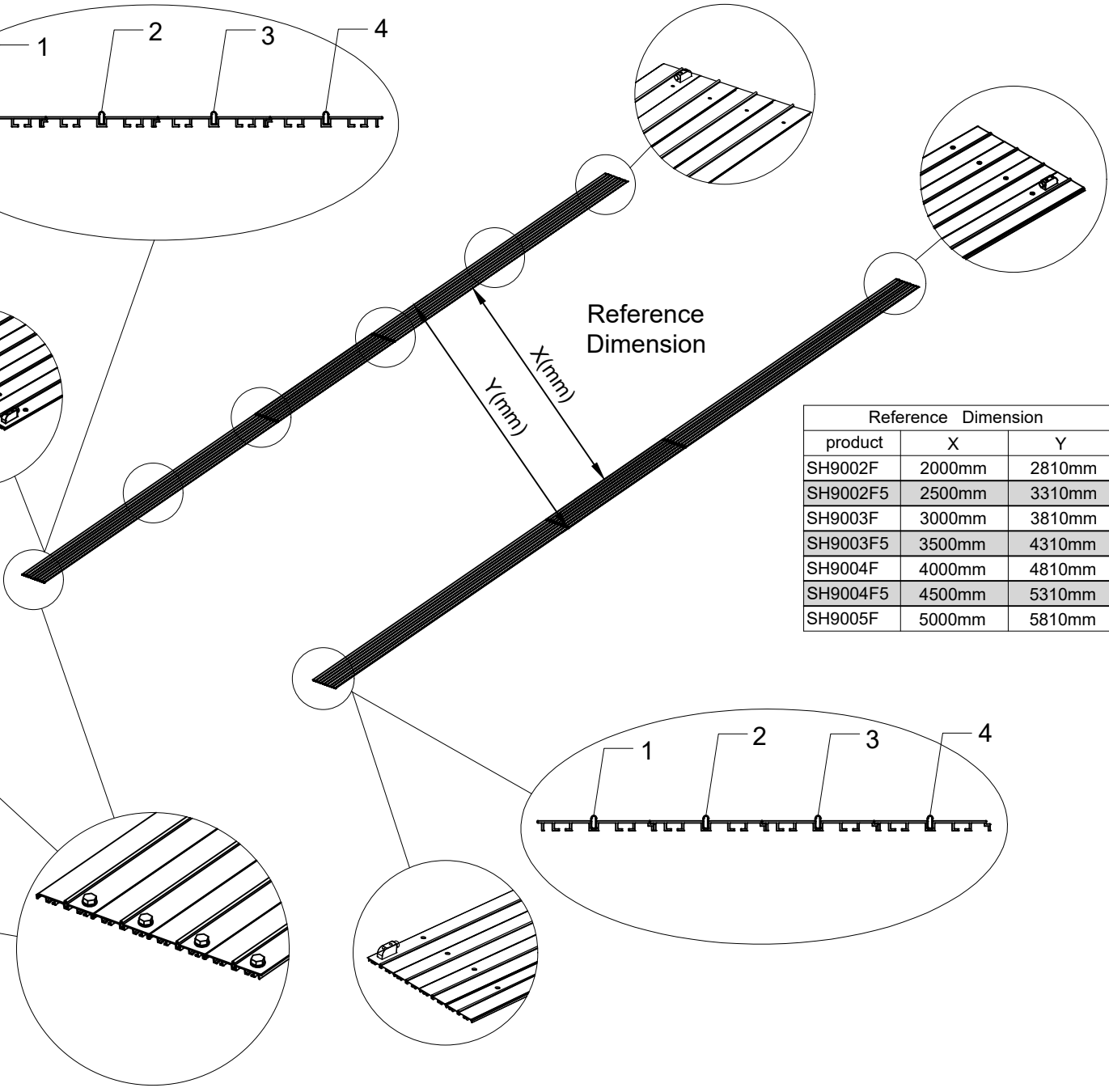
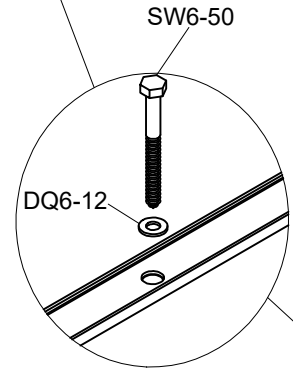
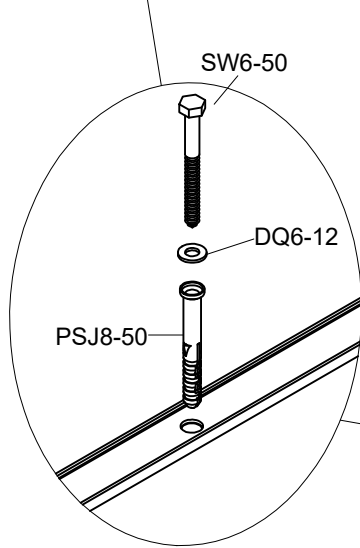
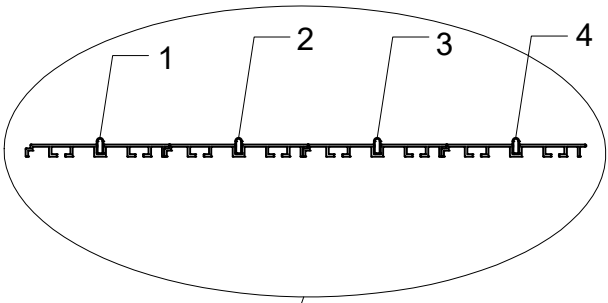
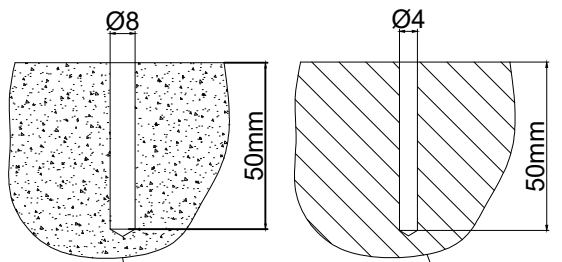


Part	NO.	Length(mm)	QTY.
	90X-R-25	2500	8
	90X-R-50-L	5000	6
	90X-R-50-R	5000	6
	90X-R-50-A	5000	1
	90X-R-50-B	5000	1
	90X-R-50-C	5000	1
	90X-R-50-D	5000	1
	J02	PCS	4
	ST3.5-25	PCS	8

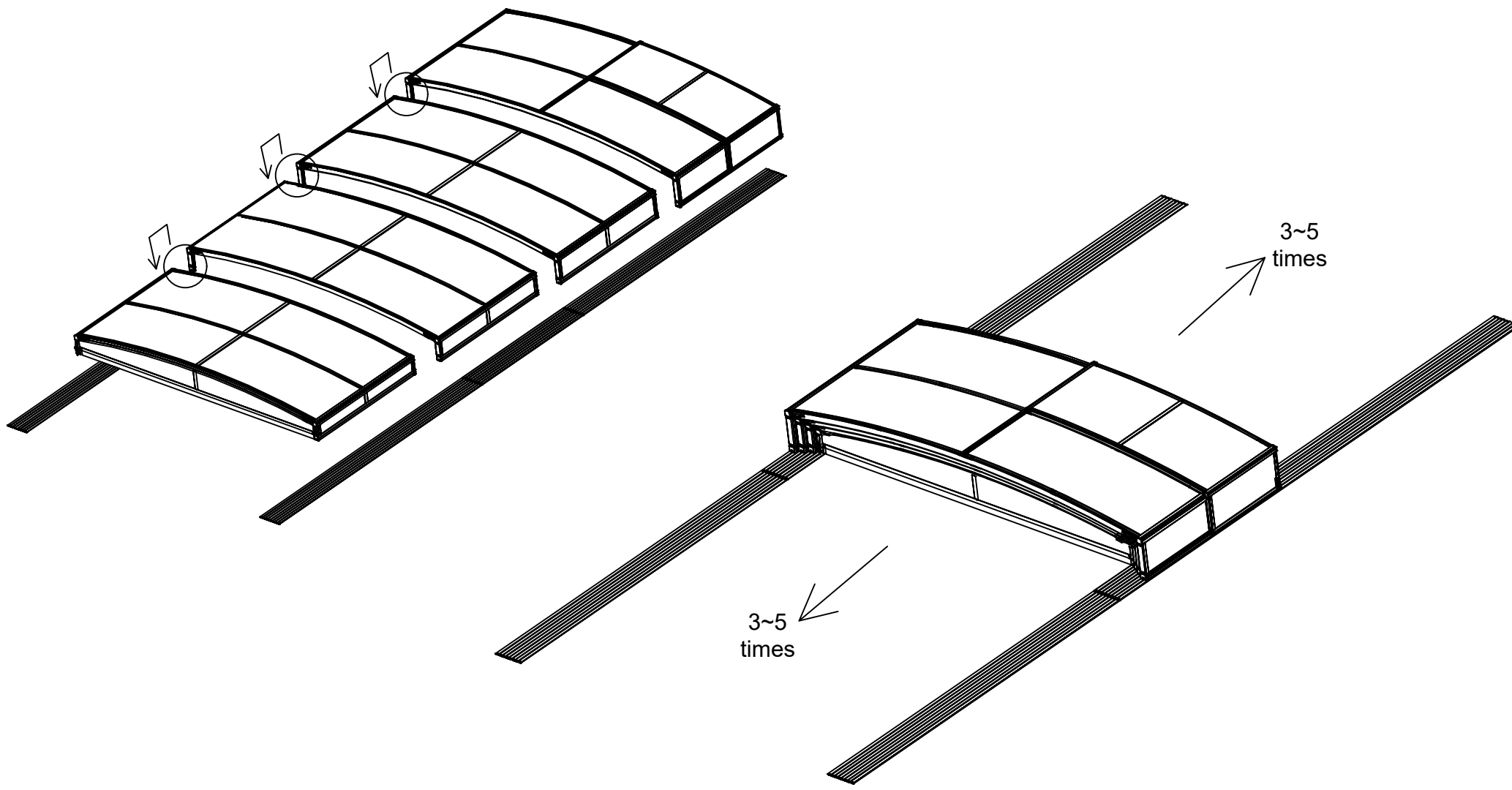





Part	NO.	Length(mm)	QTY.
	PSJ8-50	PCS	24
	DQ6-12	PCS	24
	SW6-50	PCS	24

For concrete or For wood



Reference Dimension		
product	X	Y
SH9002F	2000mm	2810mm
SH9002F5	2500mm	3310mm
SH9003F	3000mm	3810mm
SH9003F5	3500mm	4310mm
SH9004F	4000mm	4810mm
SH9004F5	4500mm	5310mm
SH9005F	5000mm	5810mm

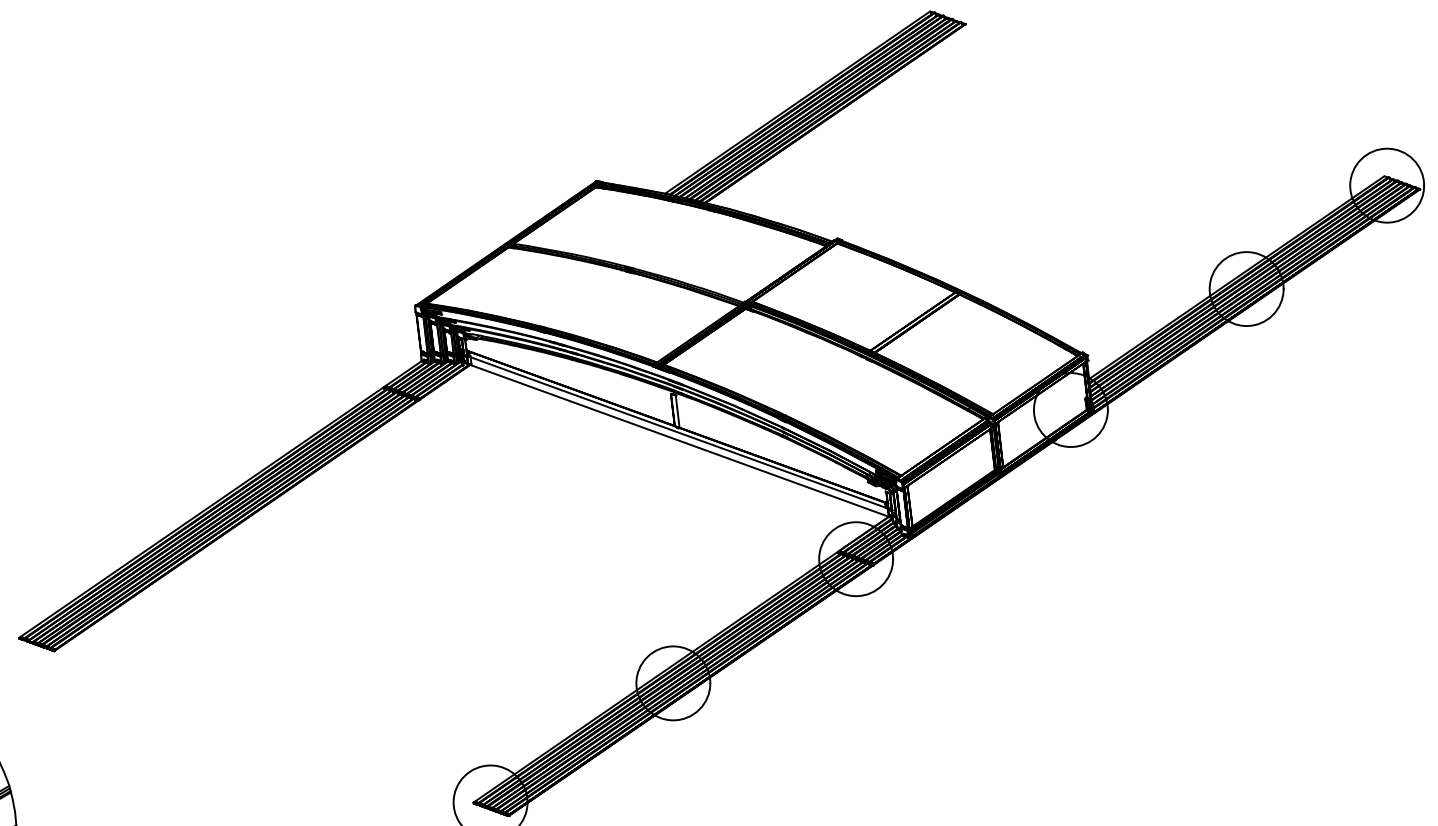
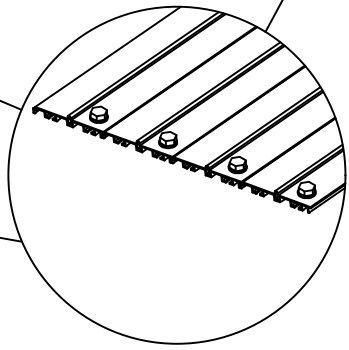
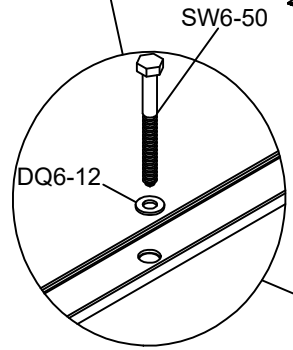
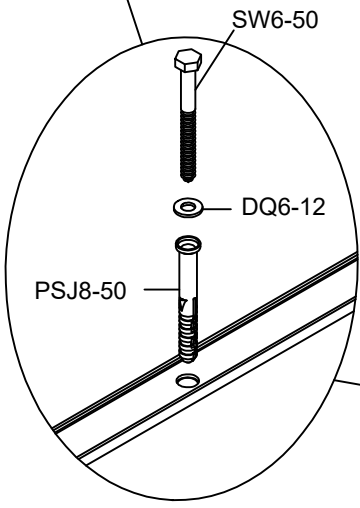
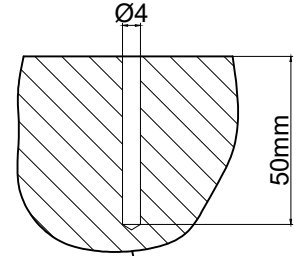
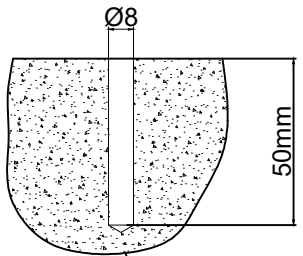




Part	NO.	Length(mm)	QTY.
	PSJ8-50	PCS	24
	DQ6-12	PCS	24
	SW6-50	PCS	24

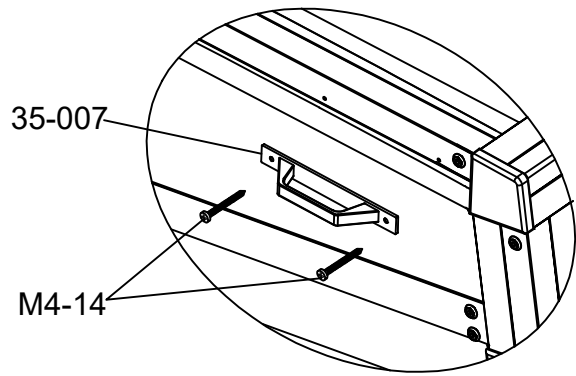
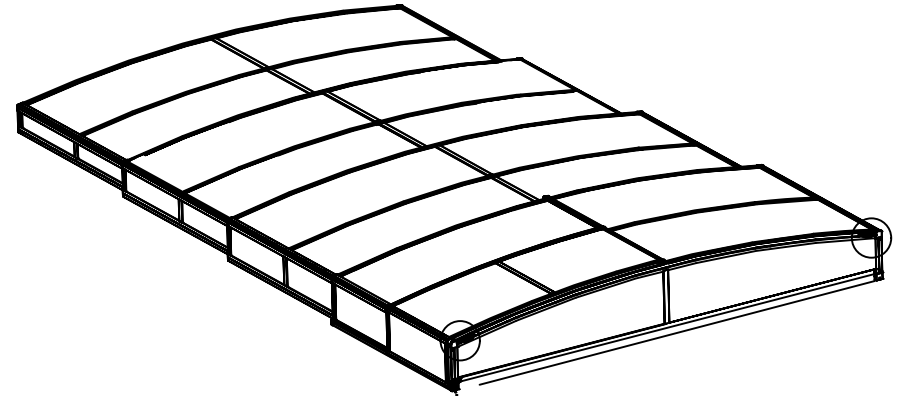
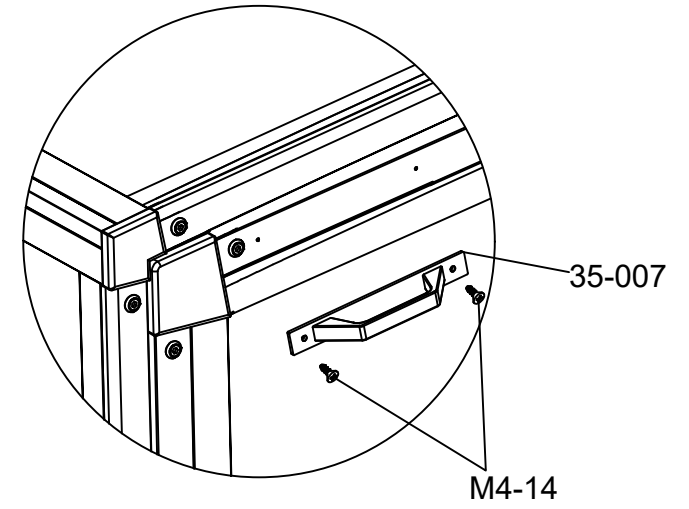
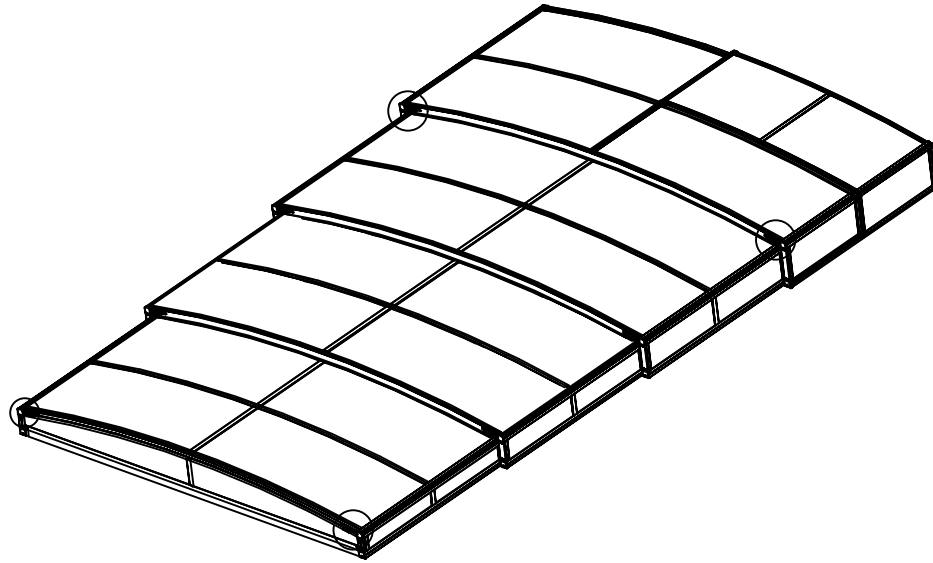
For Concrete

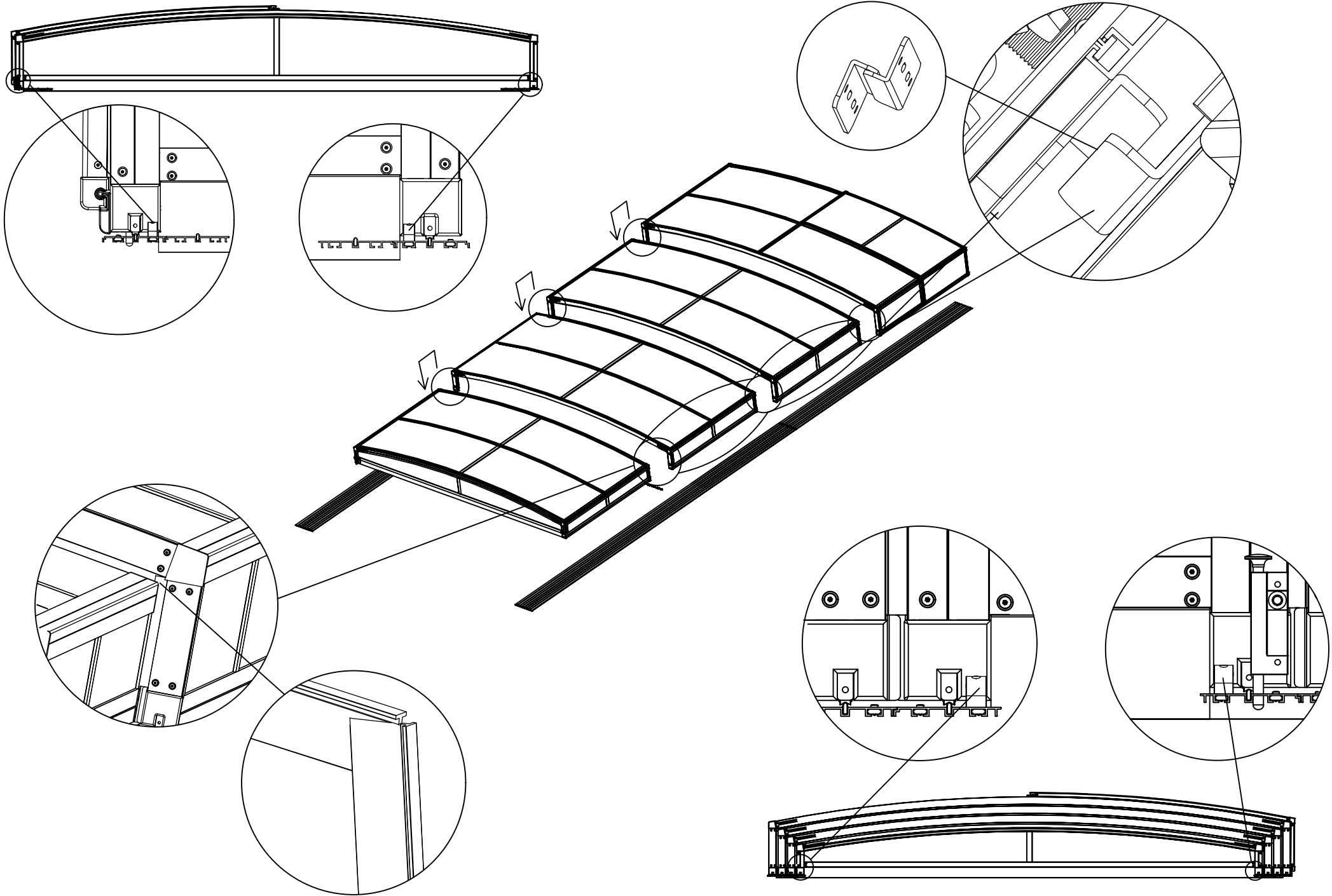
Or

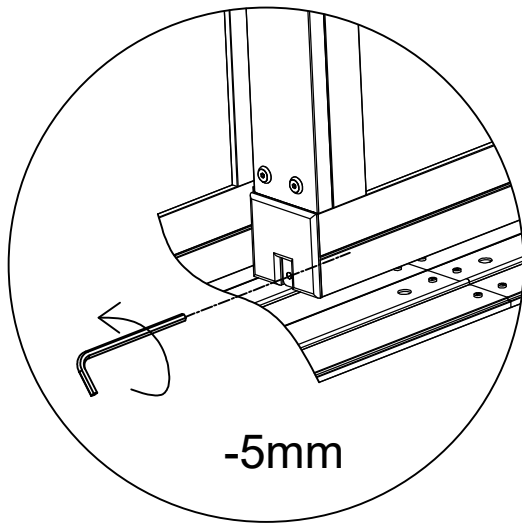
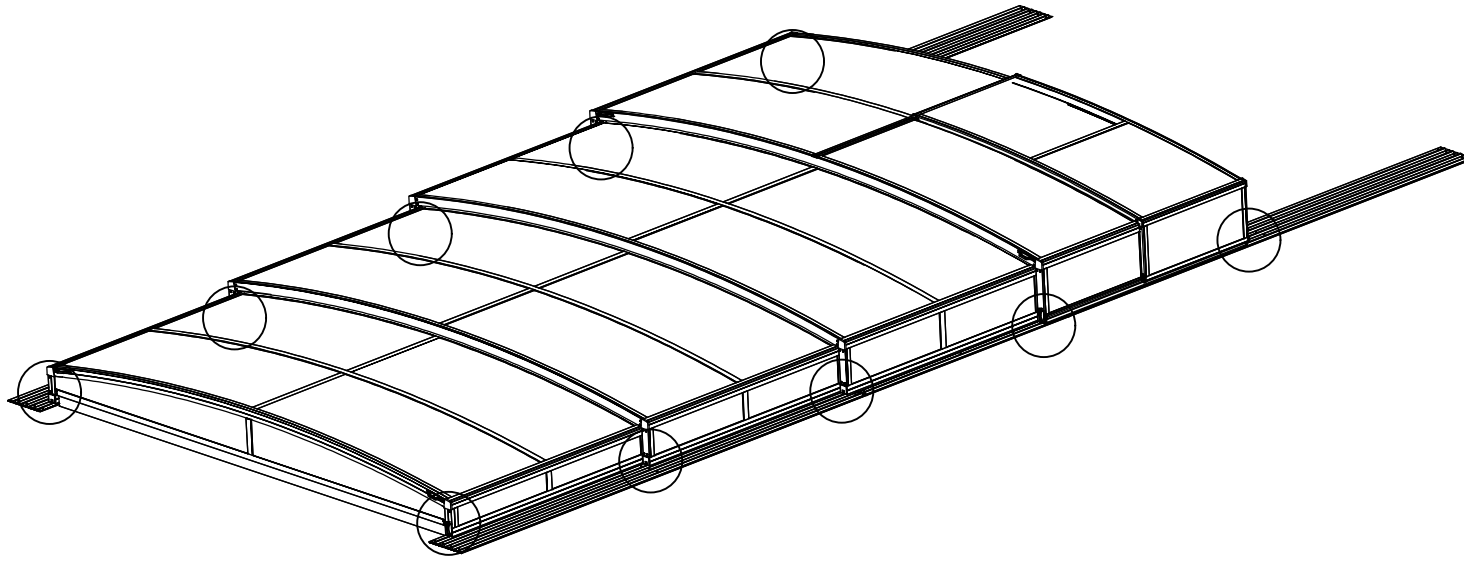
For Wood



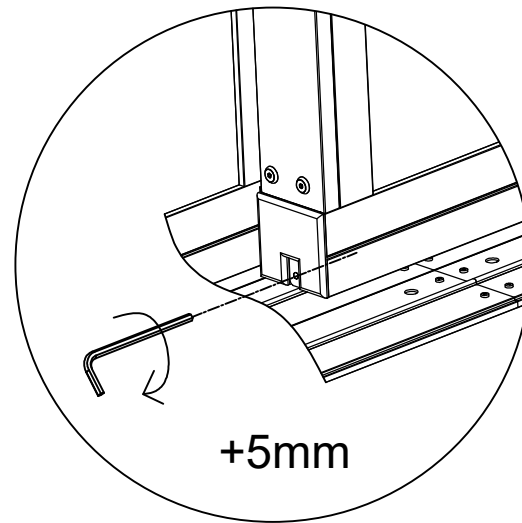
Part	NO.	QTY.	Length(mm)
	7B35-007	6	PCS
	M4-14	12	PCS







-5mm



+5mm

