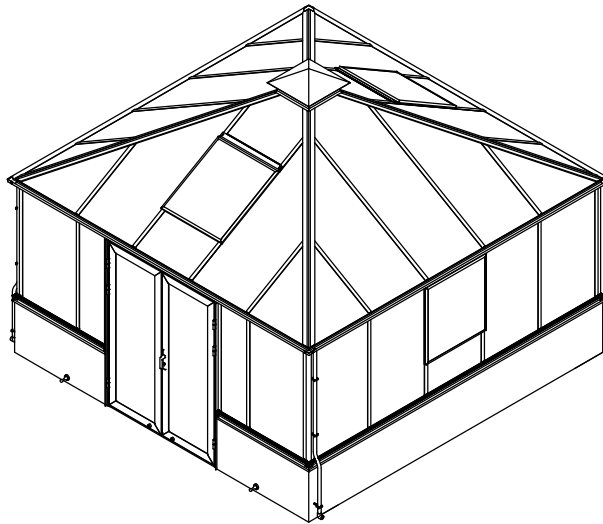


Green Room®

BY WILLAB GARDEN



3034-HD

Product size (L×W×H):389×389×325cm

Please read carefully before assembling
Two people are needed

3034-HD

Storlek (L×B×H):389×389×325cm

Läs noggrant innan montering.
Det krävs två personer för montering.

3034-HD

Størrelse (L×B×H):389×389×325cm

Læs venligst omhyggeligt, før montering.
Der kræves to personer til montering.

3034-HD

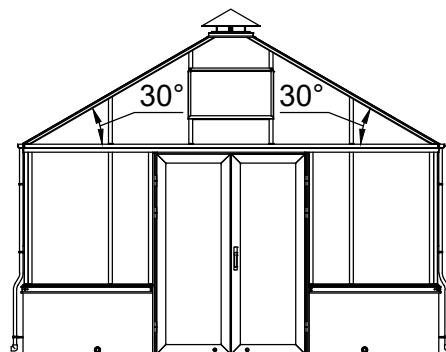
Størrelse (L×B×H):389×389×325cm

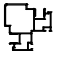


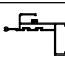
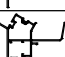

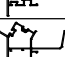





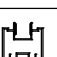

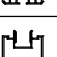

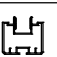
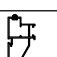
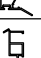

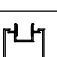
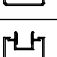



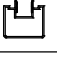
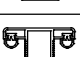
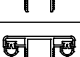


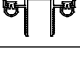
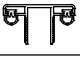
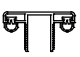
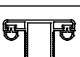
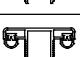
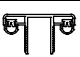

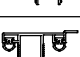
Les monteringsanvisningen nøye innen
montering.
Det kreves to personer for montering.

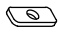

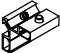




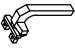
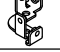





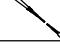














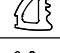
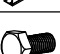



















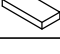

3034-HD


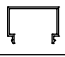


Koko (P×L×K):389×389×325cm

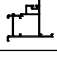
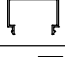

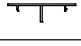

Lue ohjeet huolellisesti läpi ennen asentamista.
Asentamiseen tarvitaan kaksi henkilöä.

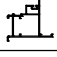
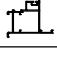
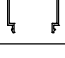
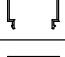
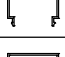
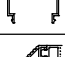
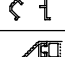
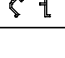



Part	NO.	QTY.	Length(MM)	Page	Part	NO.	QTY.	Length(MM)	Page
	30A-Y20	4	1236	P3		30X-Y63-A	4	452	P13
	30X-Y61-5	1	3889	P3		30X-Y80E-A	2	801	P23
	30X-Y60-5	1	3889	P3		40X-Y81E	8	882	P23~24
	30X-Y62-5NR	1	3889	P3		40X-Y82E	2	801	P23
	30X-Y62-5NL	1	3889	P3		30X-Y80E-B	2	801	P24
	40A-Y30	12	1235	P5		30X-Y82E	2	801	P24
	40A-Y30R	2	1235	P5		30X-Y62-A	2	860	P25
	40A-Y30L	2	1235	P5		30X-Y34-A	2	790	P25
	40X-Y34B	6	713	P5~7					
	30X-Y63	4	432	P6					
	30X-Y63-B	4	290	P6					
	30X-Y21-5	4	2702	P6					
	30X-Y32L-5	2	1711	P6~7					
	30X-Y31R-5	4	844	P6~7					
	30X-Y31L-5	4	844	P6~7					
	30X-Y33R-5	2	1711	P7					
	30X-Y33L-5	2	1711	P7					
	30X-Y32R-5	2	1711	P7					
	40A-Y01	22	1235	P10					
	40A-Y02	2	1235	P10					
	40X-Y07	4	712	P10~12					
	30X-Y03R-5	2	1750	P12					
	30X-Y03L-5	2	1750	P12					
	30X-Y05R-5	2	1750	P12					
	30X-Y05L-5	2	1750	P12					
	30X-Y04R-5	4	883	P12					
	30X-Y04L-5	4	883	P12					
	30X-Y07	2	712	P12					
	30X-Y08R-5	4	2673	P12					
	30X-Y08L-5	4	2673	P12					

Part	NO.	QTY.	Length(MM)	Page	Part	NO.	QTY.	Length(MM)	Page
	7B26-025	8	PCS	P2		T07	8	PCS	P26
	W06	20	46	P2~24		T03R	2	PCS	P27
	PS8-80	16	PCS	P2		T03L	2	PCS	P27
	J09	40	PCS	P2~24		T02A	2	PCS	P27
	7B26-017	4	PCS	P3		M5-35	4	PCS	P27
	M6-8	48	PCS	P3~7		7C33-S02	2	PCS	P29
	J08	1	PCS	P3~25		7C33-S03	4	PCS	P30
	L06	8	1400	P3		Z4.8-25	4	PCS	P30
	Si6-16	132	PCS	P3~7		7C33-S04	2	PCS	P30
	J05	140	PCS	P3~7		J07-A	2	PCS	P30
	7B26-018	8	PCS	P3~6		J07-B	2	PCS	P30
	W05	4	27	P4					
	Si6-12	8	PCS	P4		7B26-024	1	PCS	P22
	7B26-033	8	PCS	P4		7C26-S01A	2	1900	P30
	Si5-16	24	PCS	P5~7					
	7C28-004	54	PCS	P5~25		7C26-007N	15M		P11
	W02	4	22	P6		7C26-009A	1.2M		P13
	S6-10	16	PCS	P6~22		MCJT002	14		P23~24
	Mi8	20	PCS	P6~22					
	S8-12	20	PCS	P6~22		TOOL-001	1	274	P2~30
	Z4.2-13	46	PCS	P7~27		TOOL-002	1	80	P2~30
	7B26-016	4	PCS	P21		TOOL-003A	1	2MM	P5~25
	M4-10	16	10	P21		TOOL-004A	1	3MM	P26
	7B26-023	4	PCS	P22		TOOL-005	1	4MM	P3~18
	Mi6	16	PCS	P22		TOOL-006	1	5MM	P2~17
	7B26-022	4	PCS	P22					
	Mi8A	4	PCS	P22					
	W04	16	PCS	P23~24					
	Z4.2-38	8	PCS	P25					
	J11	4	PCS	P25					
				1b/30					













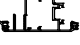
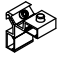
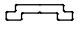


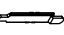






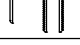



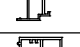

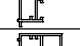

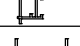





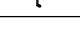








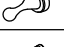



	Part	NO.	QTY.	Length(MM)	Page
3033P-S-BASE5 (2PCS)		40A-Y11-5	2	3924	P2
		40A-Y11-5A	2	3714	P2
		40X-Y15-5	2	3900	P9
		30X-Y62-BN	4	1512	P28

	Part	NO.	QTY.	Length(MM)	Page
3033P-S-5F		50A-Y12	1	3924	P2
		50A-Y12-A	1	3774	P2
		40X-Y15-5	1	3900	P9
		30X-Y62-BN	2	1512	P28
		30X-Y60-5AN	1	3887	P28

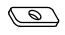











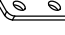


















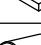


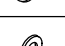


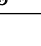

	Part	NO.	QTY.	Length(MM)	Page
3043PA-S-5		50A-Y13L	1	1230	P2
		50A-Y13R	1	1230	P2
		40A-S11-5AL	1	1125	P2
		40A-S11-5AR	1	1125	P2
		50A-Y13L-A	1	1155	P2
		50A-Y13R-A	1	1155	P2
		50A-Y15-L	1	1218	P9
		50A-Y15-R	1	1218	P9

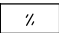
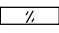
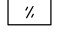

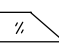
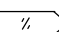

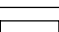
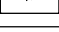
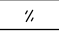
	Part	NO.	QTY.	Length(MM)	Page
3000P-30X-Y60-5AN					
		30X-Y60-5AN	1	3887	P28

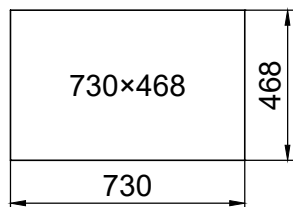
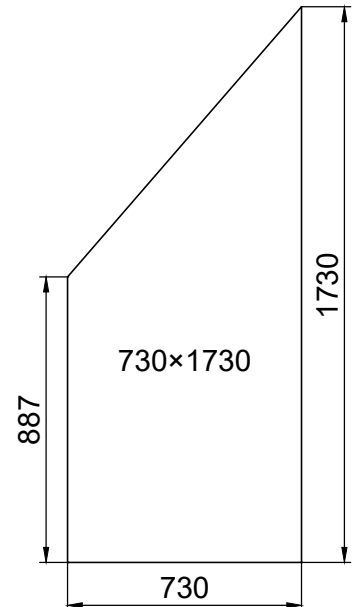
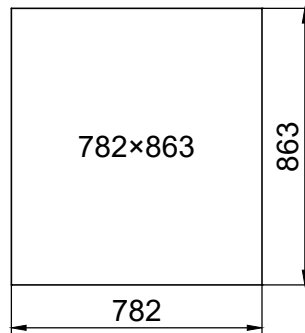
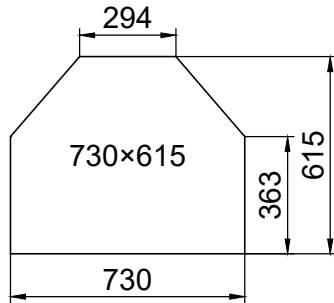
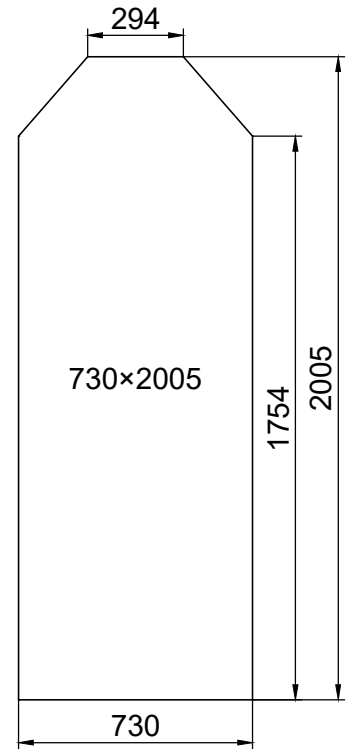
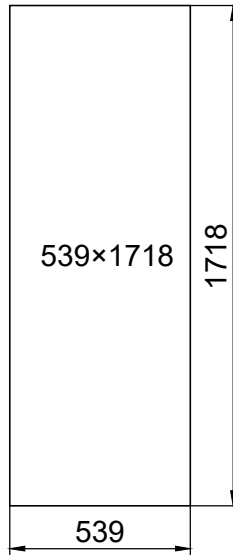
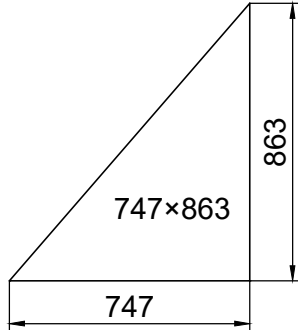
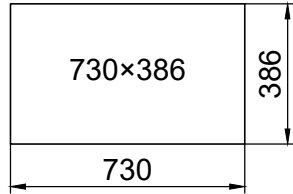
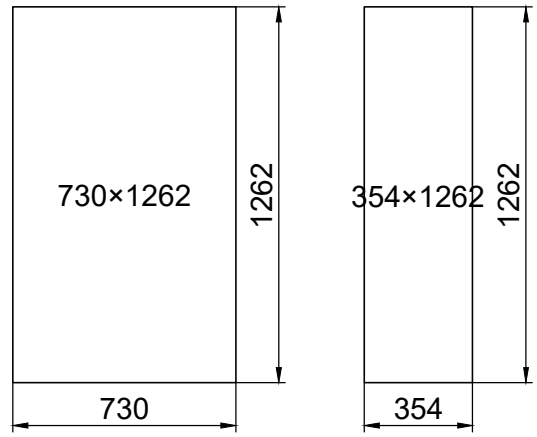
3040P-HD

Part	NO.	QTY.	Length(MM)	Page	Part	NO.	QTY.	Length(MM)	Page
	40A-Y101L	1	1910	P6		7C26-031	2	PCS	P6
	40A-Y101R	1	1910	P6		Si6-25	8	PCS	P6
	40A-Y108R	1	693	P14		J05	8	PCS	P6
	40A-Y106	2	1872	P14		PSJ8-50	2	PCS	P6
	40A-Y107R	1	1872	P14		DQ6-12	2	PCS	P6
	40A-Y109R	1	693	P14		SW6-50	2	PCS	P6
	40A-Y107L	1	1872	P14		W07	8	37	P14
	40A-Y115	2	766	P14		W04	8	PCS	P14
	40A-Y108L	1	693	P14		T19	2	PCS	P14
	40A-Y109L	1	693	P14		40X-Y91-A3	1	PCS	P14
	40A-Y110	4	1748	P15		Z3.5-25	2	PCS	P14
	40A-Y111	4	569	P15		Z4.2-38	4	PCS	P15
	40A-Y112	4	1754	P15		7C28-004	4	PCS	P15
	40A-Y113	4	576	P15		T11R(-1/-2)	3	PCS	P16~19
	40A-Y114	1	1817	P15		T11L(-1/-2)	3	PCS	P16~19
	40A-Y102L	1	1910	P17		Ma6-12	8	PCS	P17~18
	40A-Y102R	1	1910	P17		M6	8	PCS	P17~18
	40A-Y103	1	1380	P18		7C33-001	8	PCS	P17
	40A-Y104	1	1380	P18		M6-35	8	PCS	P17
	40A-Y105	1	1380	P18		My6-30	8	PCS	P17
						7B26-122	2	PCS	P18
						My6-10	4	PCS	P18
						Si5-16	2	PCS	P18
						T16	1	PCS	P20
						Mc5-35	2	PCS	P20
						T14	1	PCS	P20
						T15	1	PCS	P20
						T21	2	PCS	P20
						J07-A	6	PCS	P20
						Za4.2-38	6	PCS	P20
						TOOL-003B	1	2.5MM	P14~19

Spare Part Bag For Green Room Square Wall

Part	NO.	QTY.	Length(MM)	Page	Part	NO.	QTY.	Length(MM)	Page
	7B26-025	2	PCS	P2		M6	2	PCS	P10~18
	J09	4	PCS	P2~24		7C33-001	2	PCS	P10
	M6-8	4	PCS	P3~18		M6-35	2	PCS	P10~18
	Si6-16	10	PCS	P3~18		My6-30	2	PCS	P10
	J05	10	PCS	P3~19		My6-10	2	PCS	P11
	Si6-12	2	PCS	P3		Mc5-35	2	PCS	P13
	7B26-033	2	PCS	P3		J07-A	2	PCS	P13~29
	Si5-16	4	PCS	P4~5		Za4.2-38	2	PCS	P13
	7C28-004	6	PCS	P4~25		Si6-35	2	PCS	P18
	S6-10	4	PCS	P5~22		Z4.2-50	2	PCS	P19
	Mi8	4	PCS	P5~22		M4-40	2	PCS	P20
	S8-12	4	PCS	P5~22		Mi4-17	2	PCS	P20
	Z4.2-13	6	PCS	P5~27		M4-10	4	PCS	P21
	Z3.5-25	2	PCS	P8~20		Mi6	4	PCS	P22
	W04	4	PCS	P8~24		Mi8A	2	PCS	P22
	Z4.2-38	2	PCS	P9~25		J11	2	PCS	P25
	7C26-031	2	PCS	P10~19		T07	2	PCS	P26
	Si6-25	2	PCS	P10~19		M5-35	2	PCS	P27
	DQ6-12	2	PCS	P10		Z4.8-25	2	PCS	P29
	Ma6-12	2	PCS	P10~18					

Part	NO.	QTY.	Length(MM)	Page
	730×1262	15	1262	P8
	354×1262	2	1262	P8
	730×386	2	730	P8
	747×863	8	863	P12
	730×1730	8	1730	P12
	730×2005	2	2005	P12
	730×615	2	730	P12
	730×468	2	730	P12
	539×1718	2	1718	P15
	782×863	4	863	P23~24



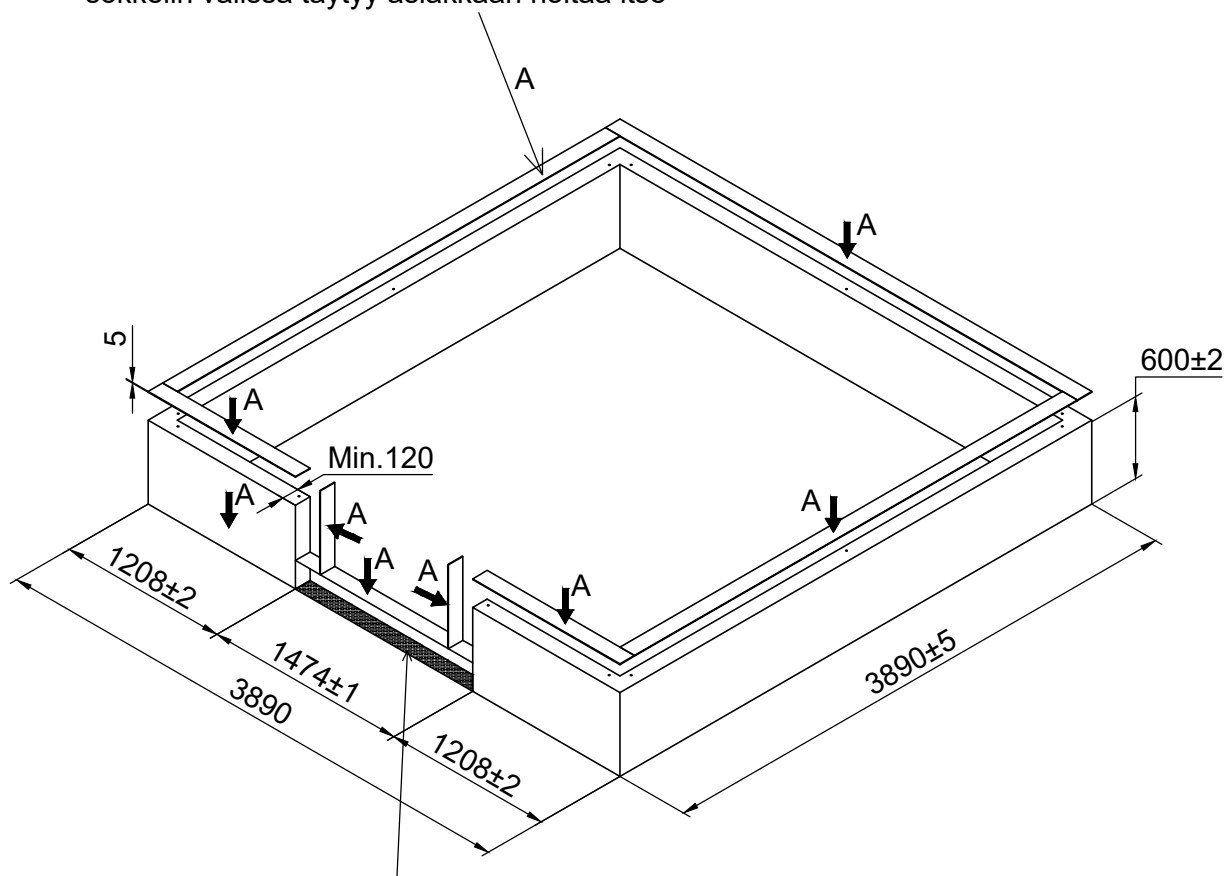
Sealing should be done to prevent frost from destroying the wall. The sealant between the wall and foundation of the greenroom is provided and handled by customers themselves.

Tätning bör göras för att muren ej skall frostsprängas. Tätning mellan mur och sockel står kunden själv för.

Tætningen bør gøres for at forhindre frostsprængninger i muren. Tætningen mellem mur og aluminiumprofil står kunden selv for

En tetning bør lages for å hindre frostsprengning av muren. Tetning mellom mur og sokkel ordnes av kunden selv

Tiivistys täytyy tehdä, jotta muuri ei hajoa pakkasella. Tiiviste muurin ja sokkelin välissä täytyy asiakkaan hoitaa itse



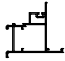
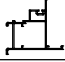
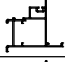
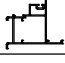

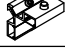
Make sure the floor below the doors frame should be flat and solid.

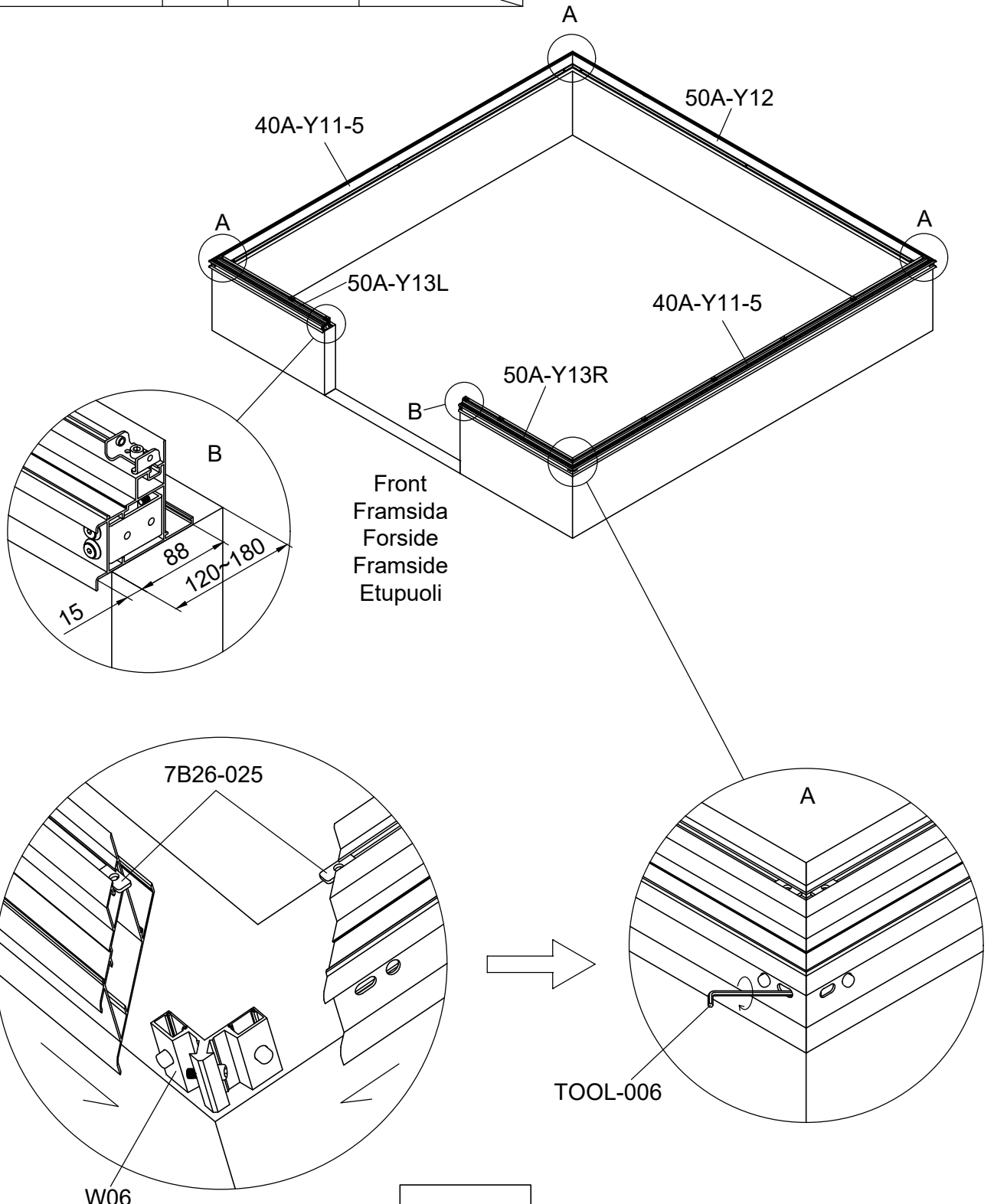
Se till att underlaget under dörramen är plan och på solid grund.

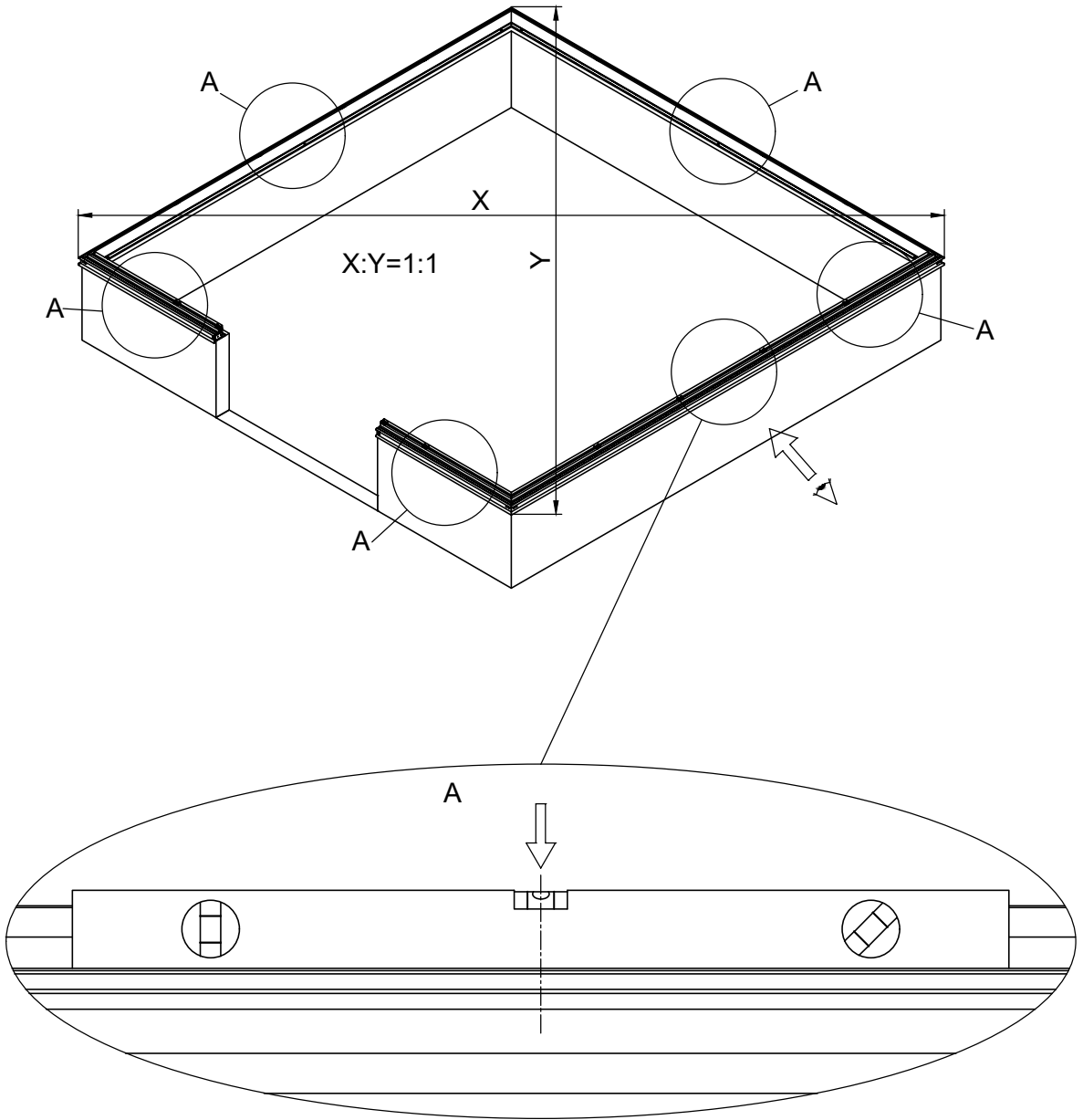
Sørg for, at underlaget under dørkarmen er plan og på fast grund.

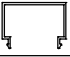
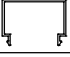
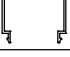
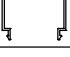

Sørg for at underlaget under dørterskelen er slett og på solid fundament.

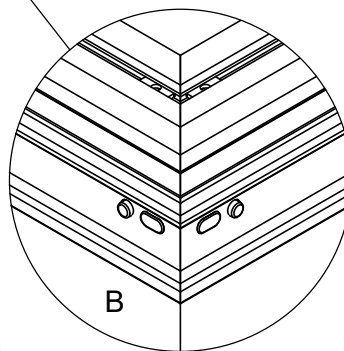
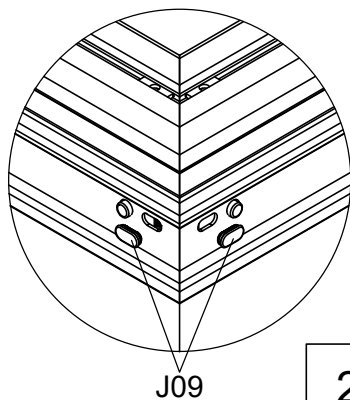
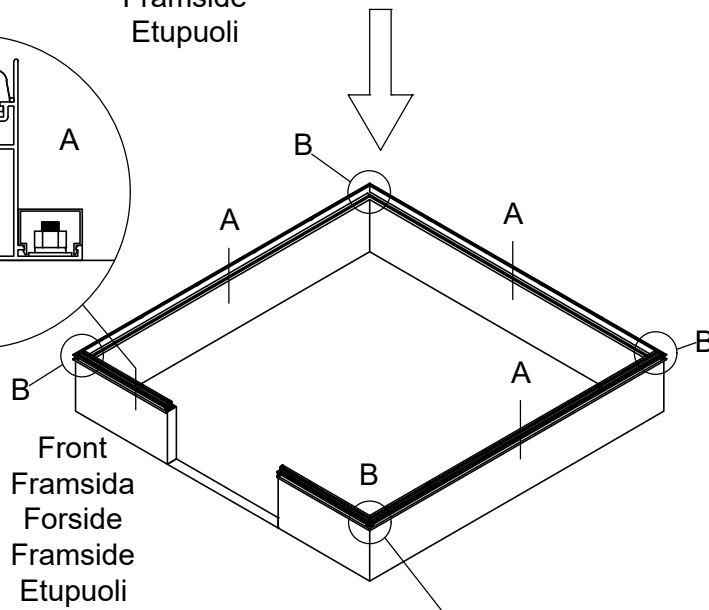
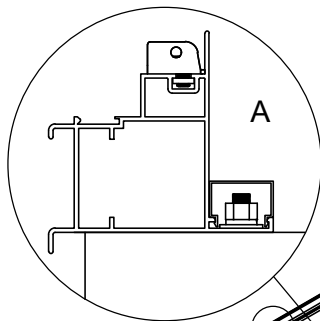
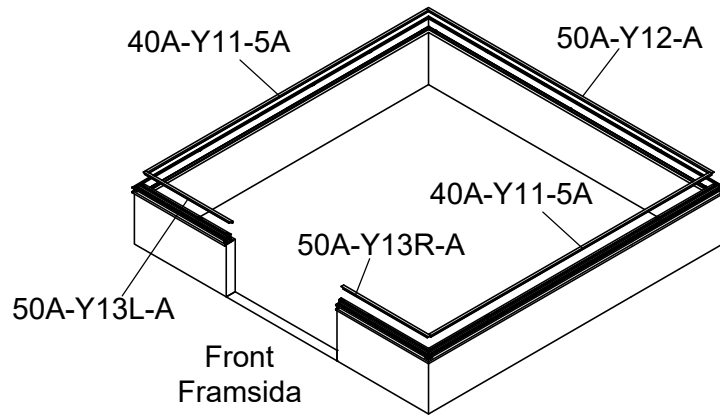
Tarkista, että maa ovikarmin alla on sileä ja tasainen.


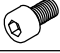

Part	NO.	QTY.	Length(MM)	CTN NO.
	40A-Y11-5	2	3924	3033P-S-BASE5
	50A-Y12	1	3924	3033P-S-5F
	50A-Y13R	1	1230	3043PA-S-5
	50A-Y13L	1	1230	3043PA-S-5
	7B26-025	8	PCS	
	W06	4	46	

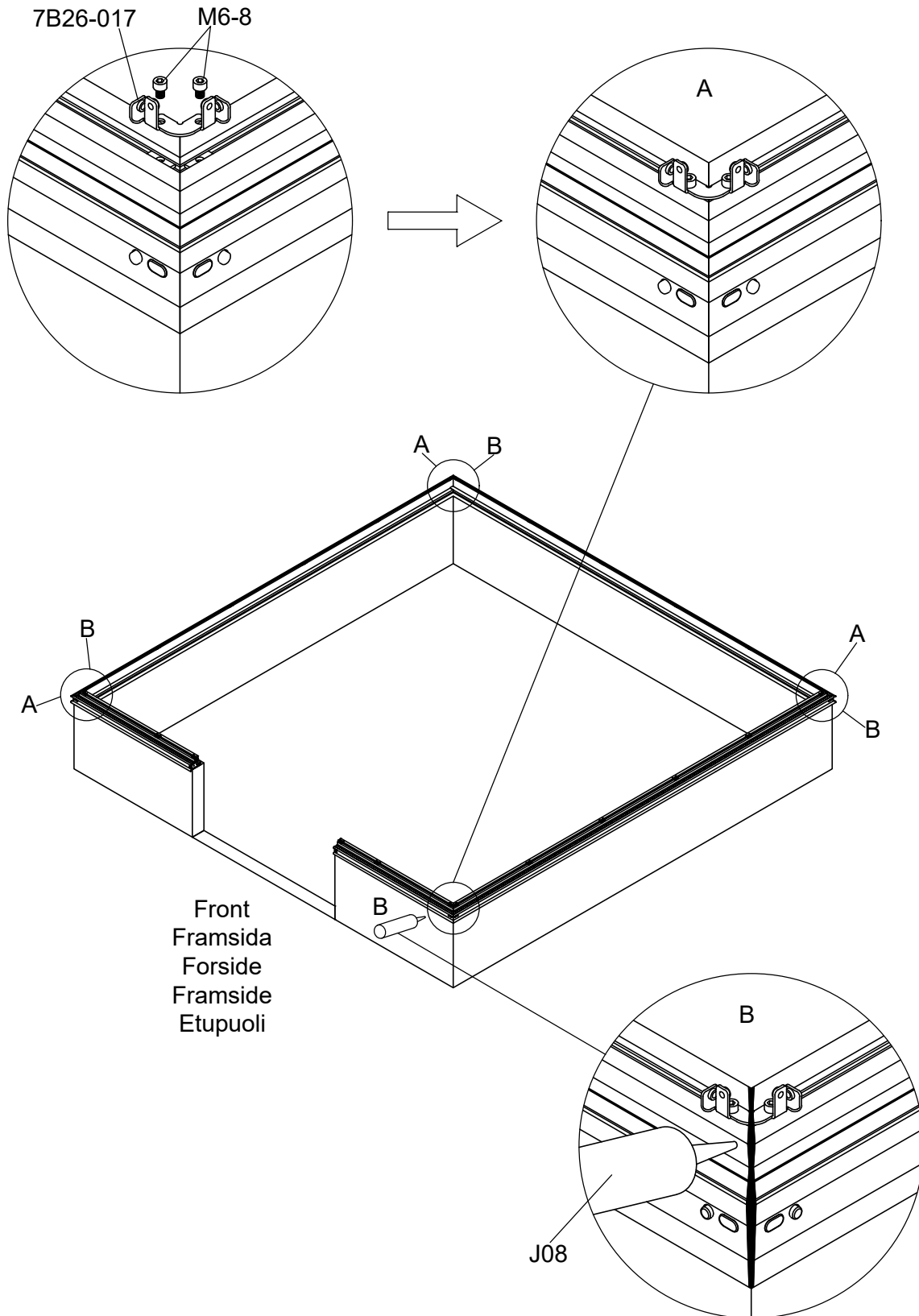


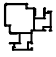






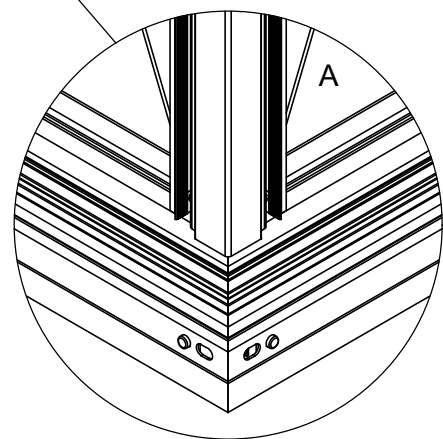
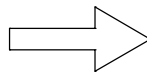
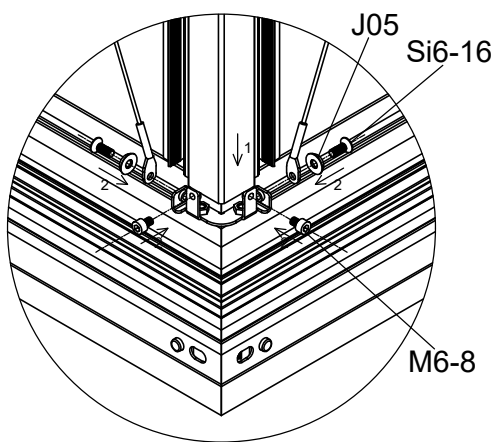
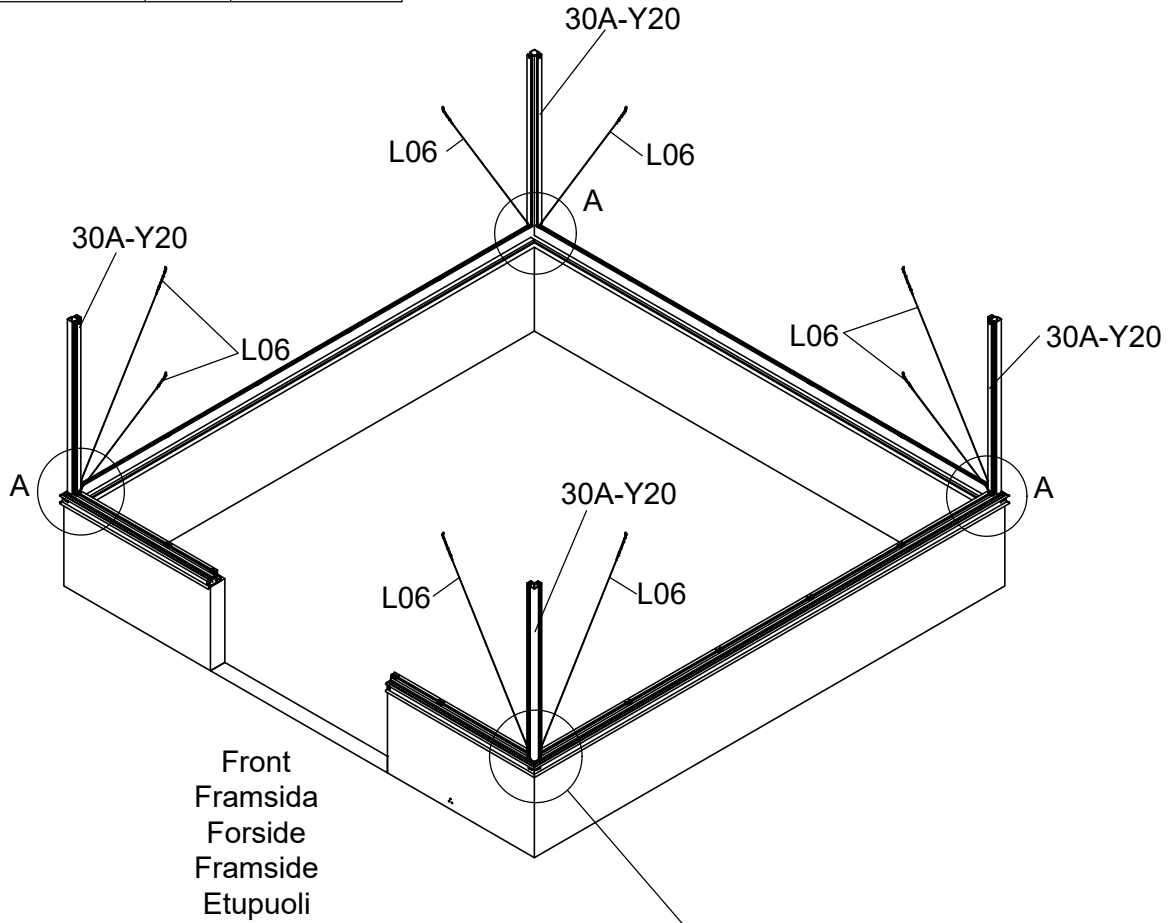
Part	NO.	QTY.	Length(MM)	CTN NO.
	40A-Y11-5A	2	3714	3033P-S-BASE5
	50A-Y12-A	1	3774	3033P-S-5F
	50A-Y13R-A	1	1155	3043PA-S-5
	50A-Y13L-A	1	1155	3043PA-S-5
	J09	8	PCS	





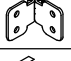
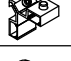
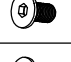
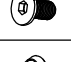
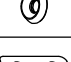
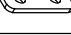


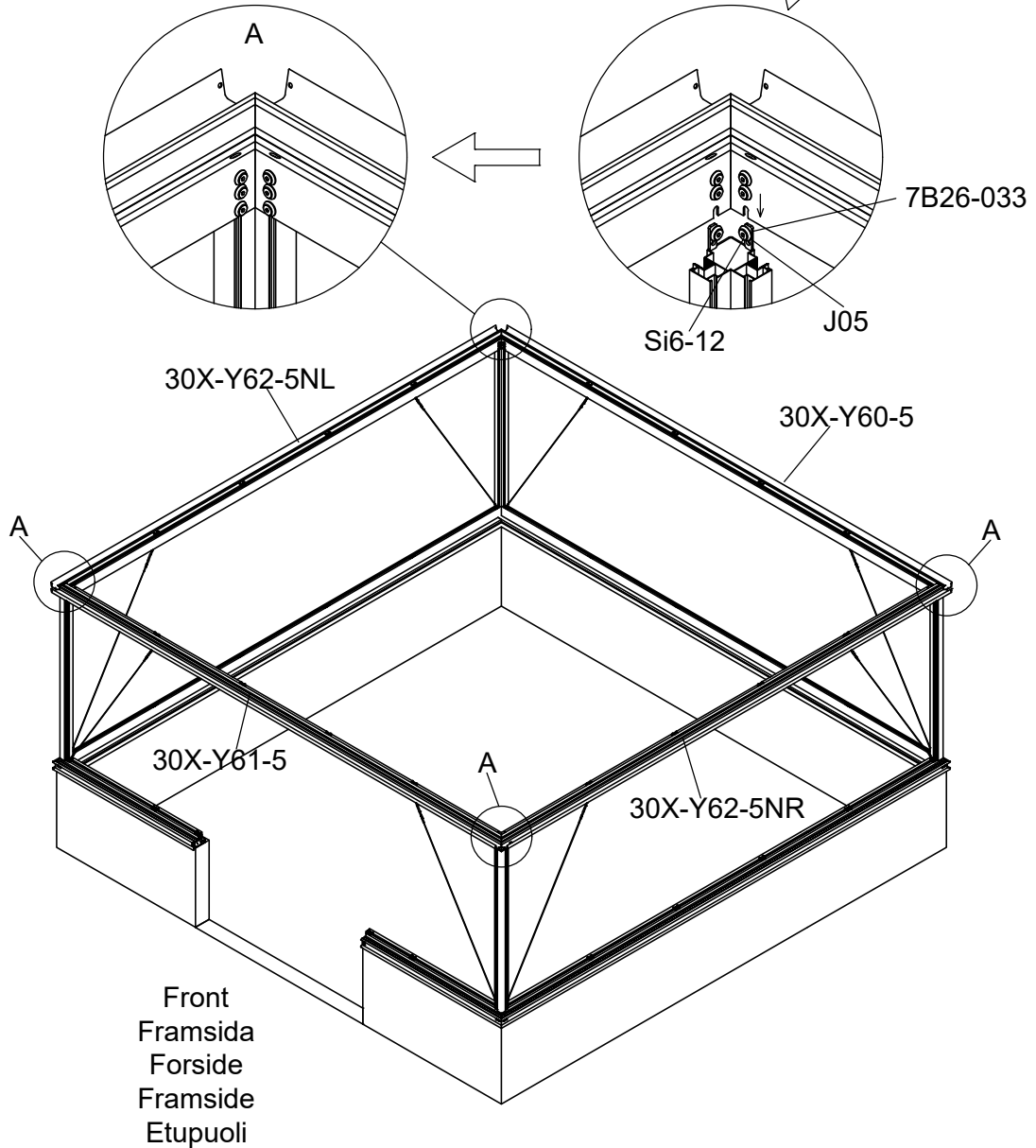
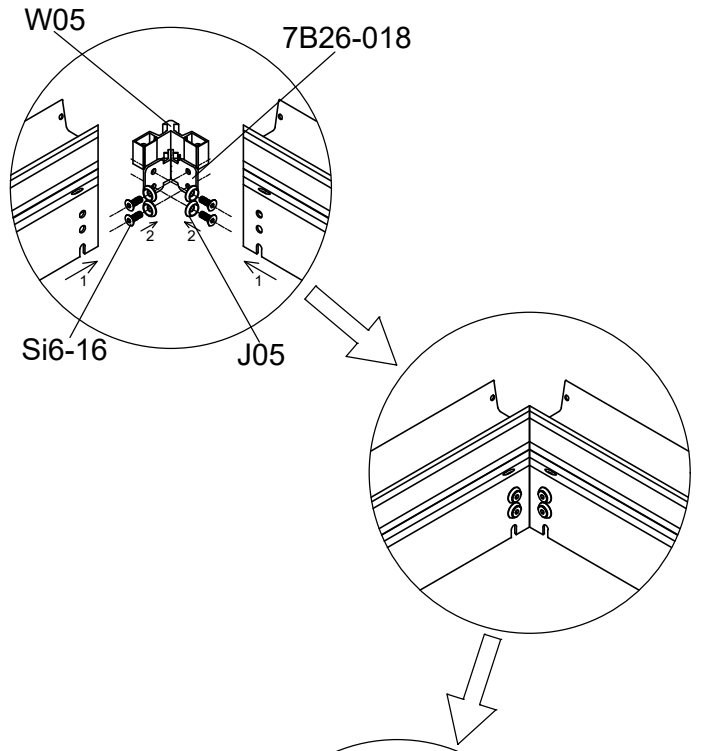
Part	NO.	QTY.	Length(MM)
	7B26-017	4	PCS
	M6-8	8	PCS
	J08	1	PCS








Part	NO.	QTY.	Length(MM)
	30A-Y20	4	1236
	L06	8	1400
	Si6-16	8	PCS
	J05	8	PCS
	M6-8	8	PCS

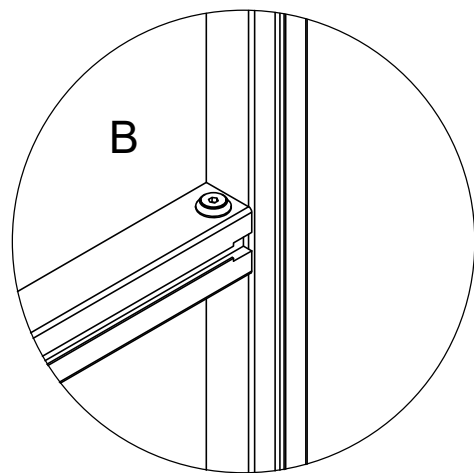
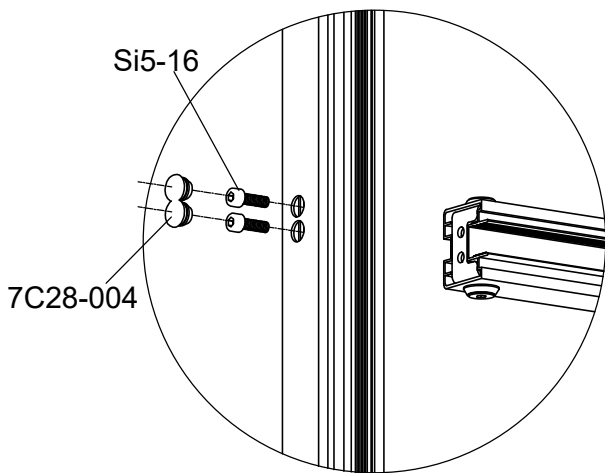
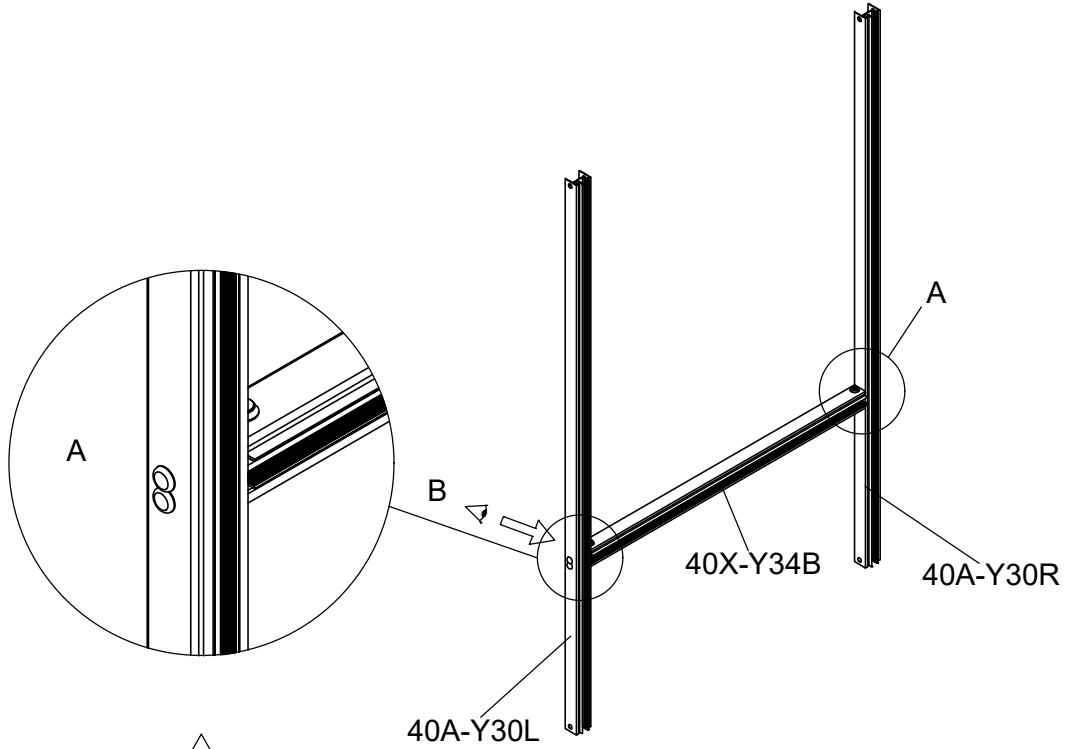





Part	NO.	QTY.	Length(MM)
	30X-Y61-5	1	3889
	30X-Y60-5	1	3889
	30X-Y62-5NR	1	3889
	30X-Y62-5NL	1	3889
	7B26-018	4	PCS
	W05	4	27
	Si6-16	16	PCS
	Si6-12	8	PCS
	J05	24	PCS
	7B26-033	8	PCS

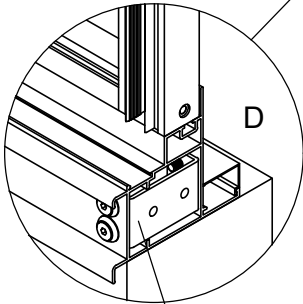
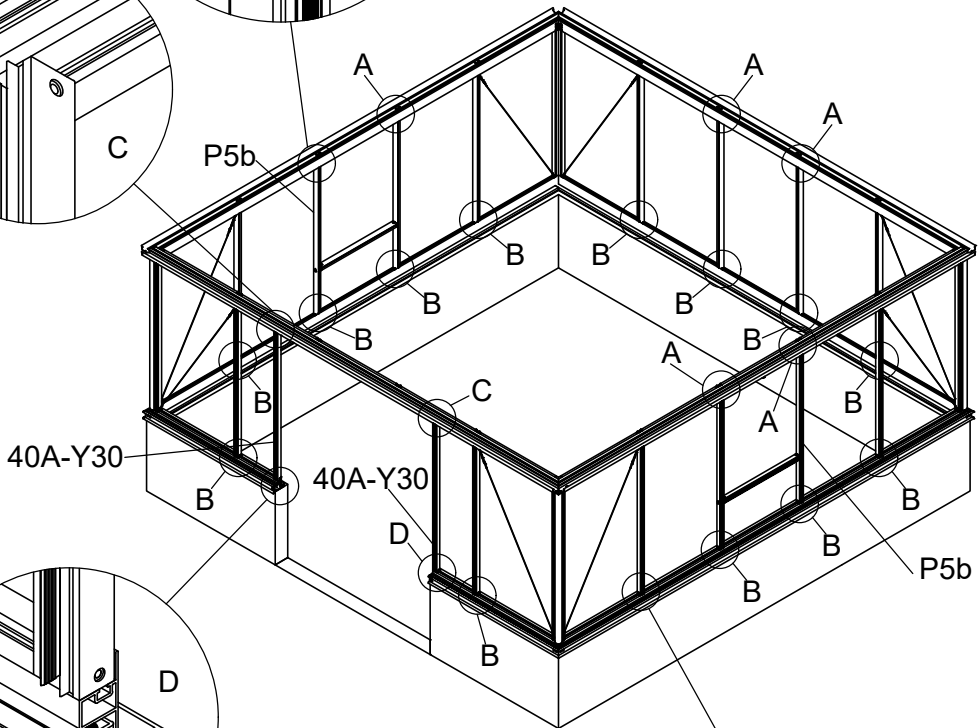
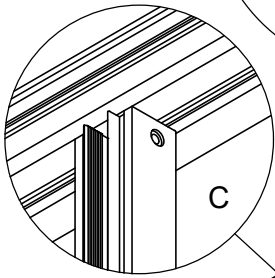
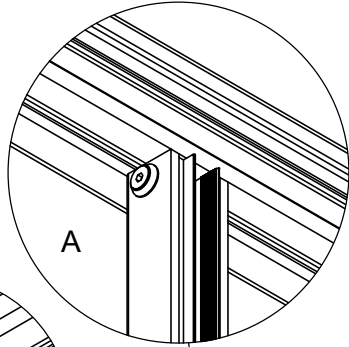
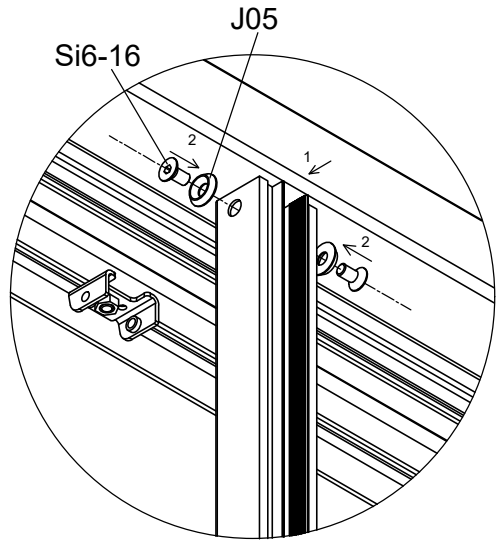


Part	NO.	QTY.	Length(MM)
	40A-Y30R	2	1235
	40A-Y30L	2	1235
	40X-Y34B	2	713
	Si5-16	8	PCS
	7C28-004	8	PCS

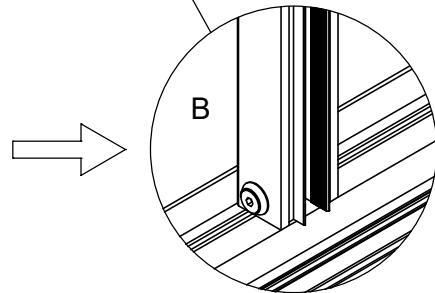
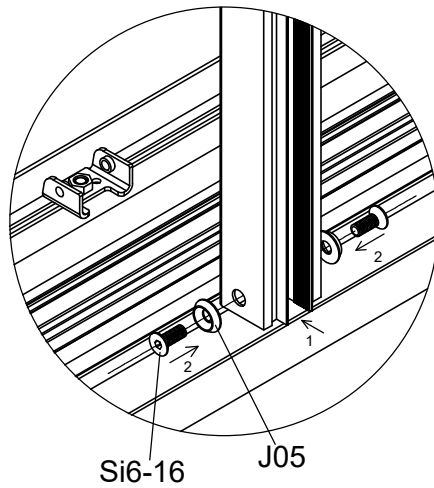
2 PCS



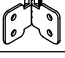


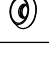



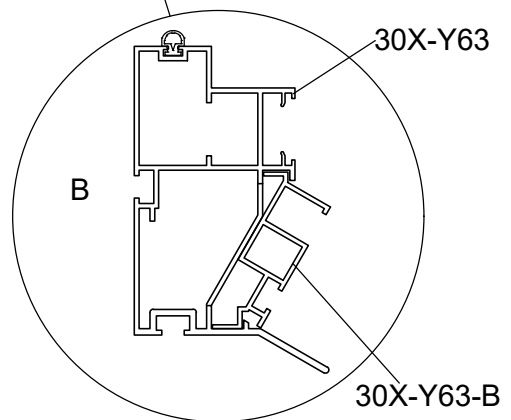
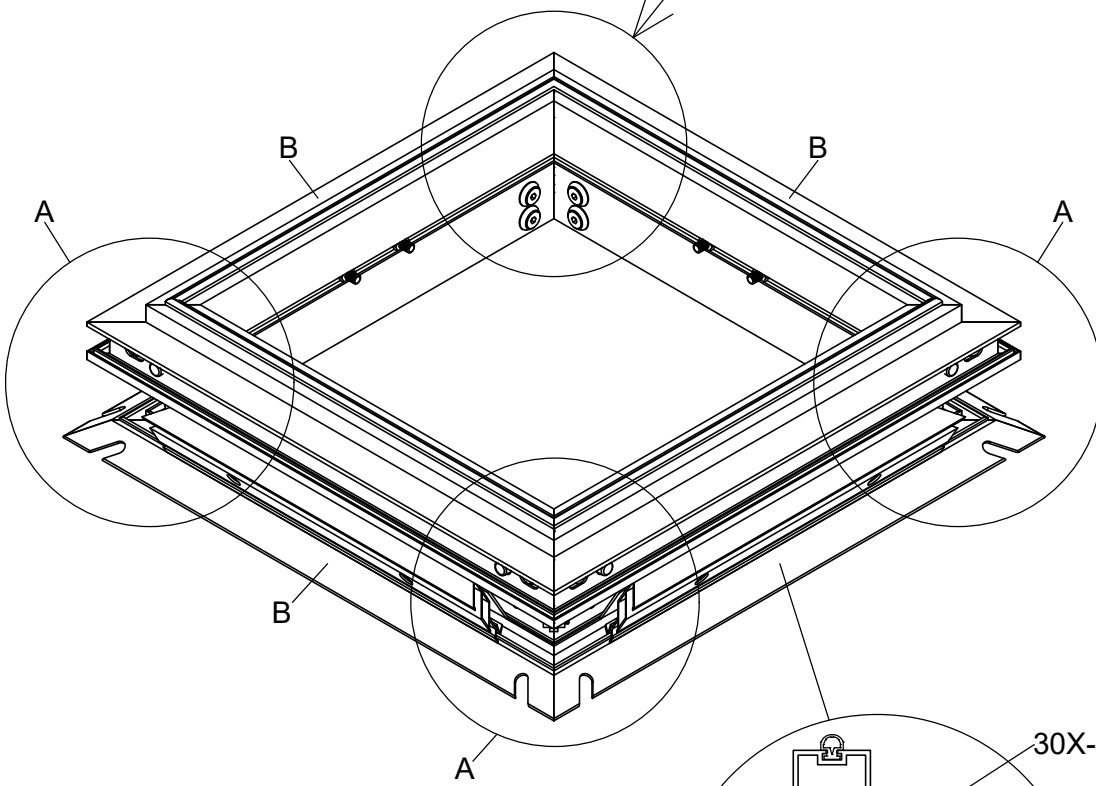
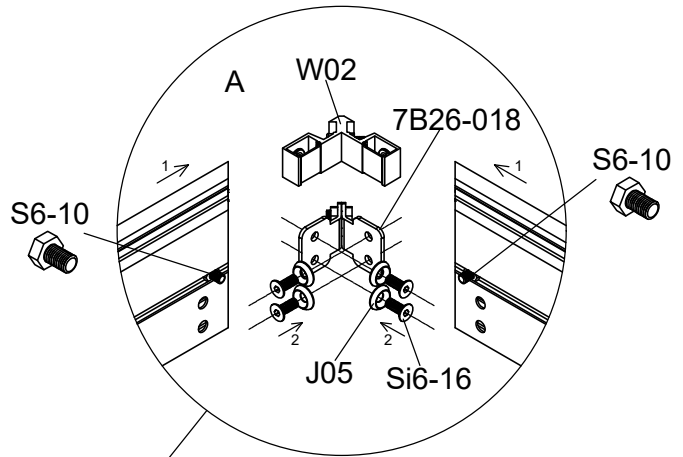
Part	NO.	QTY.	Length(MM)
	40A-Y30	4	1235
	Si6-16	44	PCS
	J05	44	PCS







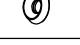




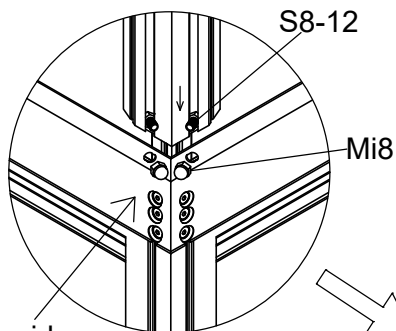
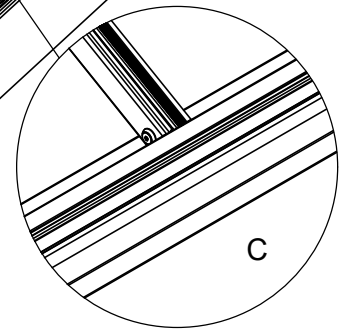
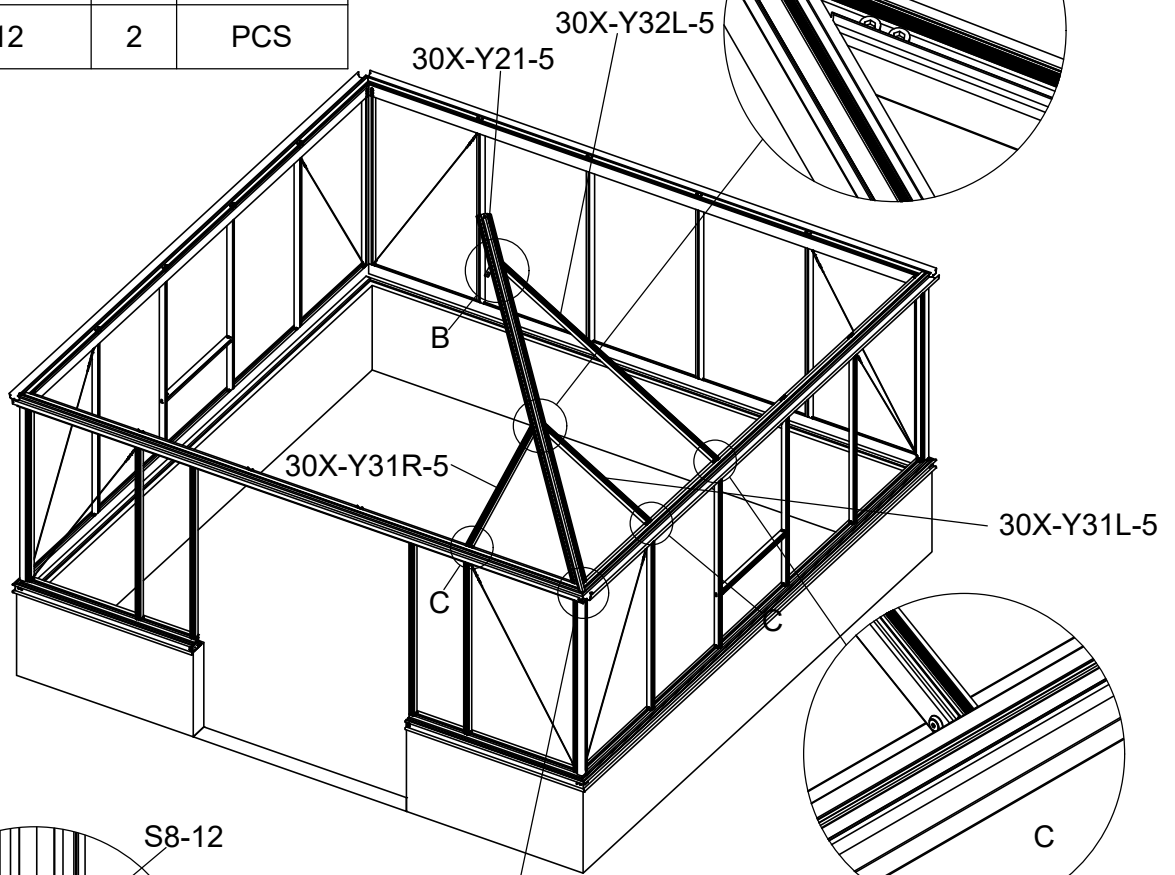
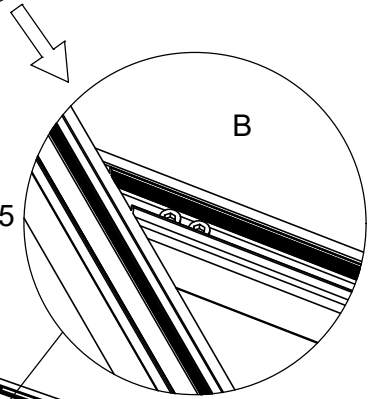
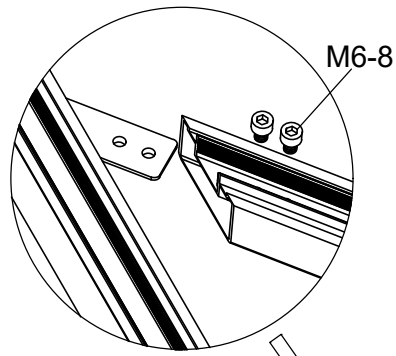
7B26-037A



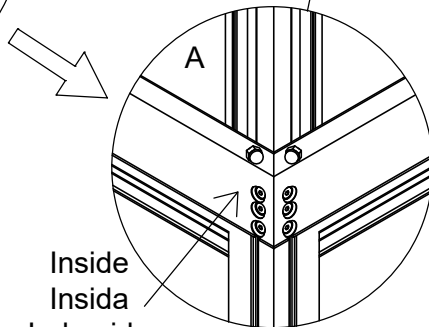
Part	NO.	QTY.	Length(MM)
	30X-Y63	4	432
	30X-Y63-B	4	290
	7B26-018	4	PCS
	W02	4	22
	Si6-16	16	PCS
	J05	16	PCS
	S6-10	8	PCS



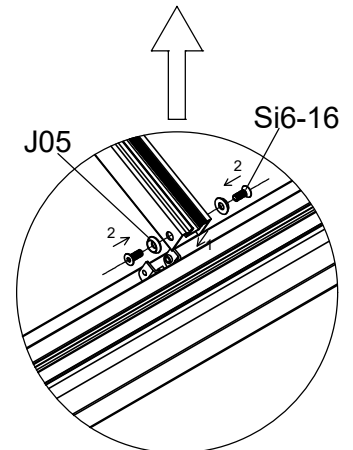
Part	NO.	QTY.	Length(MM)
	30X-Y21-5	1	2702
	30X-Y32L-5	1	1711
	30X-Y31R-5	1	844
	30X-Y31L-5	1	844
	M6-8	6	PCS
	Si6-16	6	PCS
	J05	6	PCS
	Mi8	2	PCS
	S8-12	2	PCS





Inside
 Insida
 Inderside
 Ininside
 Sisäpuoli

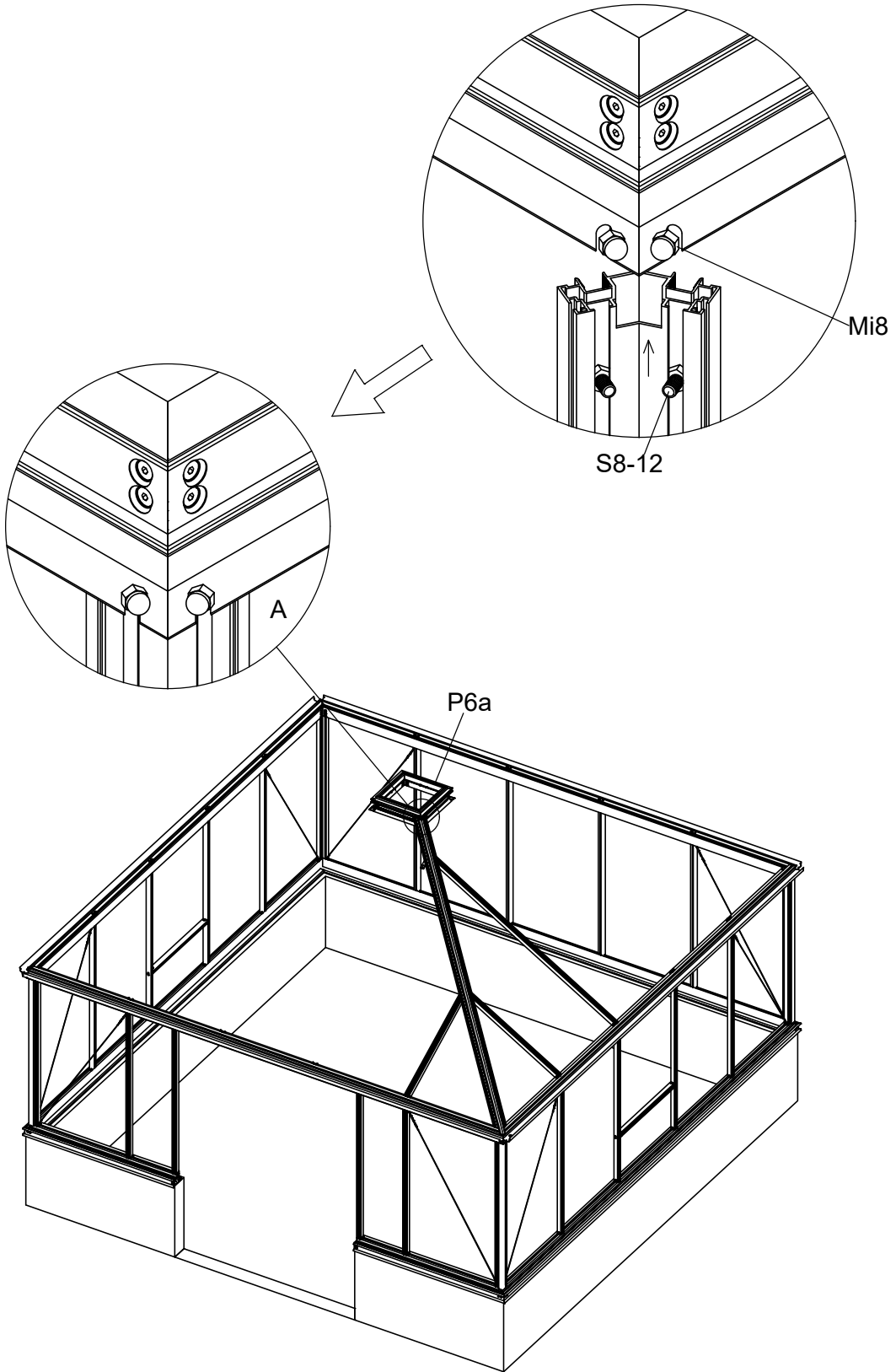





Inside
 Insida
 Inderside
 Ininside
 Sisäpuoli

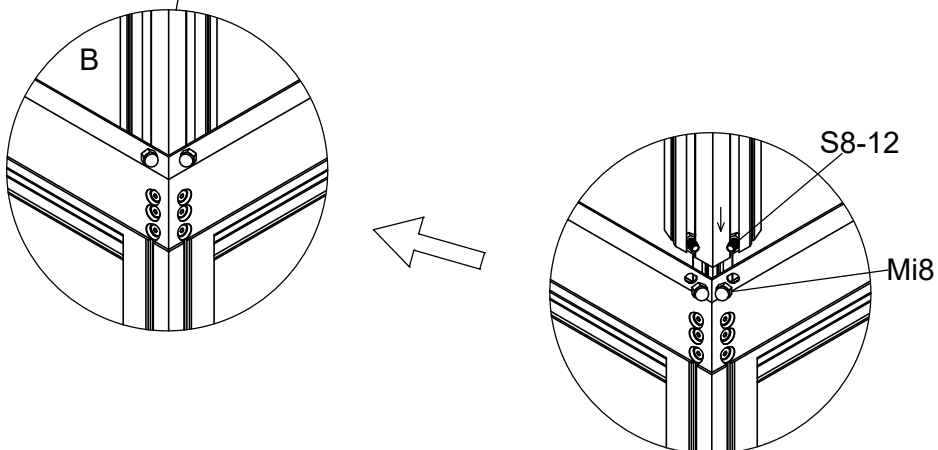
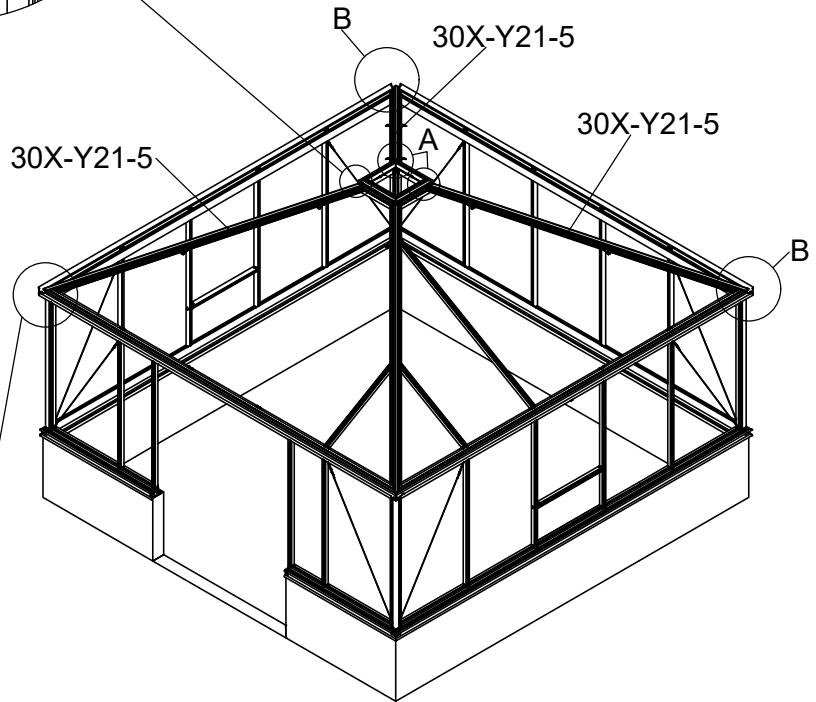
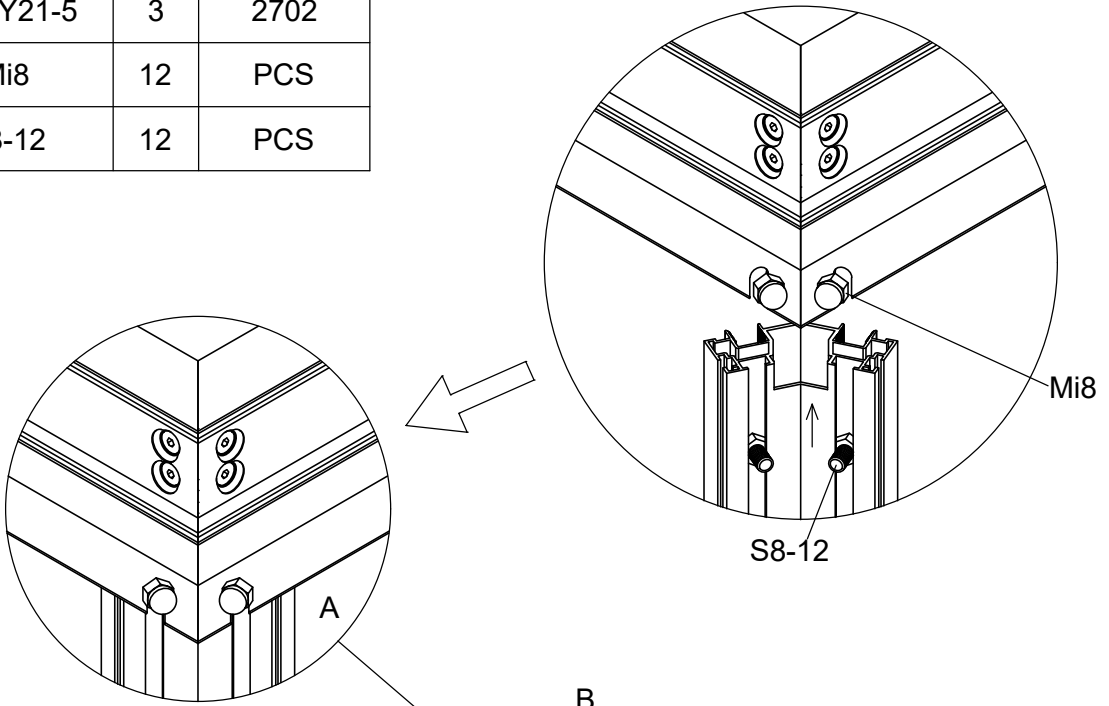







6b/30

Part	NO.	QTY.	Length(MM)
	Mi8	2	PCS
	S8-12	2	PCS

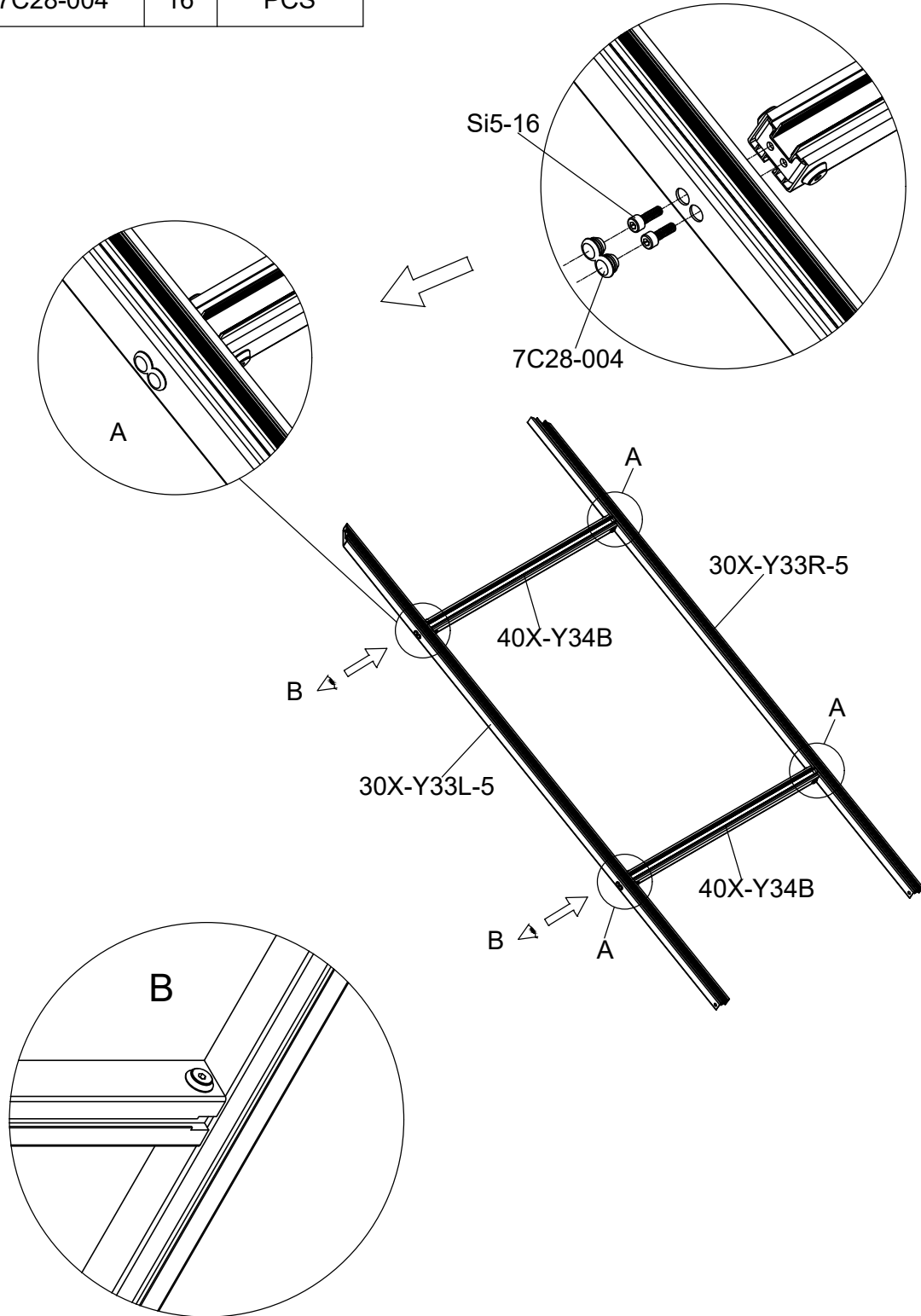









Part	NO.	QTY.	Length(MM)
	30X-Y21-5	3	2702
	Mi8	12	PCS
	S8-12	12	PCS

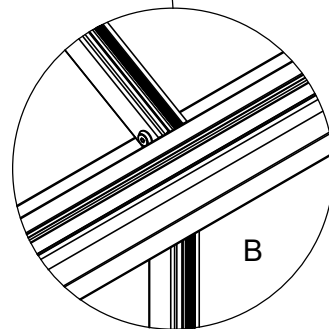
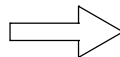
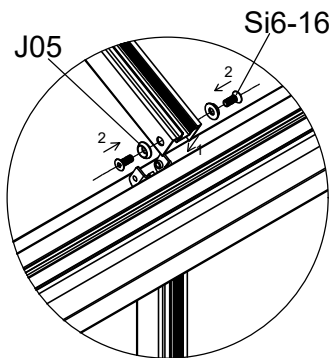
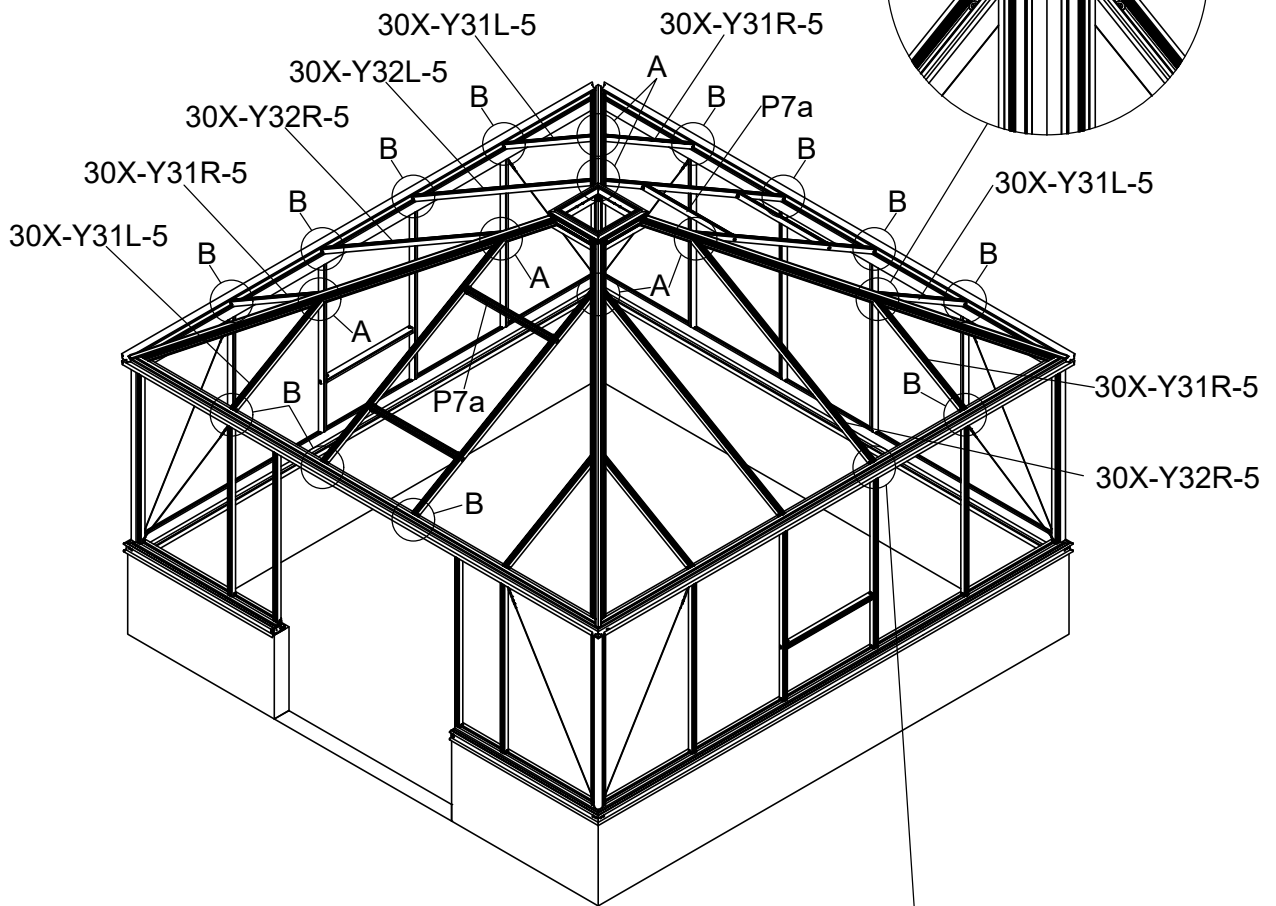
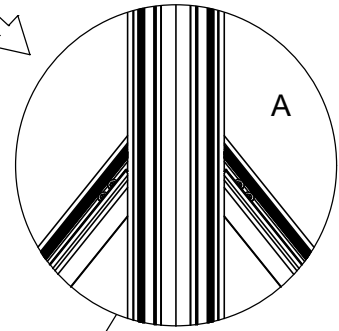
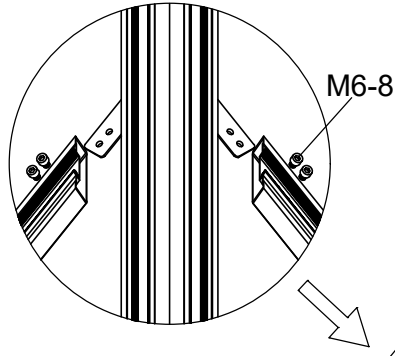




Part	NO.	QTY.	Length(MM)
	30X-Y33R-5	2	1711
	30X-Y33L-5	2	1711
	40X-Y34B	4	713
	Si5-16	16	PCS
	7C28-004	16	PCS

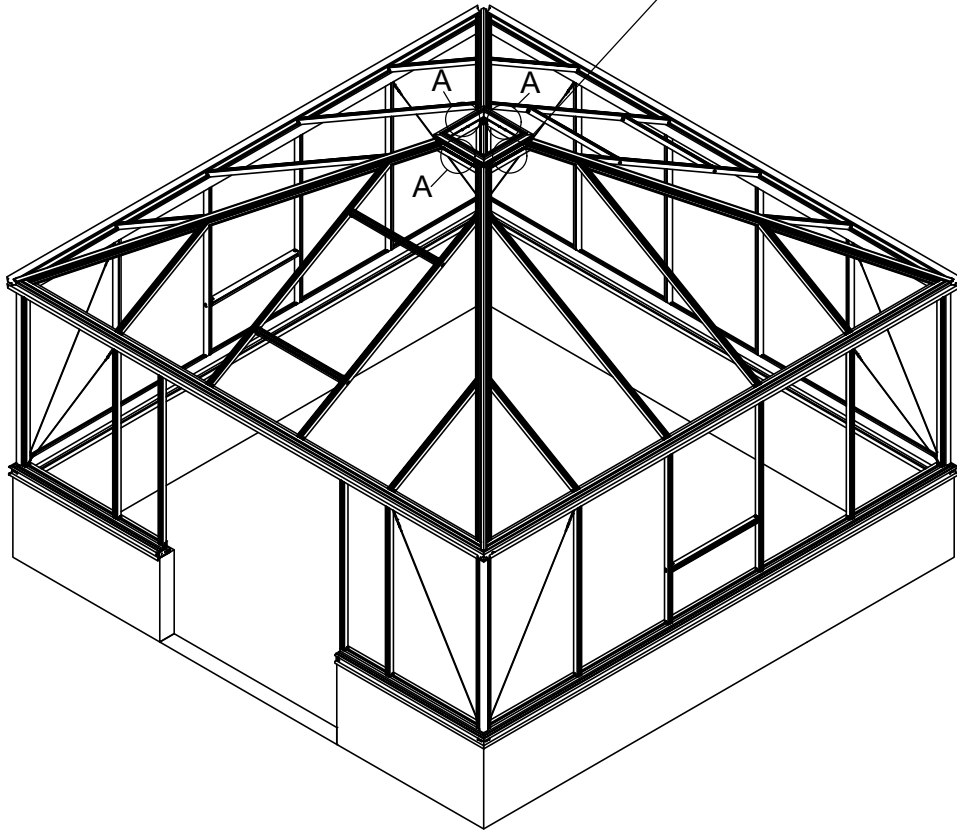
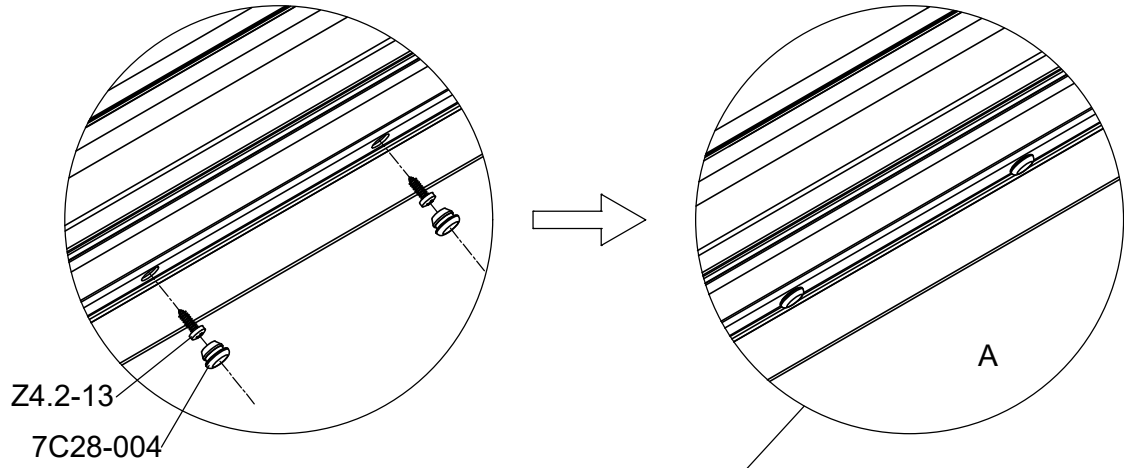
2 PCS

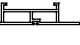









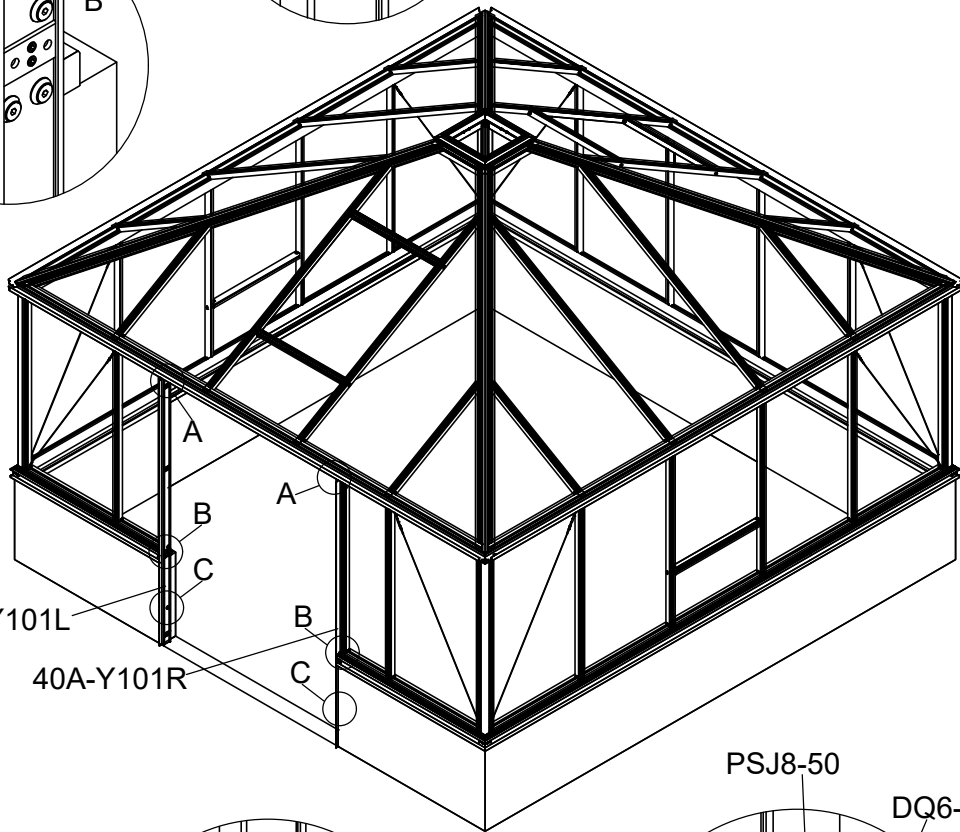
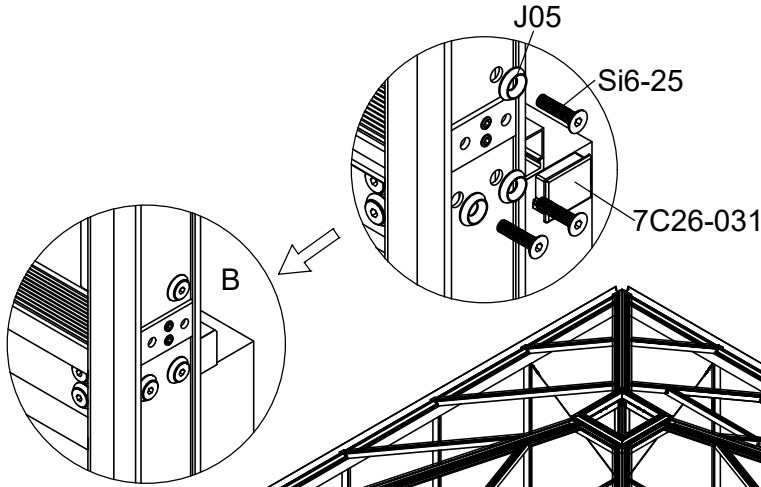
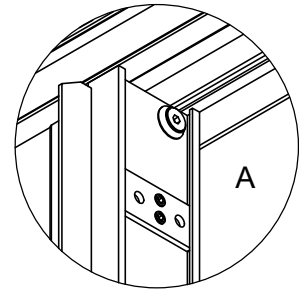
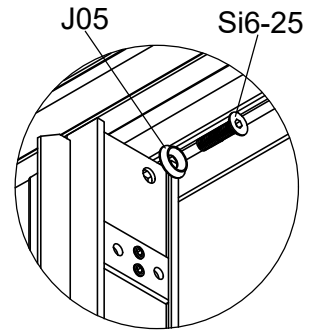
Part	NO.	QTY.	Length(MM)
	30X-Y32R-5	2	1711
	30X-Y32L-5	1	1711
	30X-Y31R-5	3	844
	30X-Y31L-5	3	844
	M6-8	26	PCS
	Si6-16	26	PCS
	J05	26	PCS



Part	NO.	QTY.	Length(MM)
	Z4.2-13	8	PCS
	7C28-004	8	PCS

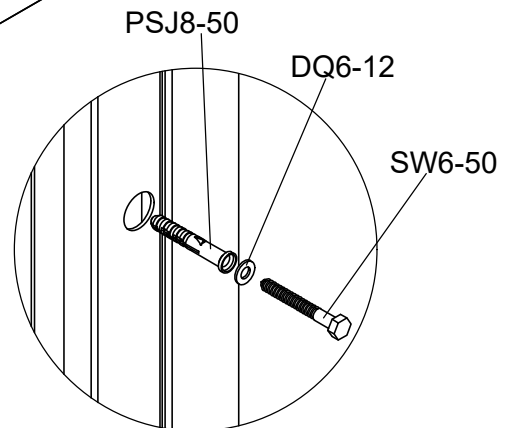
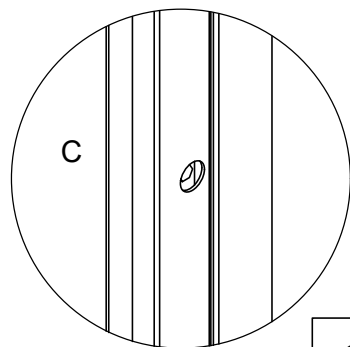


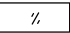
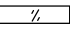
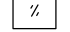
Part	NO.	QTY.	Length(MM)	CTN NO.
	40A-Y101L	1	1910	3040P-HD
	40A-Y101R	1	1910	3040P-HD
	7C26-031	2	PCS	3040P-HD
	Si6-25	8	PCS	3040P-HD
	J05	8	PCS	3040P-HD
	PSJ8-50	2	PCS	3040P-HD
	DQ6-12	2	PCS	3040P-HD
	SW6-50	2	PCS	3040P-HD

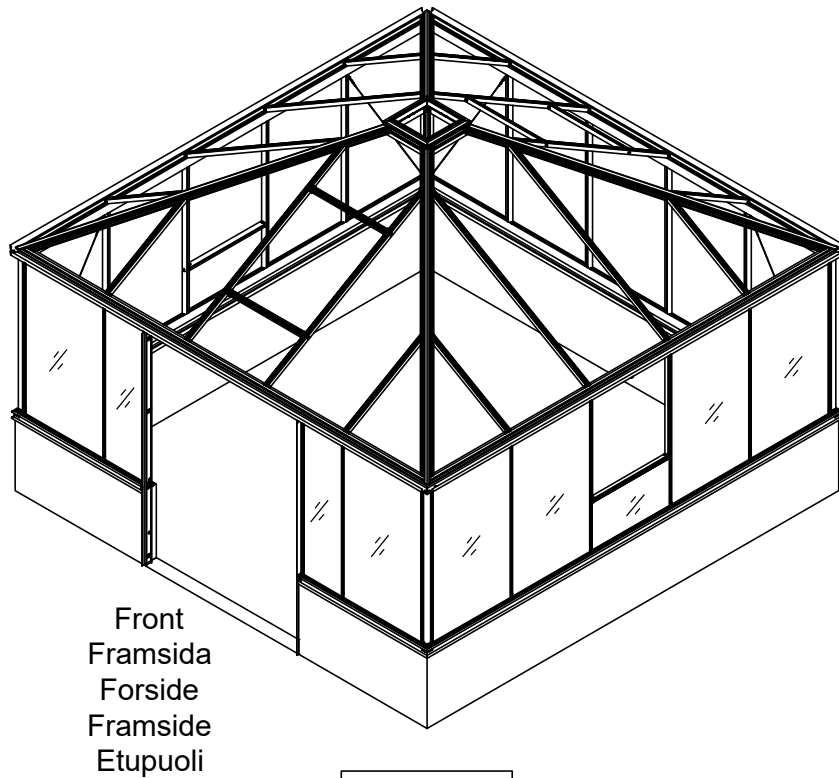
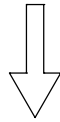
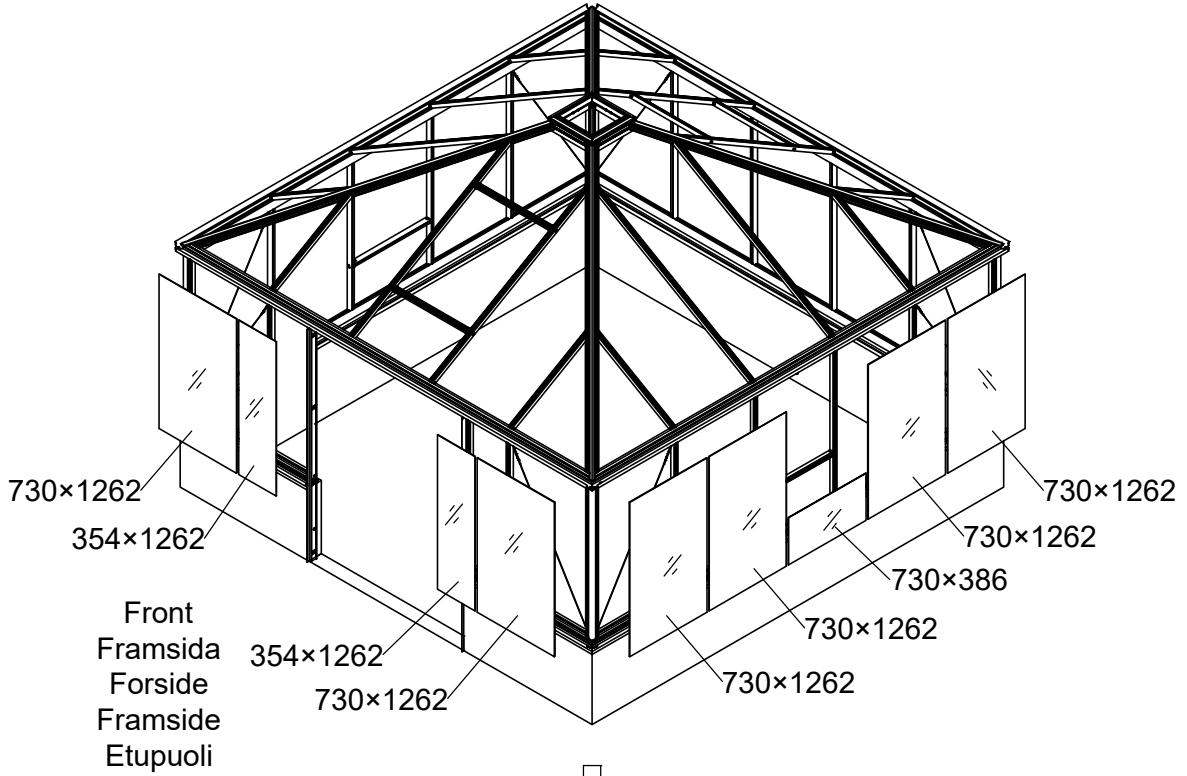


40A-Y101L

40A-Y101R

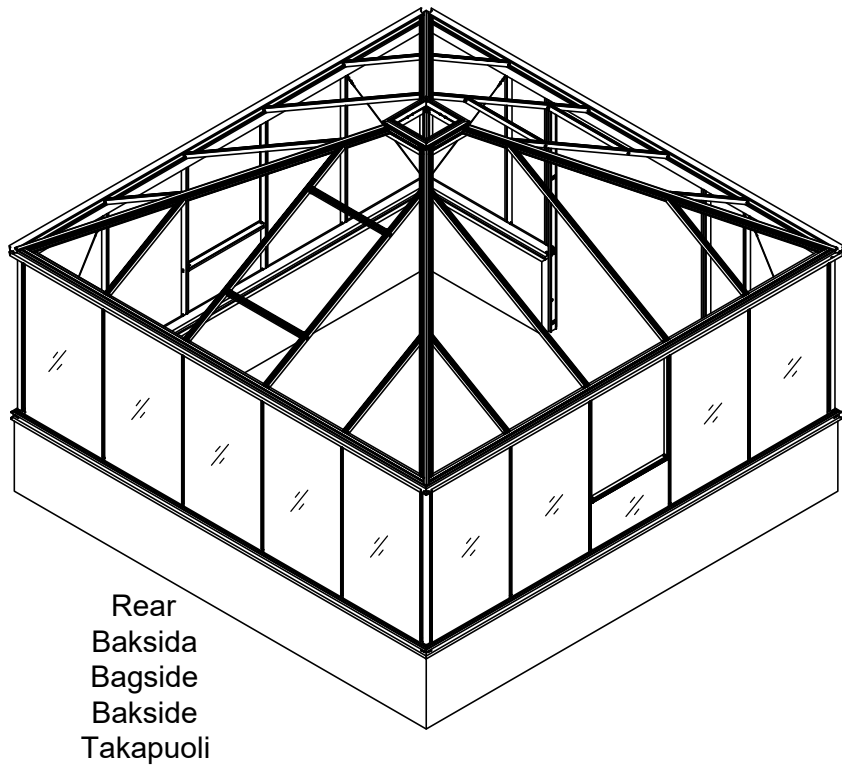
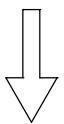
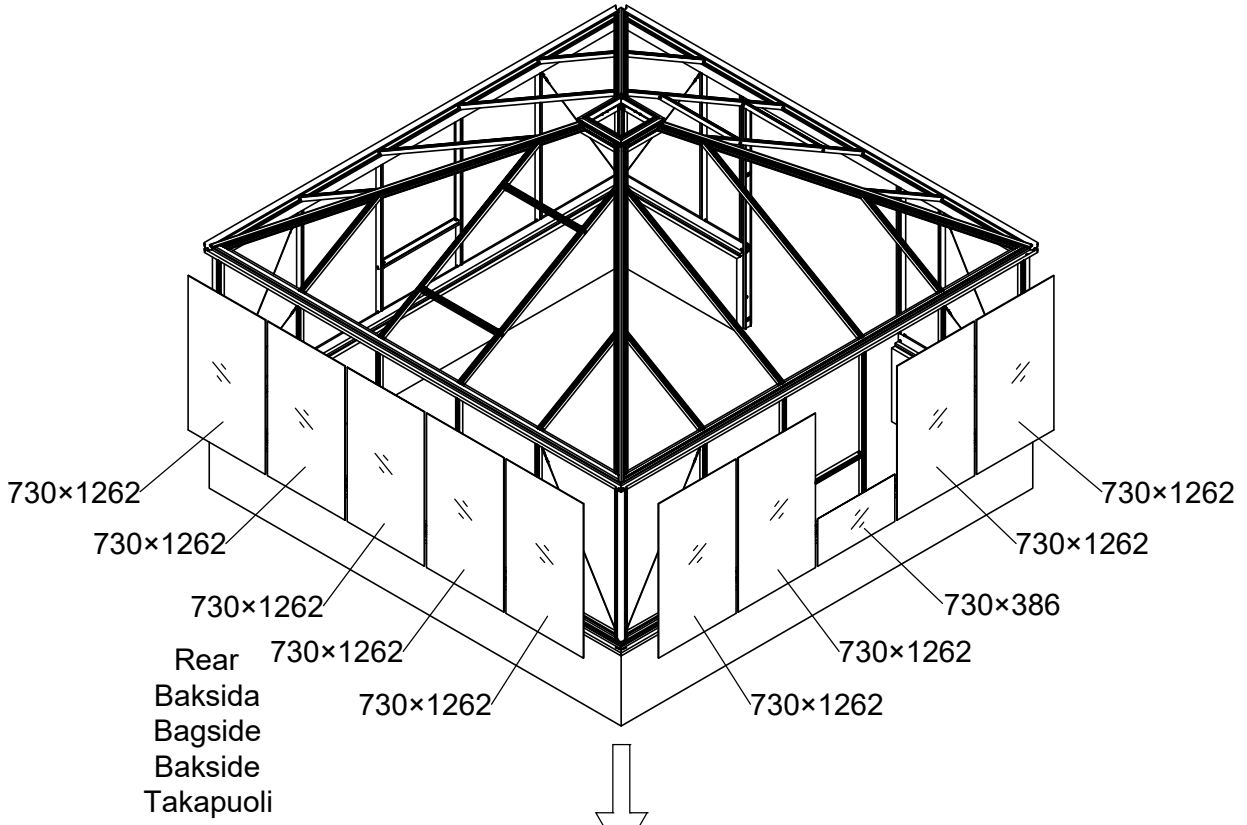


Part	NO.	QTY.	Length(MM)
	730×1262	6	1262
	354×1262	2	1262
	730×386	1	730







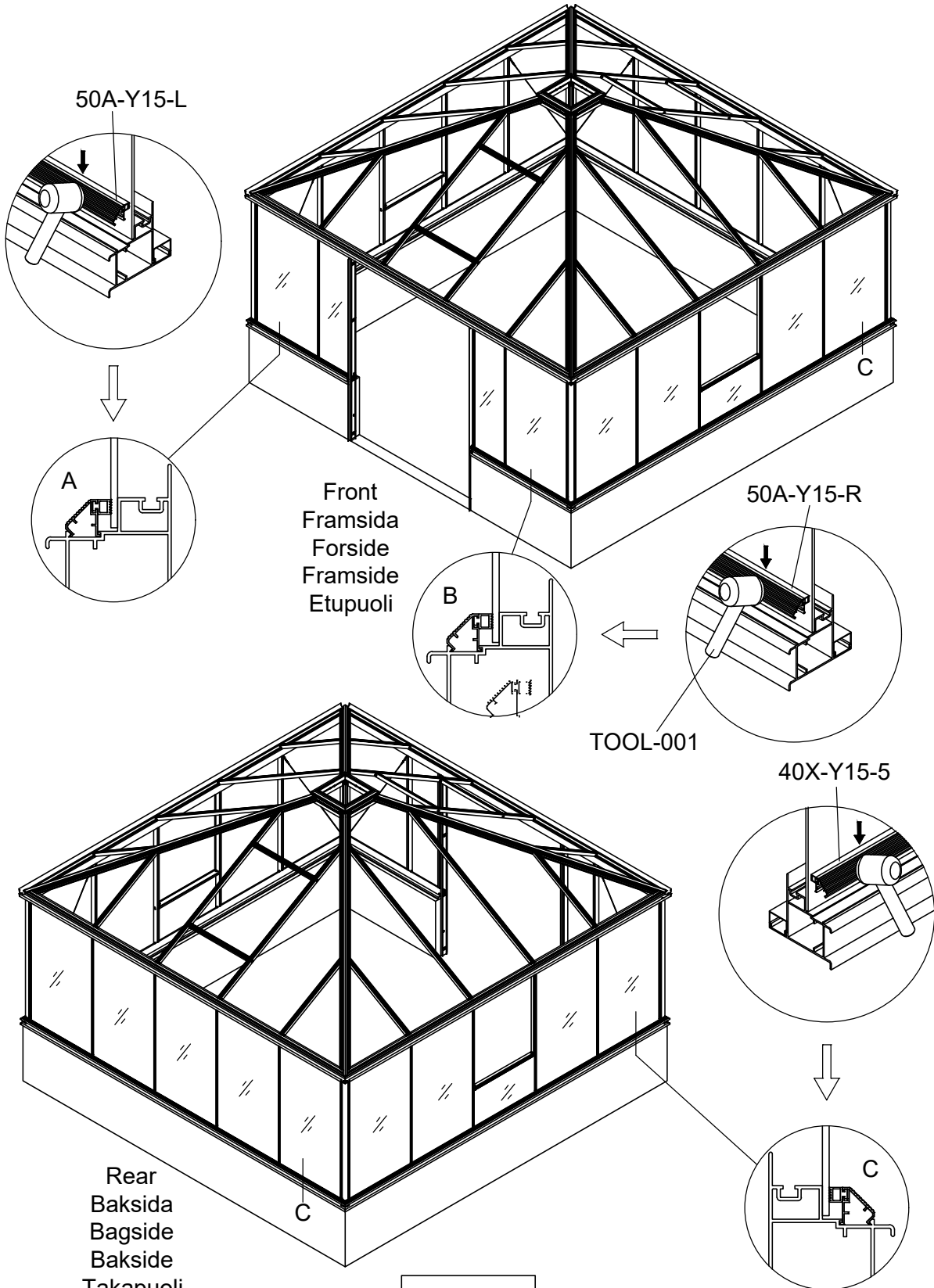
8b/30

Part	NO.	QTY.	Length(MM)
☒	730×1262	9	1262
☒	730×386	1	730

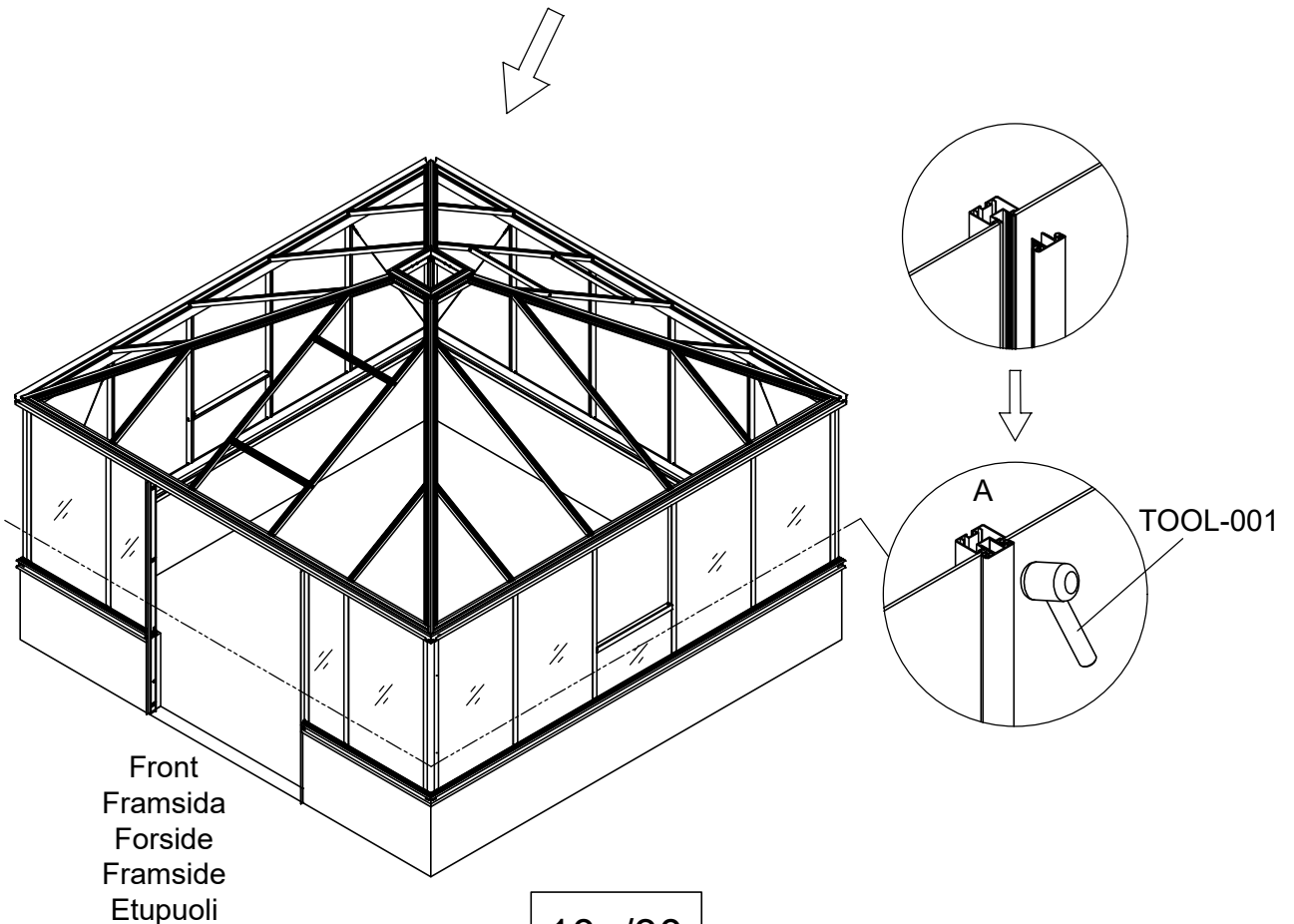
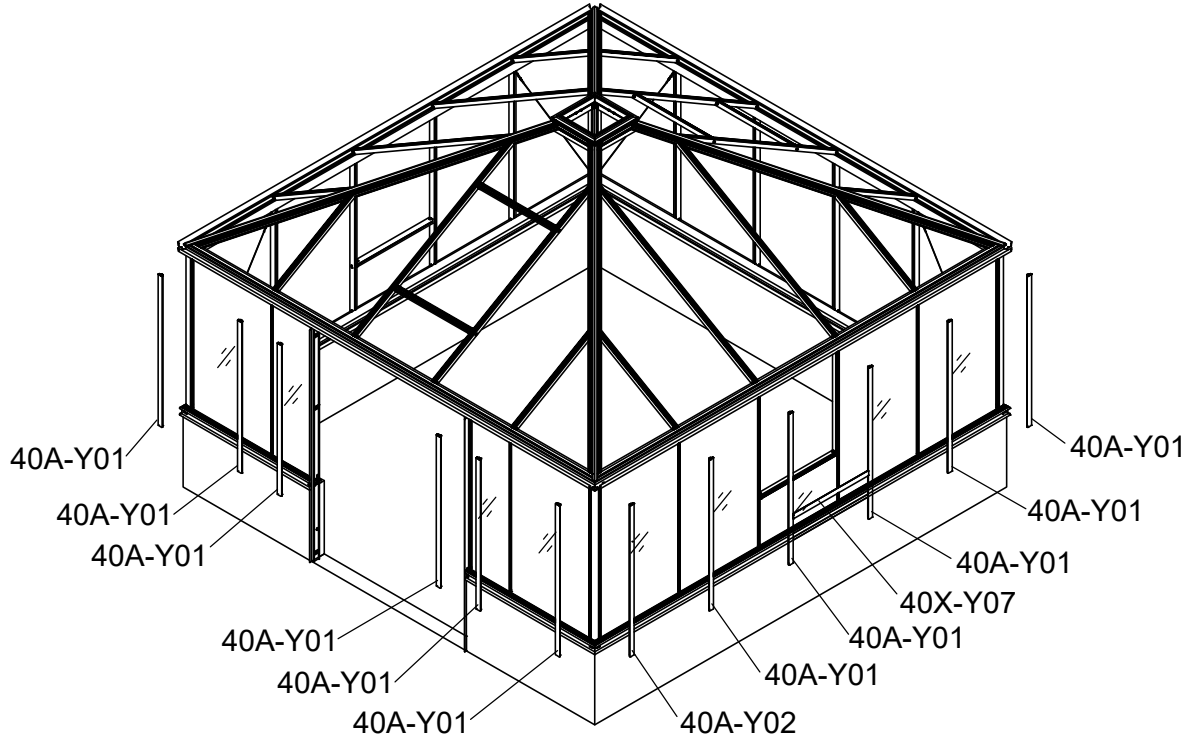


8c/30

Part	NO.	QTY.	Length(MM)	CTN NO.
	40X-Y15-5	2	3900	3033P-S-BASE5
	40X-Y15-5	1	3900	3033P-S-5F
	50A-Y15-R	1	1218	3043PA-S-5
	50A-Y15-L	1	1218	3043PA-S-5

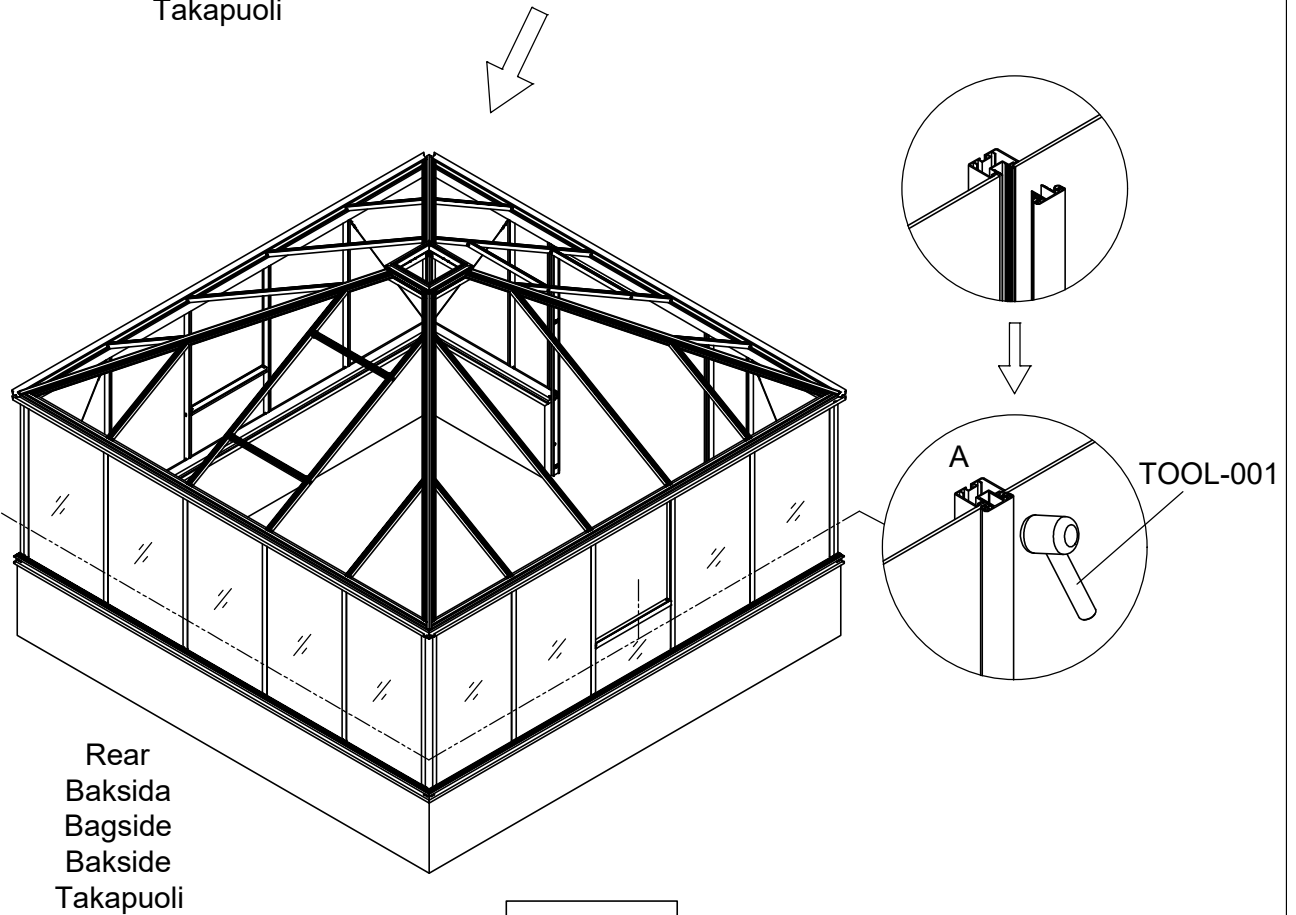
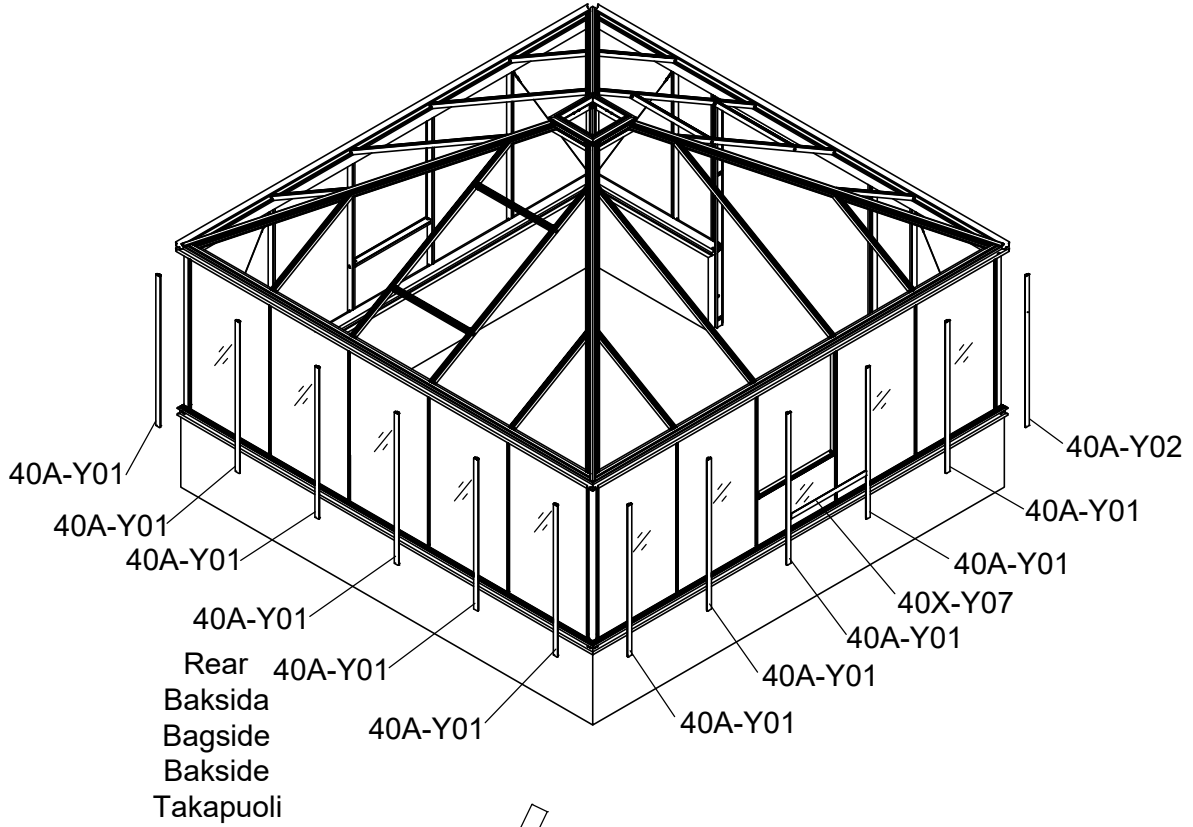



Part	NO.	QTY.	Length(MM)
ባጥ	40A-Y01	11	1235
ባጥ	40A-Y02	1	1235
ባጥ	40X-Y07	1	712

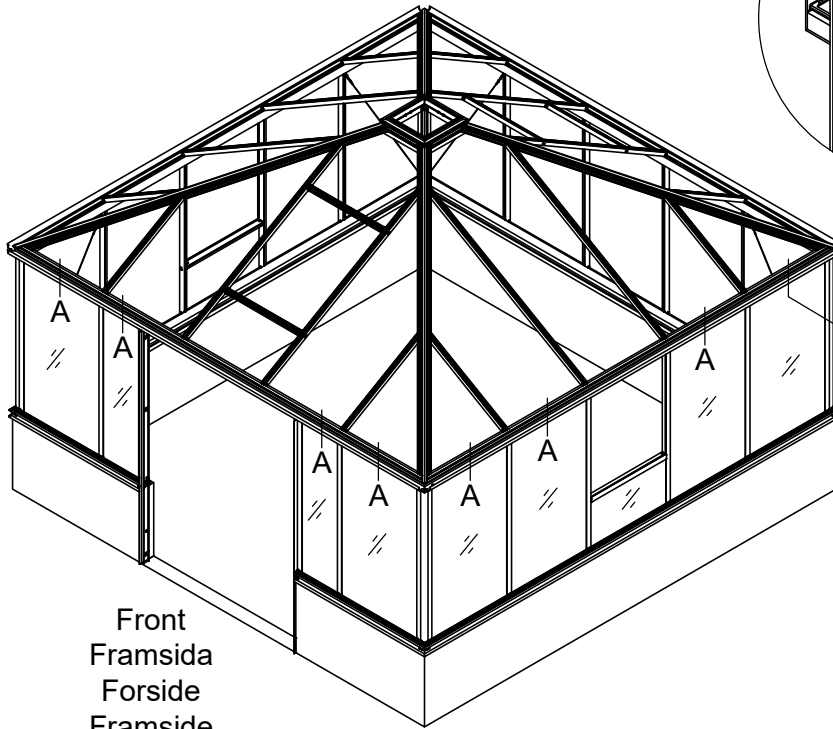


10a/30

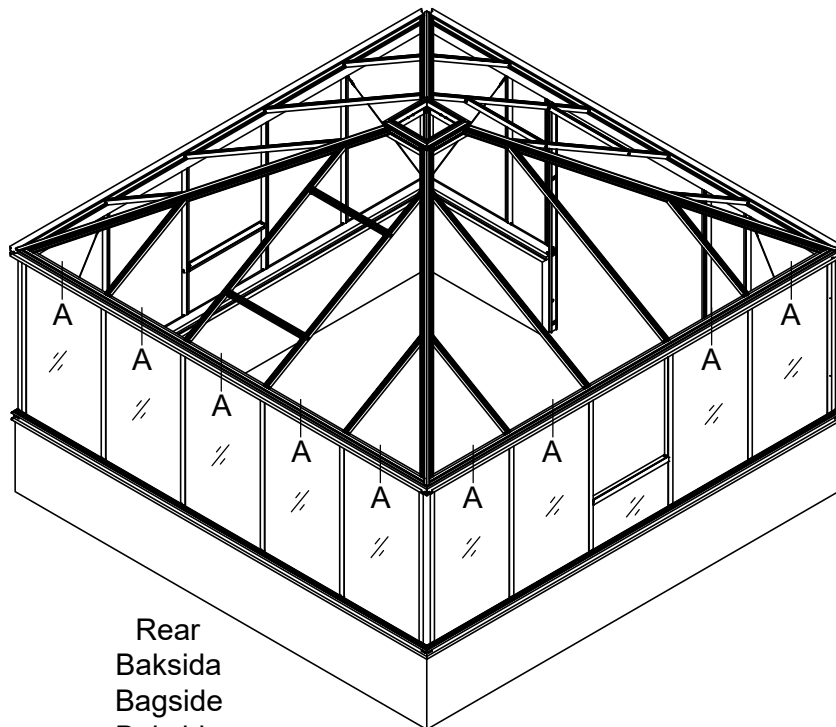
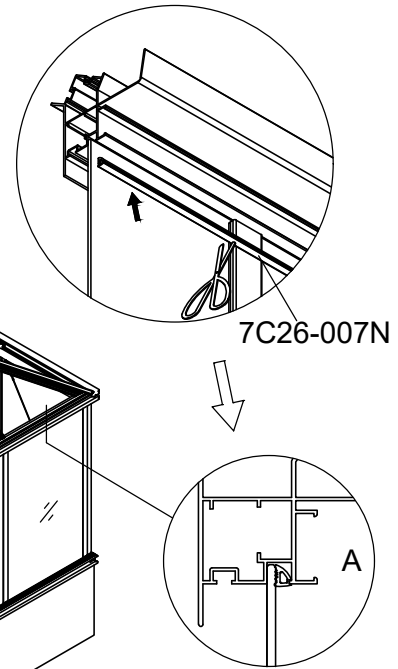
Part	NO.	QTY.	Length(MM)
काद	40A-Y01	11	1235
काद	40A-Y02	1	1235
काद	40X-Y07	1	712




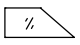
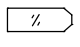

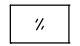
Part	NO.	QTY.	Length(MM)
	7C26-007N	13M	

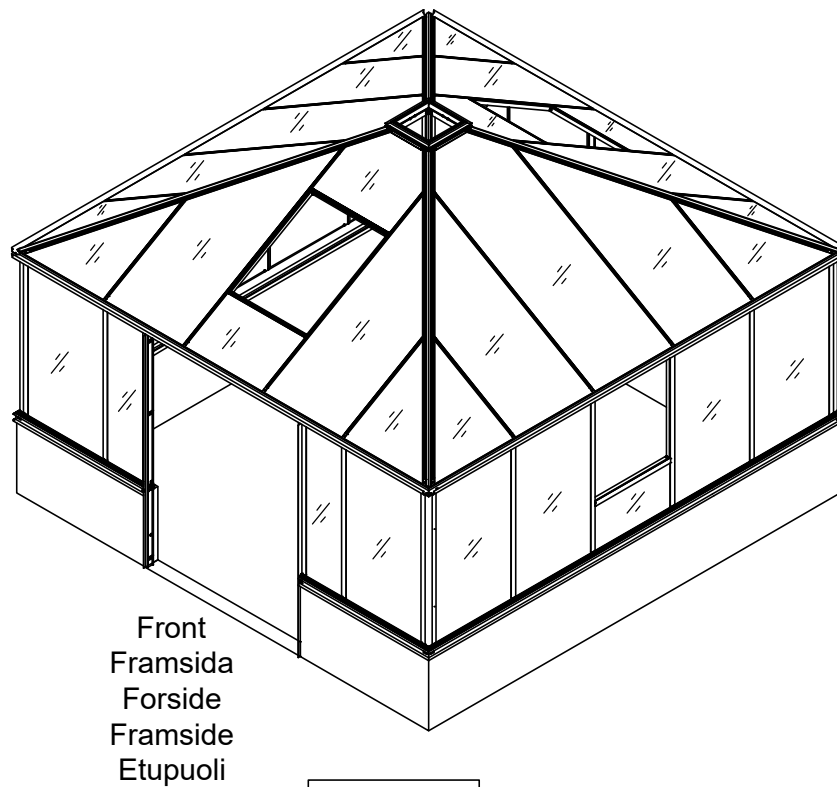
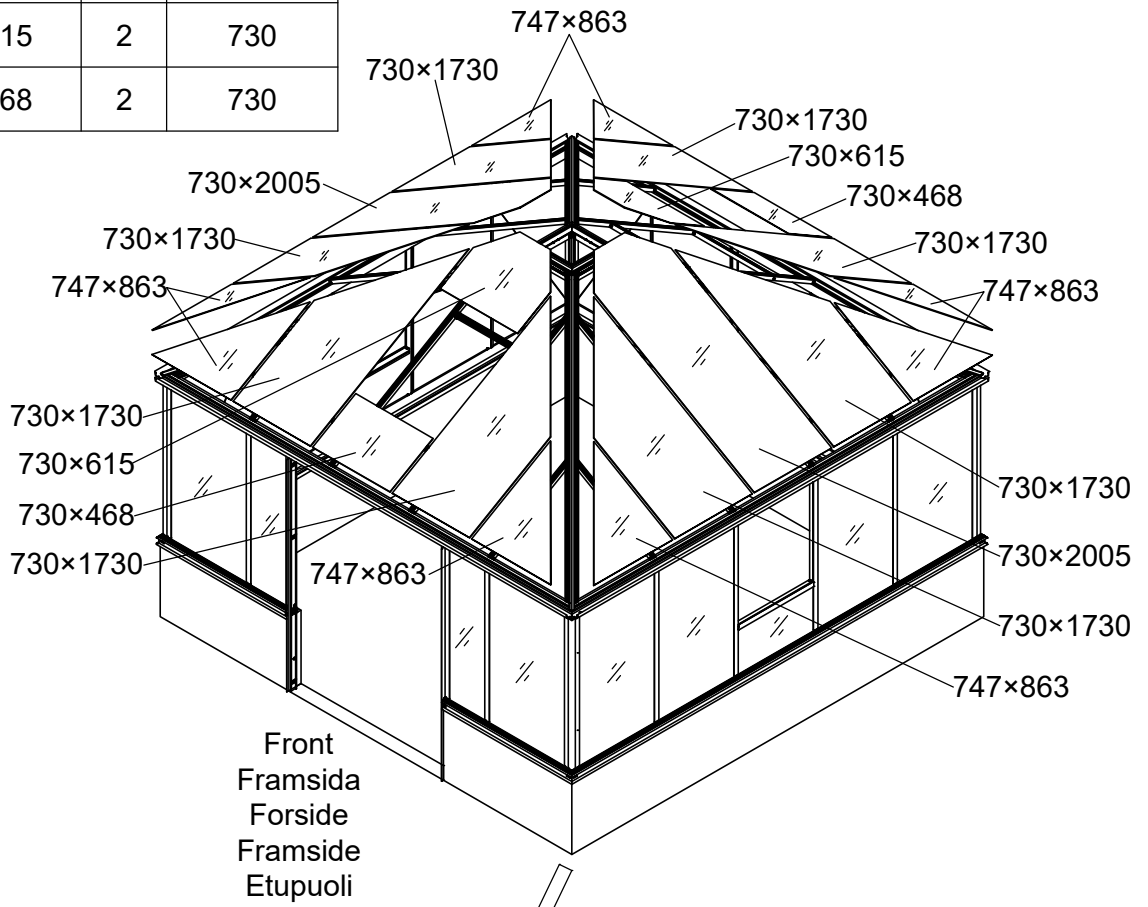


Front
Framsida
Forside
Framsida
Etuapuoli

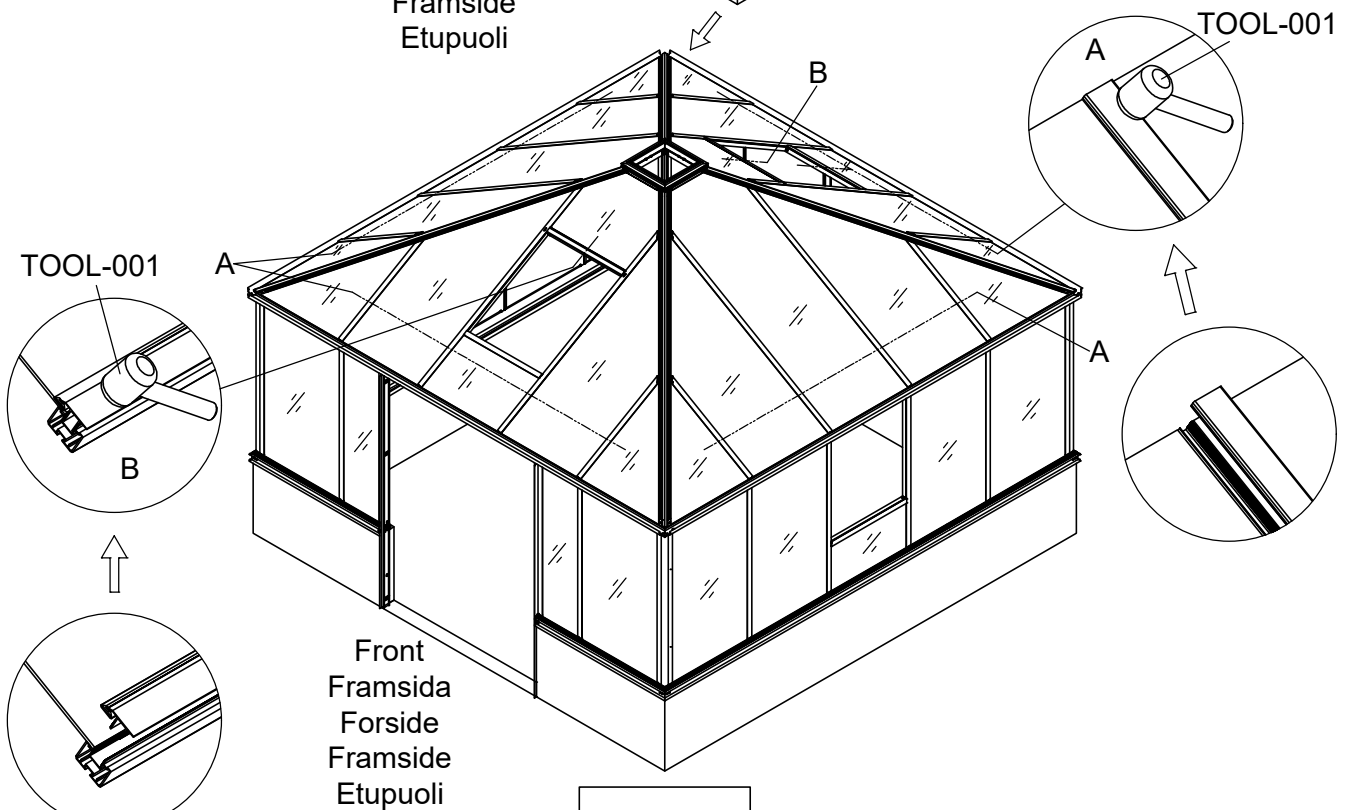
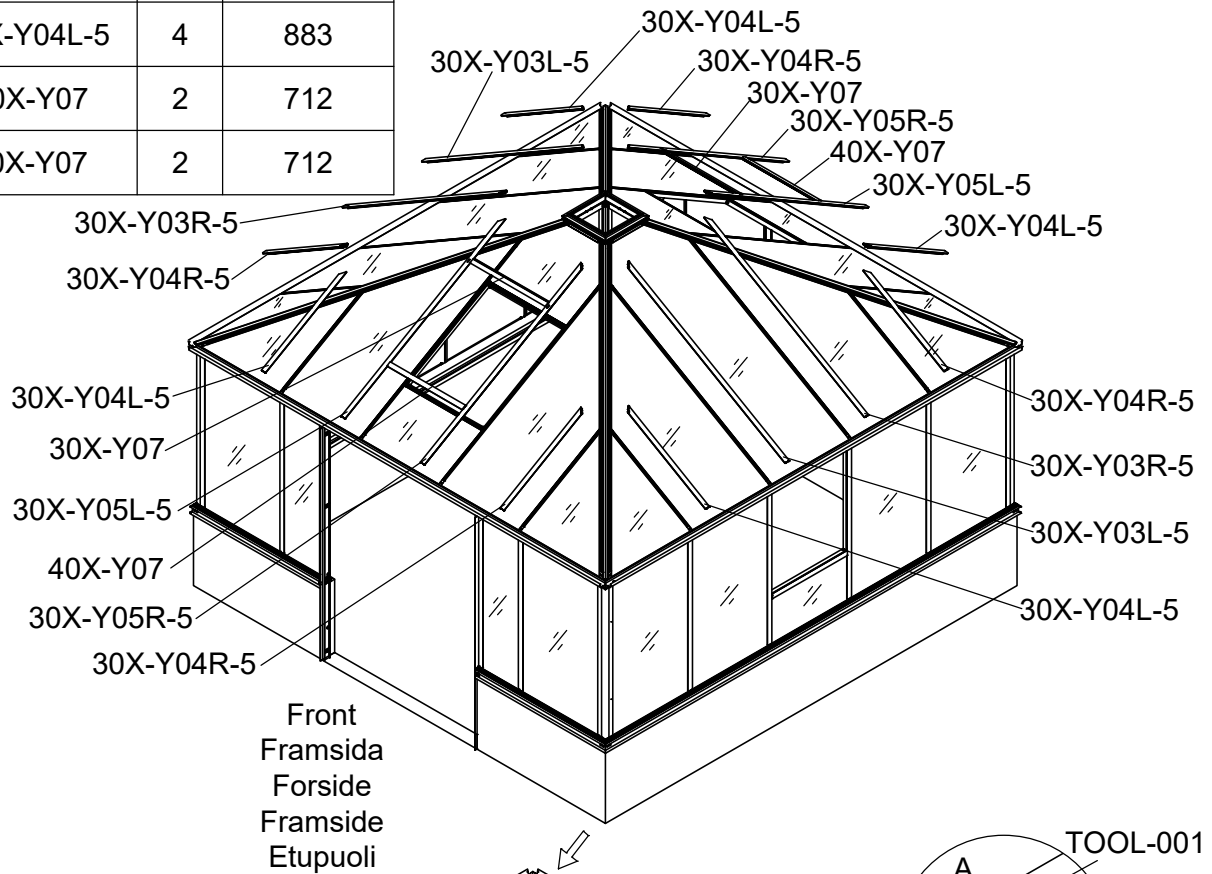


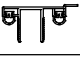
Rear
Baksida
Bagside
Baksida
Takapuoli

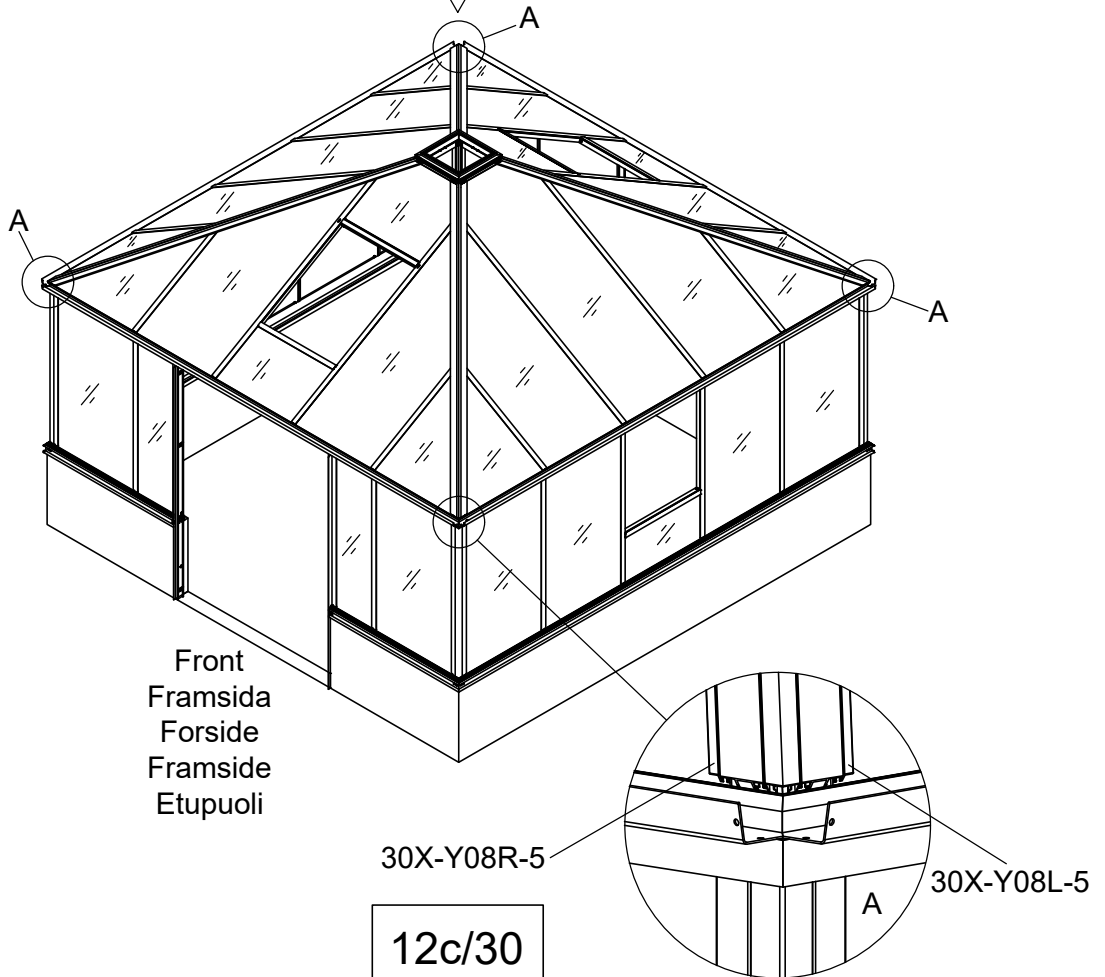
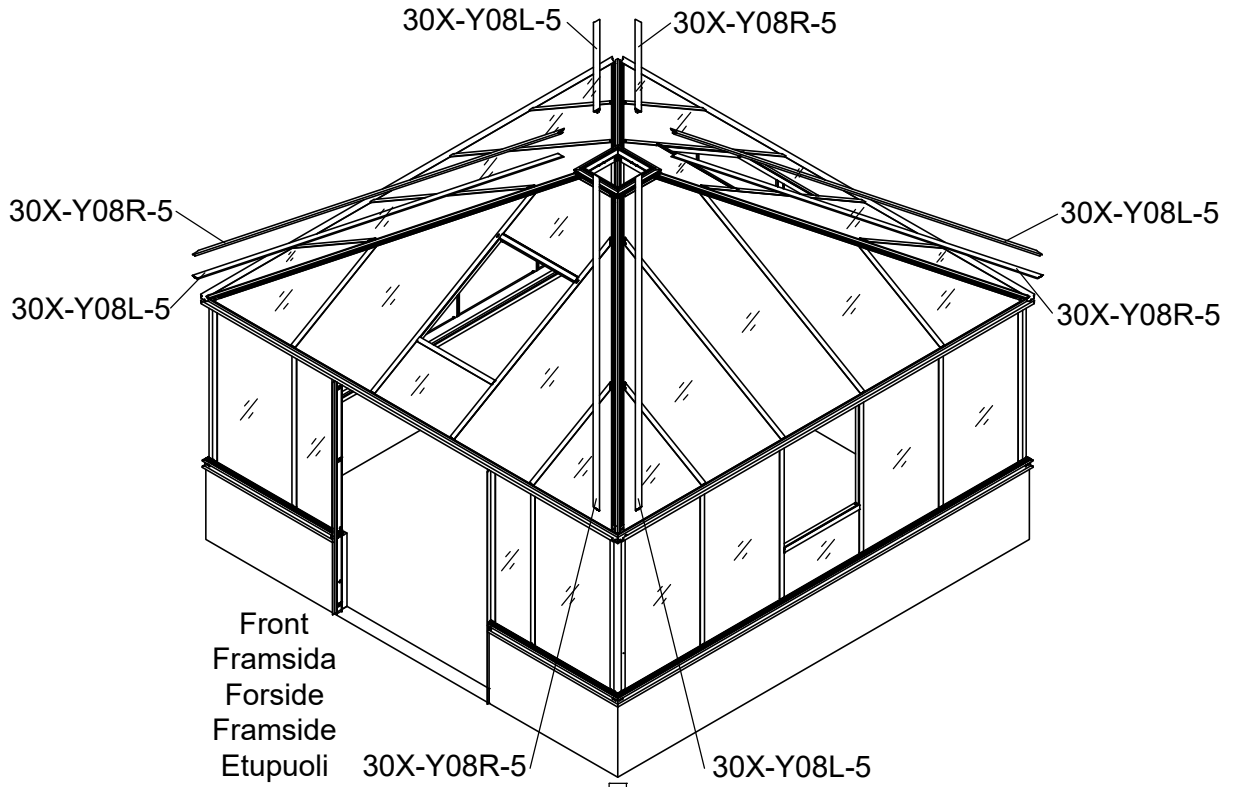
Part	NO.	QTY.	Length(MM)
	747×863	8	863
	730×1730	8	1730
	730×2005	2	2005
	730×615	2	730
	730×468	2	730



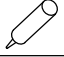

Part	NO.	QTY.	Length(MM)
𑂔𑂗𑂢	30X-Y03R-5	2	1750
𑂔𑂗𑂢	30X-Y03L-5	2	1750
𑂔𑂗𑂢	30X-Y05R-5	2	1750
𑂔𑂗𑂢	30X-Y05L-5	2	1750
𑂔𑂗𑂢	30X-Y04R-5	4	883
𑂔𑂗𑂢	30X-Y04L-5	4	883
𑂔𑂗𑂢	40X-Y07	2	712
𑂔𑂗𑂢	30X-Y07	2	712

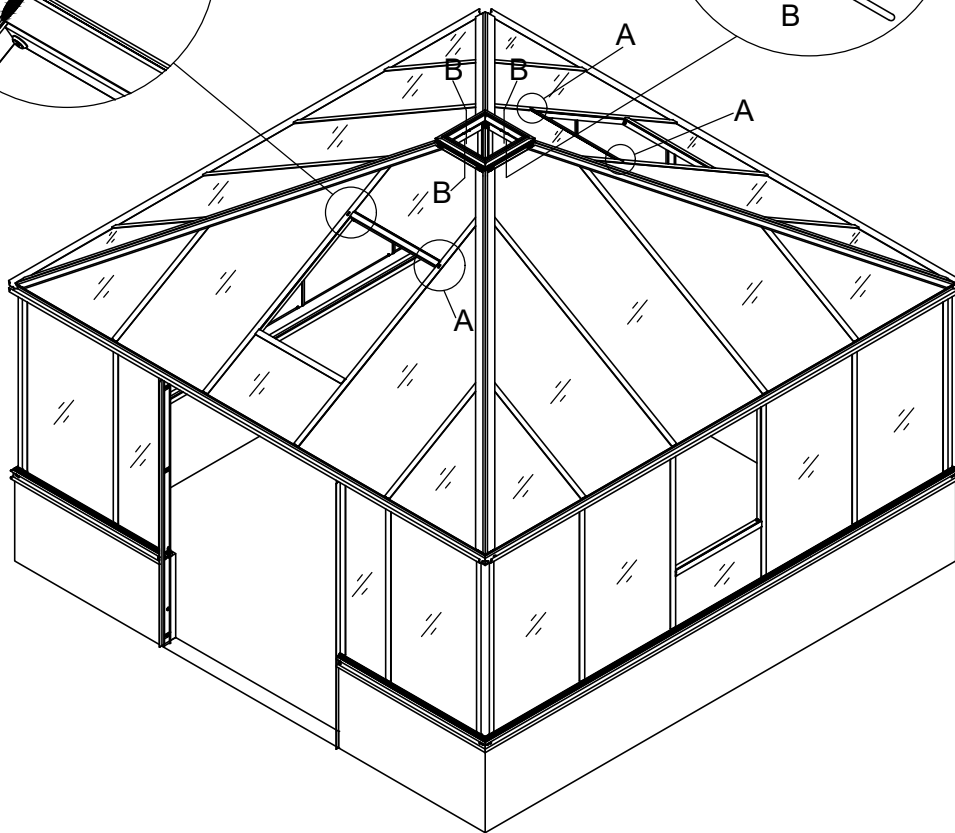
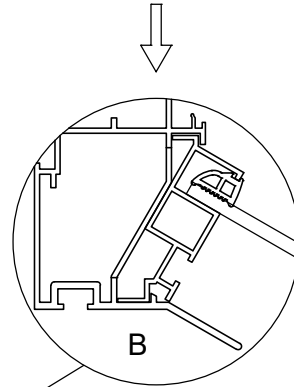
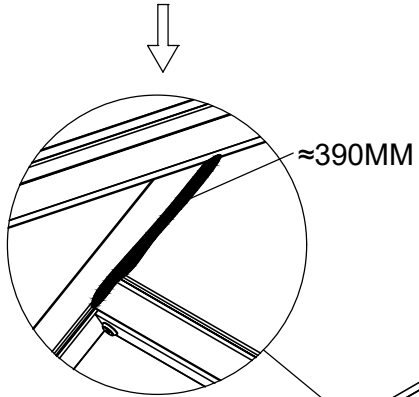
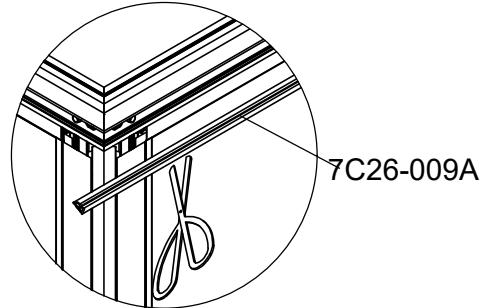
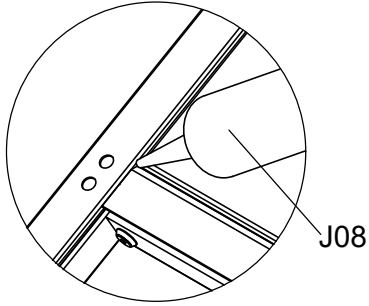



Part	NO.	QTY.	Length(MM)
	30X-Y08R-5	4	2673
	30X-Y08L-5	4	2673

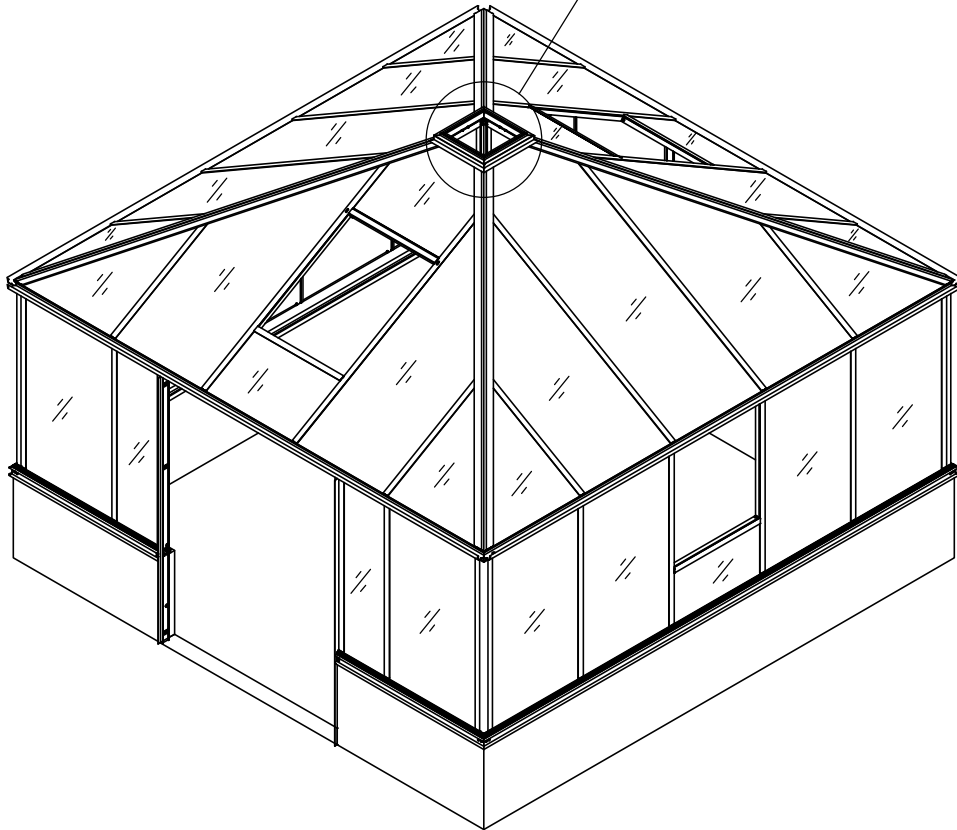
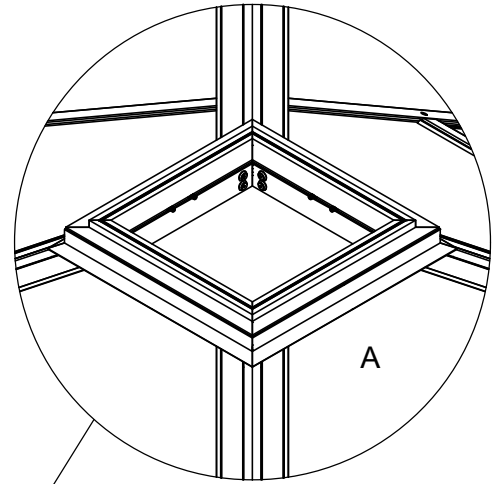
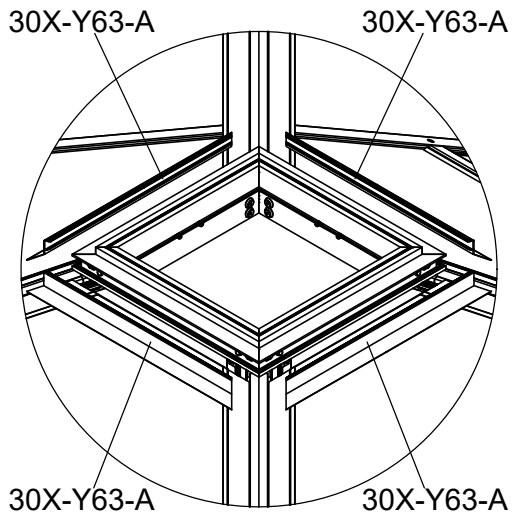






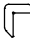
12c/30

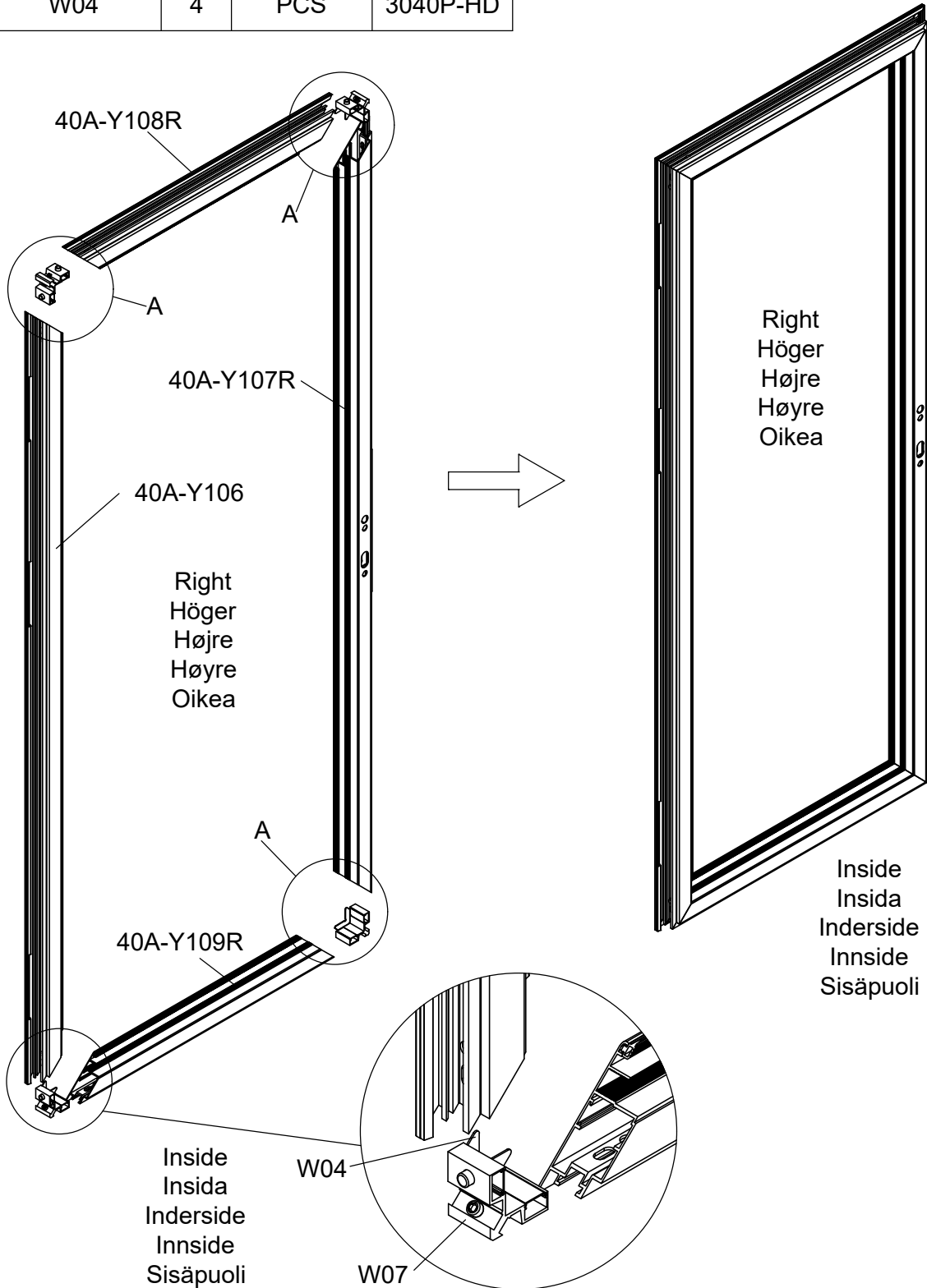
Part	NO.	QTY.	Length(MM)
	J08	1	PCS
	7C26-009A	1.2M	


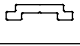
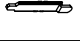


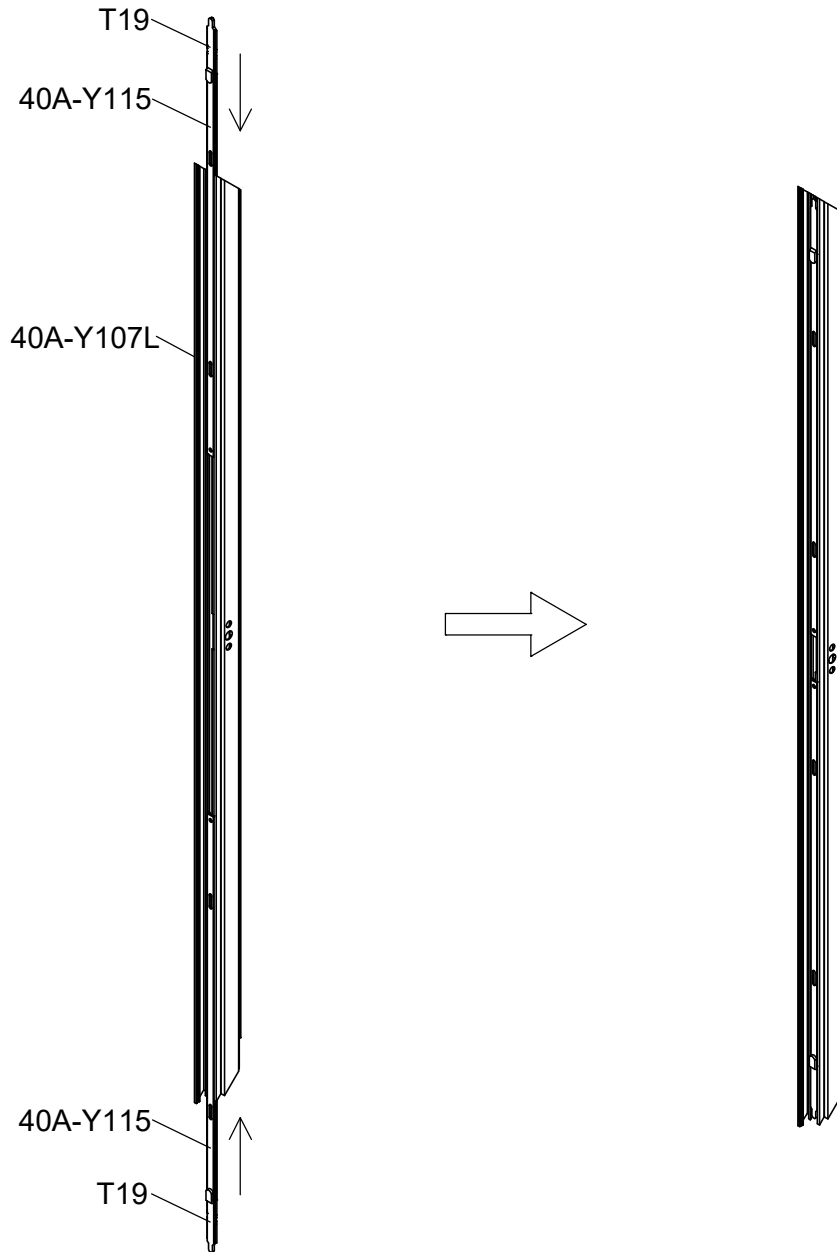
Part	NO.	QTY.	Length(MM)
	30X-Y63-A	4	452




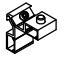



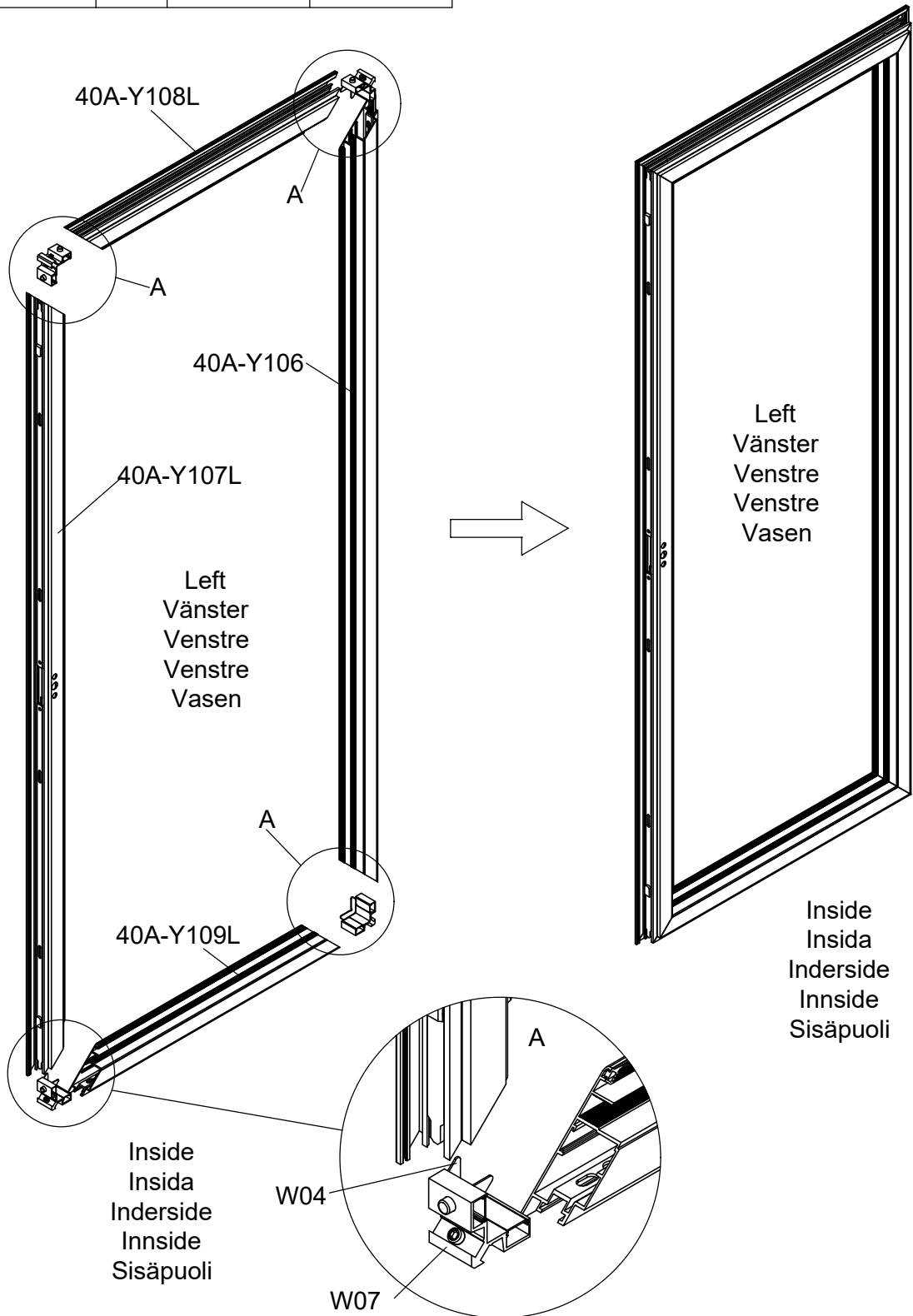
Part	NO.	QTY.	Length(MM)	CTN NO.
	40A-Y108R	1	693	3040P-HD
	40A-Y106	1	1872	3040P-HD
	40A-Y107R	1	1872	3040P-HD
	40A-Y109R	1	693	3040P-HD
	W07	4	37	3040P-HD
	W04	4	PCS	3040P-HD





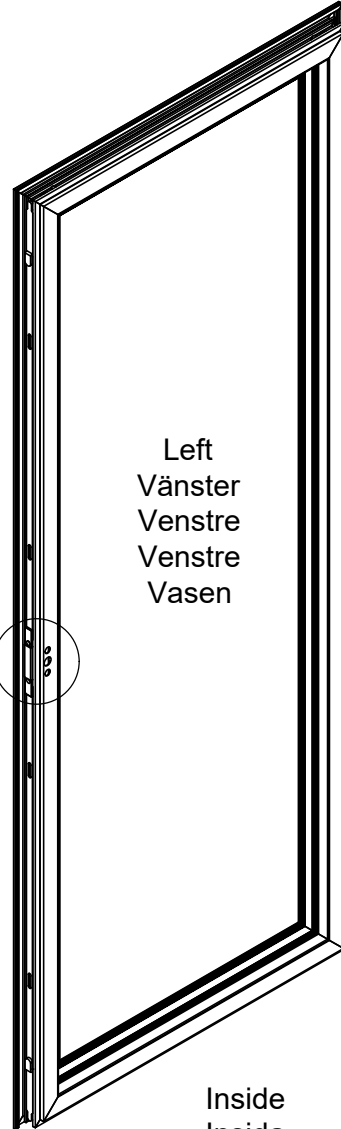
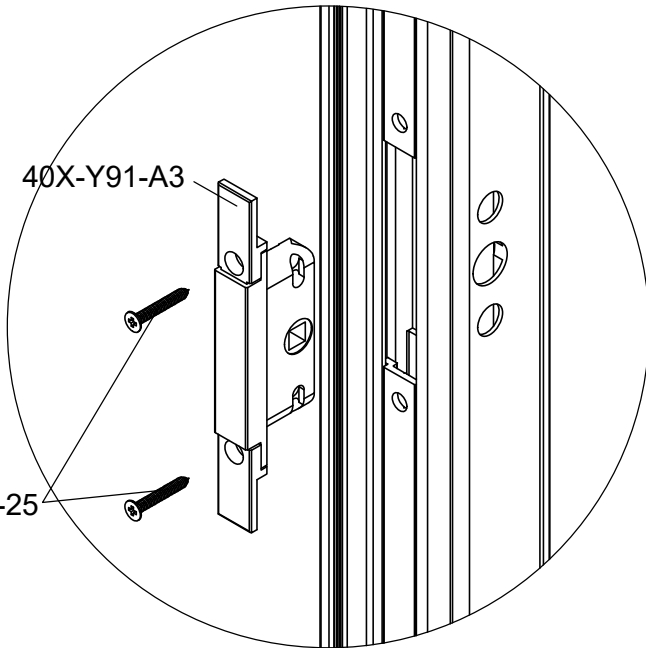
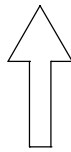
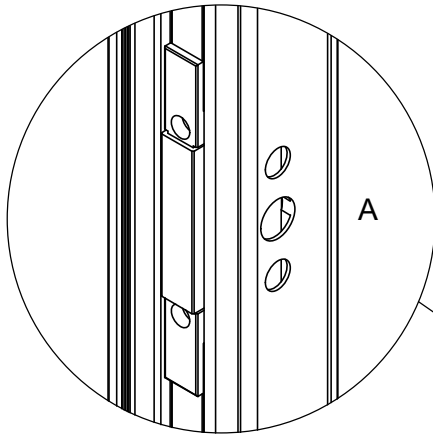
Part	NO.	QTY.	Length(MM)	CTN NO.
	40A-Y107L	1	1872	3040P-HD
	40A-Y115	2	766	3040P-HD
	T19	2	PCS	3040P-HD



Part	NO.	QTY.	Length(MM)	CTN NO.
	40A-Y108L	1	693	3040P-HD
	40A-Y106	1	1872	3040P-HD
	40A-Y109L	1	693	3040P-HD
	W07	4	37	3040P-HD
	W04	4	PCS	3040P-HD



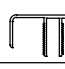
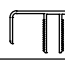
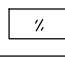


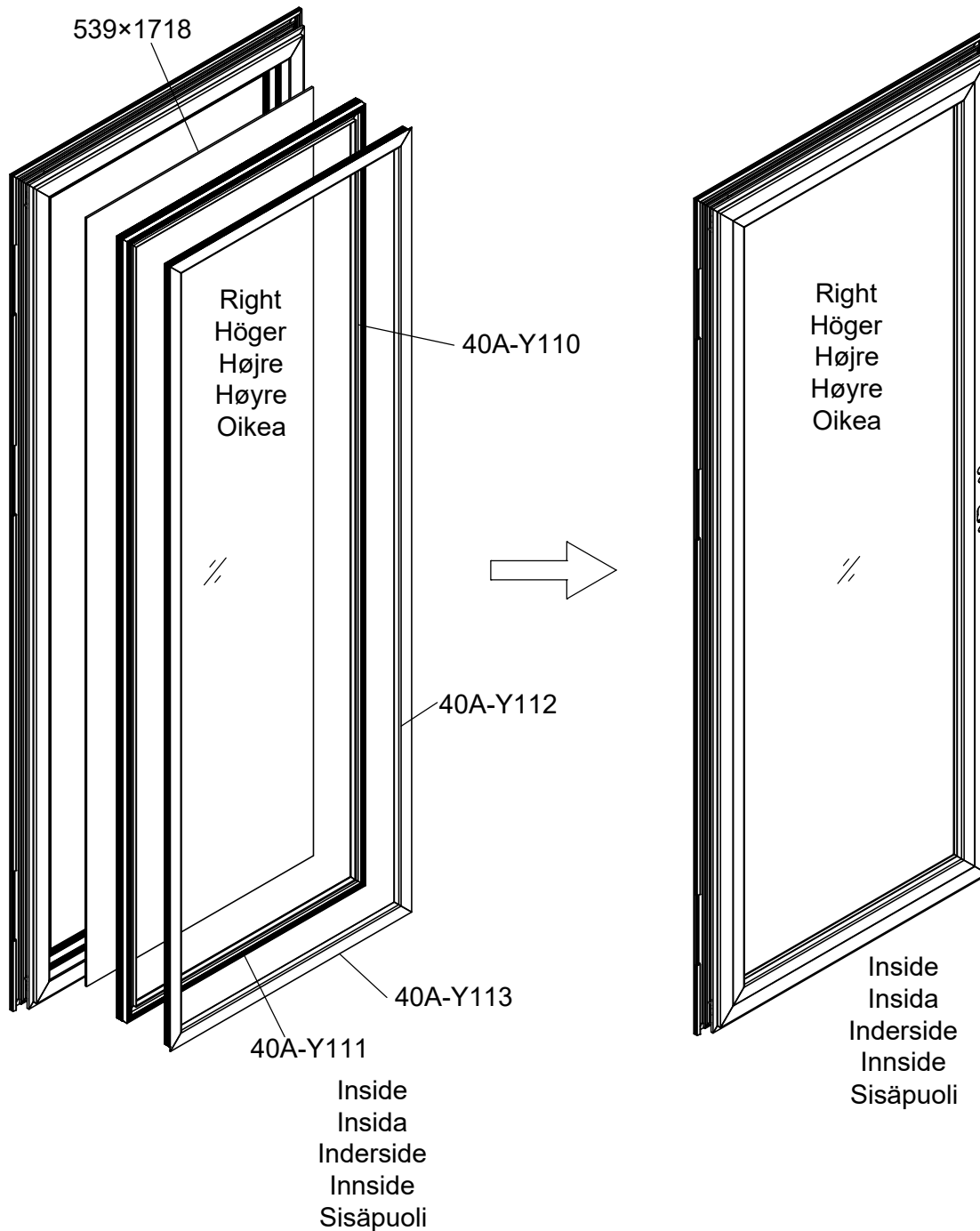
Part	NO.	QTY.	Length(MM)	CTN NO.
	40X-Y91-A3	1	PCS	3040P-HD
	Z3.5-25	2	PCS	3040P-HD



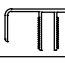
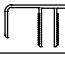
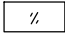


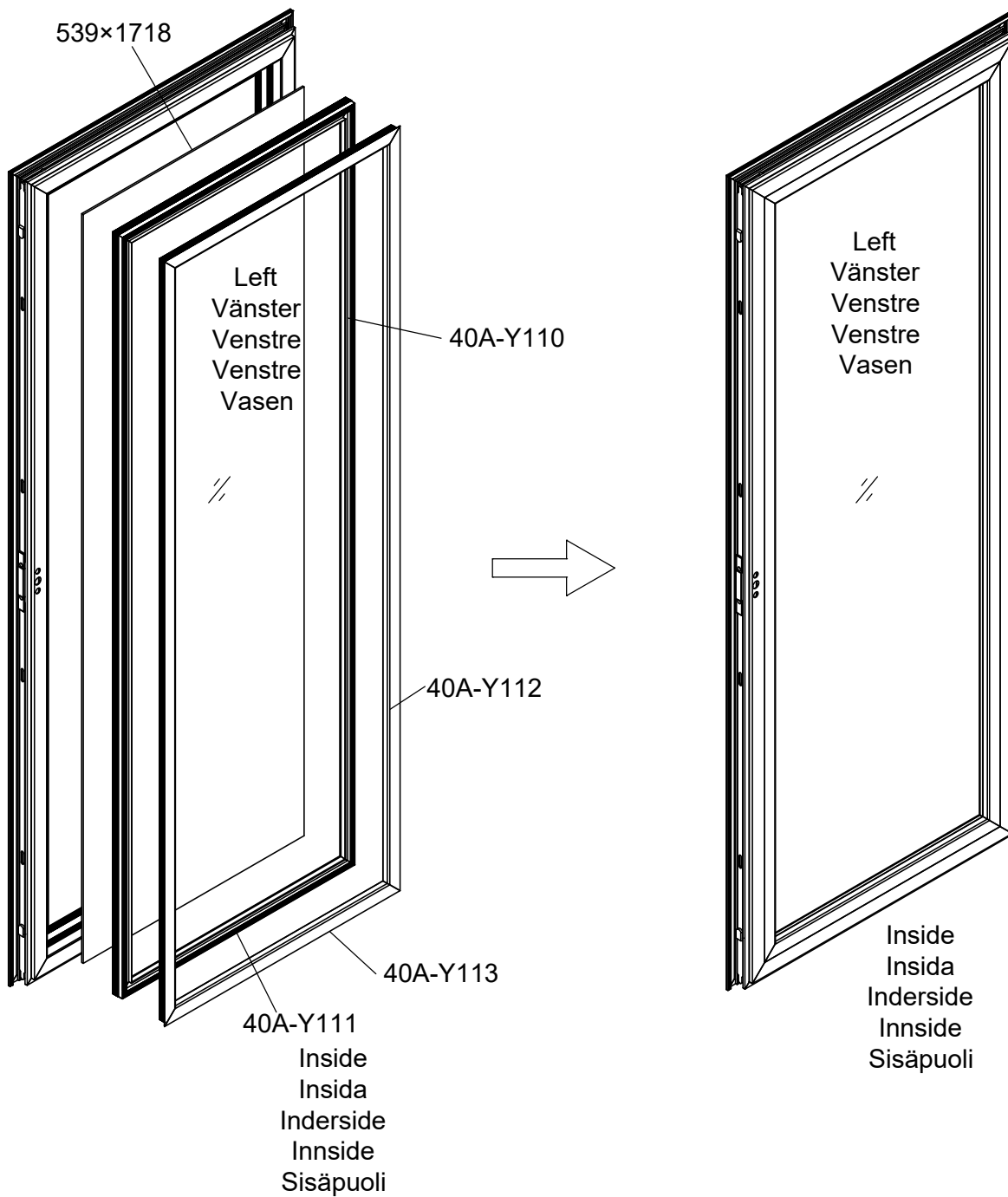
Left
Vänster
Venstre
Venstre
Vasen




Inside
Insida
Inderside
Inside
Sisäpuoli

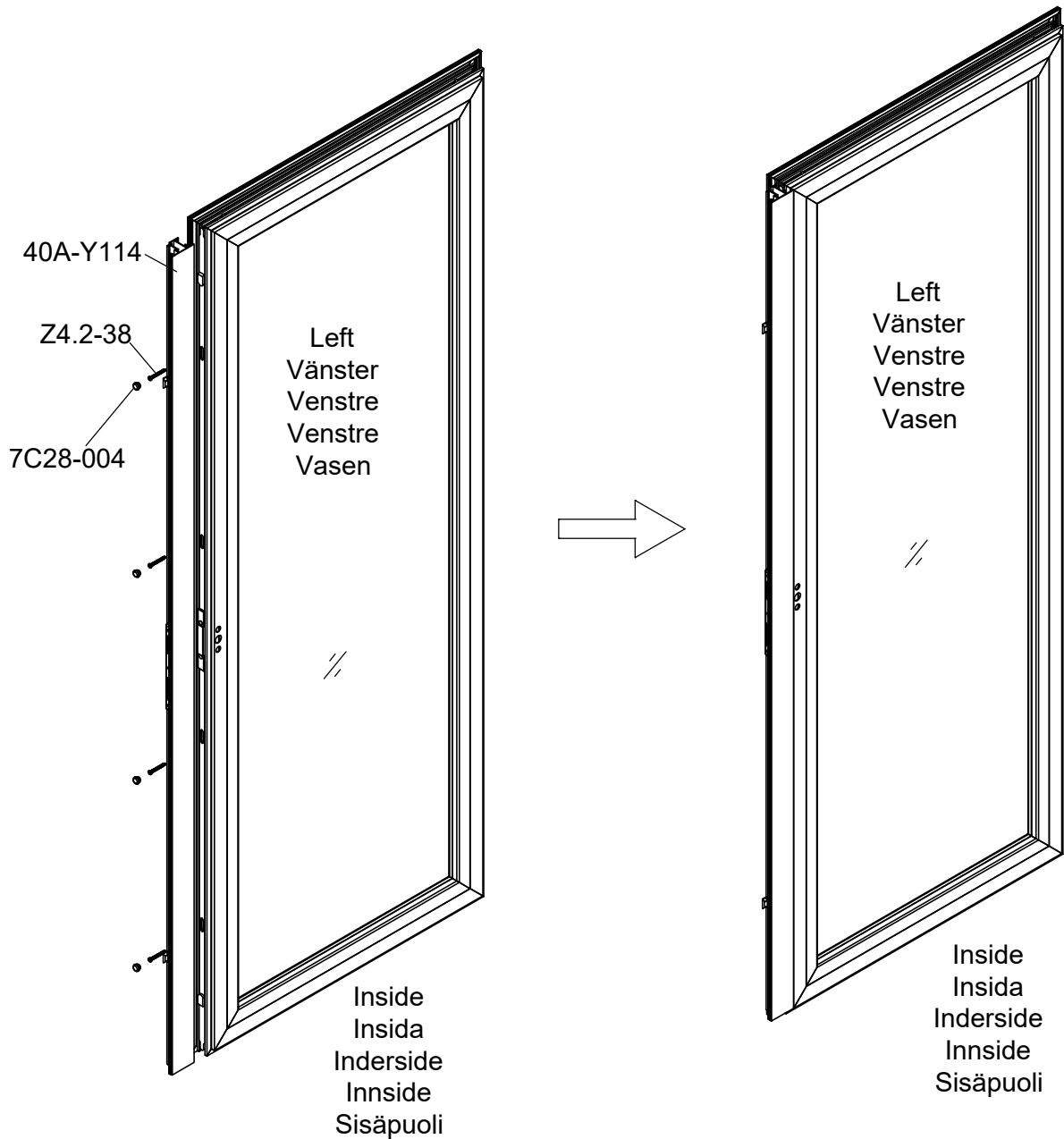
Part	NO.	QTY.	Length(MM)	CTN NO.
	40A-Y110	2	1748	3040P-HD
	40A-Y111	2	569	3040P-HD
	40A-Y112	2	1754	3040P-HD
	40A-Y113	2	576	3040P-HD
	539x1718	1	1718	





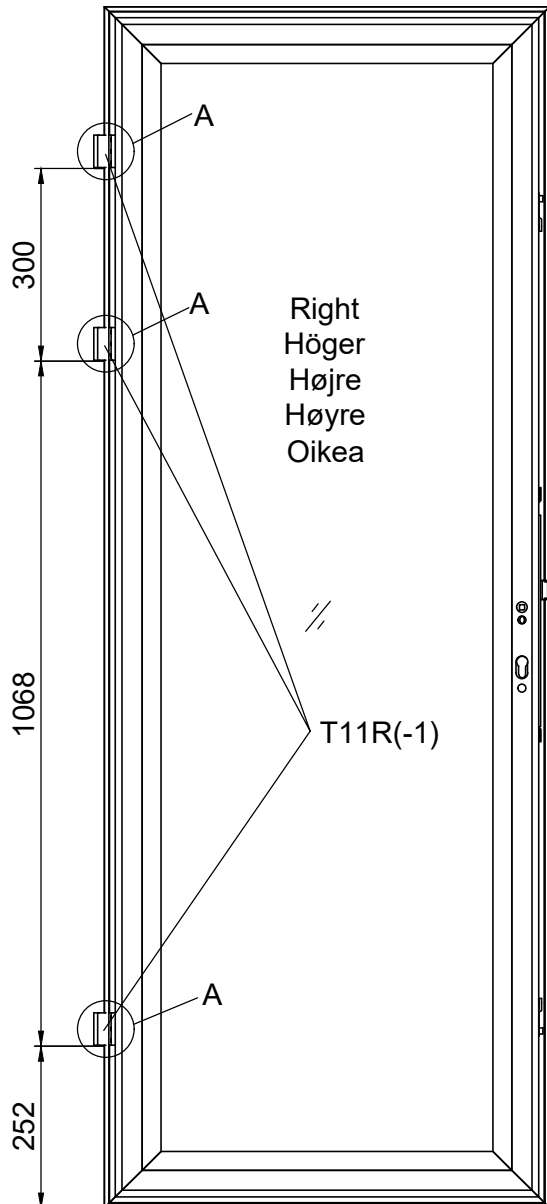
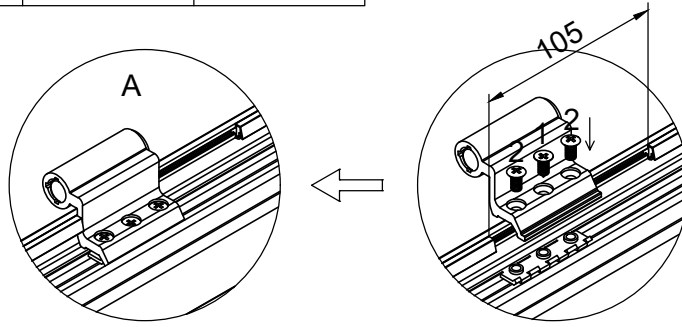
Part	NO.	QTY.	Length(MM)	CTN NO.
	40A-Y110	2	1748	3040P-HD
	40A-Y111	2	569	3040P-HD
	40A-Y112	2	1754	3040P-HD
	40A-Y113	2	576	3040P-HD
	539x1718	1	1718	



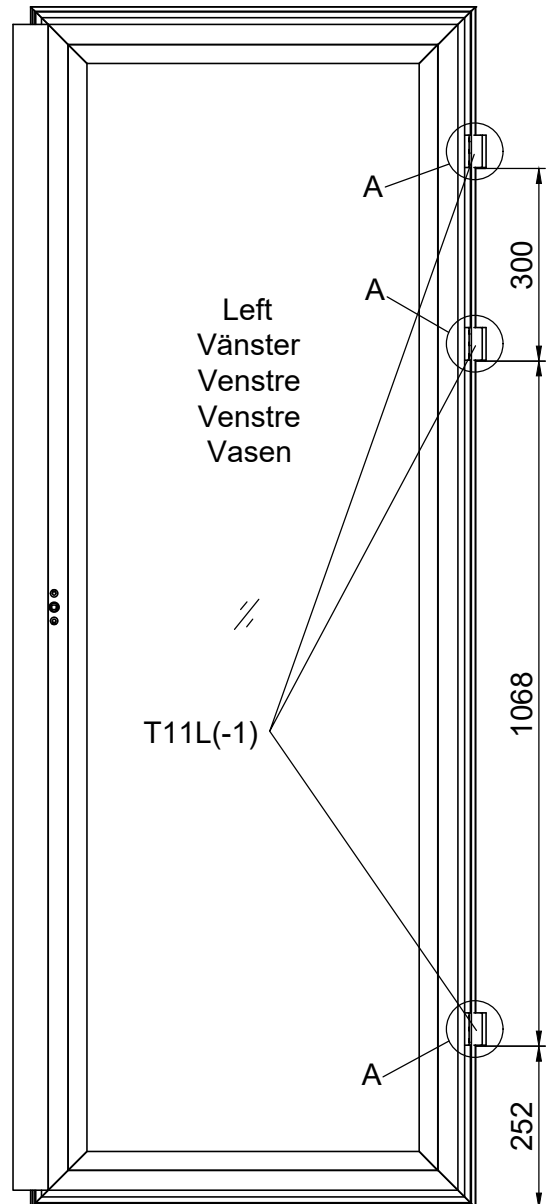
Part	NO.	QTY.	Length(MM)	CTN NO.
	40A-Y114	1	1817	3040P-HD
	Z4.2-38	4	PCS	3040P-HD
	7C28-004	4	PCS	3040P-HD







Part	NO.	QTY.	Length(MM)	CTN NO.
	T11R(-1)	3	PCS	3040P-HD
	T11L(-1)	3	PCS	3040P-HD

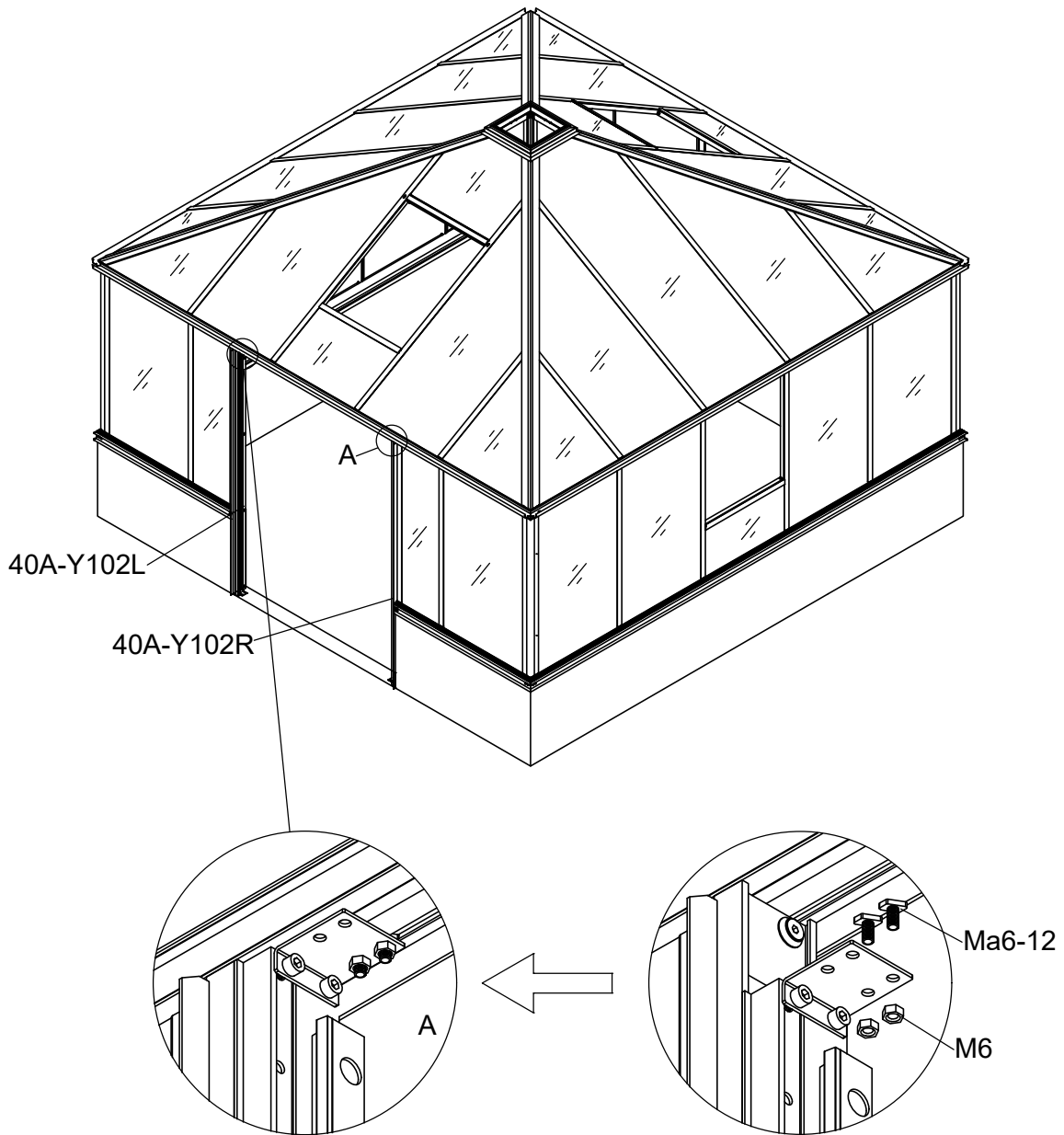





Inside
 Insida
 Inderside
 Inside
 Sisäpuoli

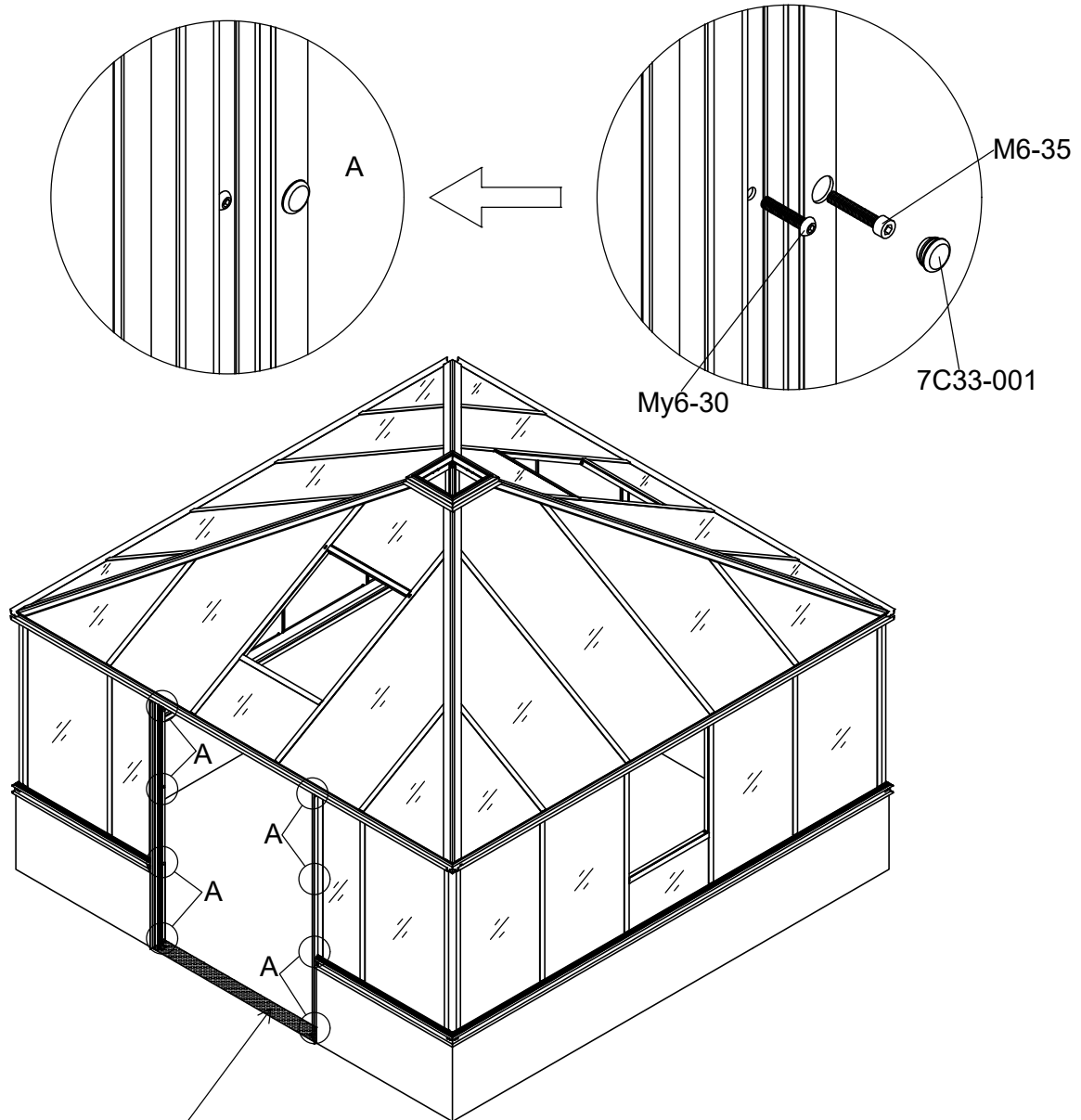


Inside
 Insida
 Inderside
 Inside
 Sisäpuoli




Part	NO.	QTY.	Length(MM)	CTN NO.
	40A-Y102L	1	1910	3040P-HD
	40A-Y102R	1	1910	3040P-HD
	Ma6-12	4	PCS	3040P-HD
	M6	4	PCS	3040P-HD

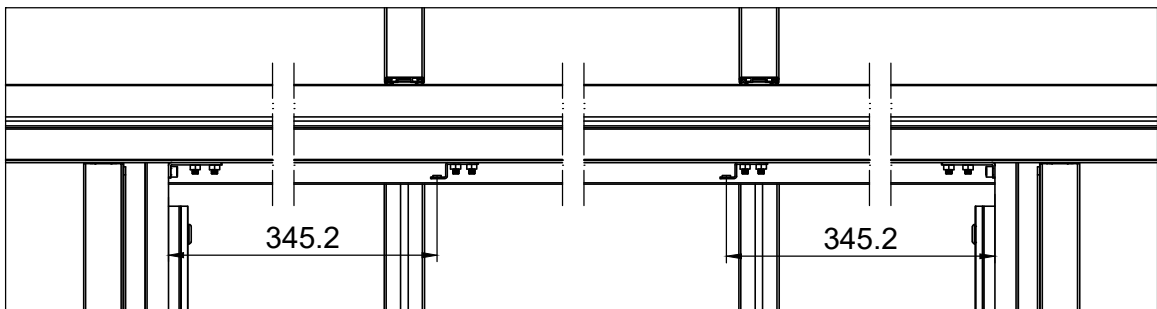
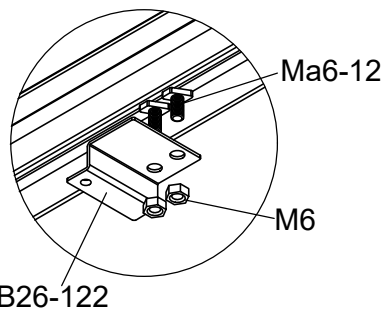
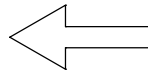
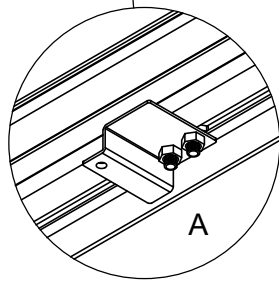
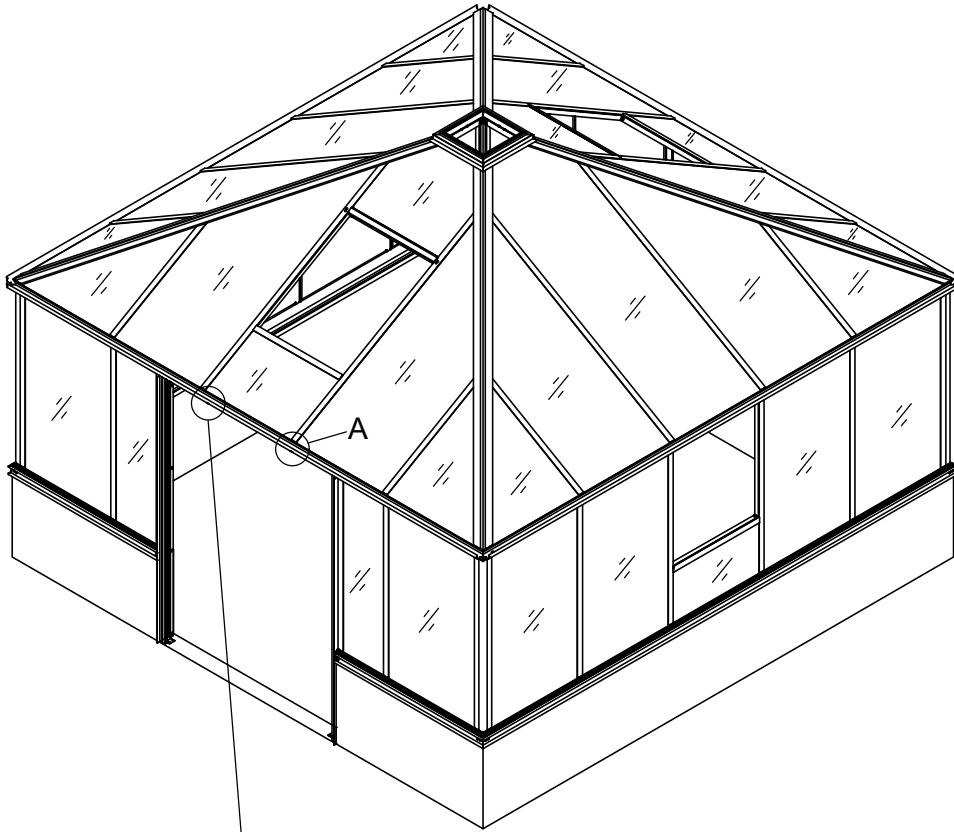



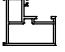
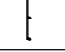


Part	NO.	QTY.	Length(MM)	CTN NO.
	7C33-001	8	PCS	3040P-HD
	M6-35	8	PCS	3040P-HD
	My6-30	8	PCS	3040P-HD

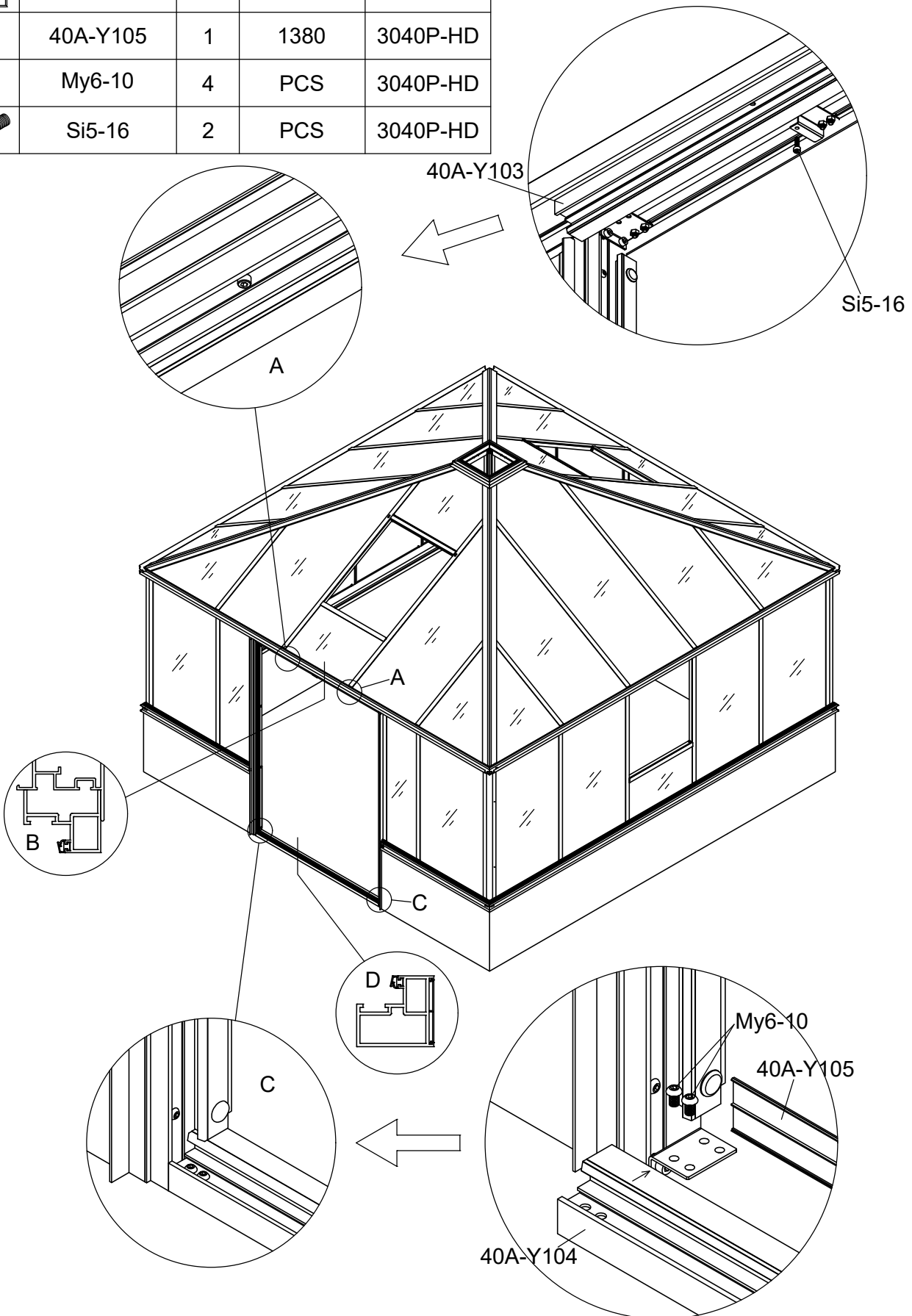




Make sure the floor below the doors frame should be flat and solid.
 Se till att underlaget under dörrramen är plan och på solid grund.
 Sørg for, at underlaget under dørkarmen er plan og på fast grund.
 Sørg for at underlaget under dørterskelen er slett og på solid fundament.
 Tarkista, että maa ovikarmin alla on sileä ja tasainen.

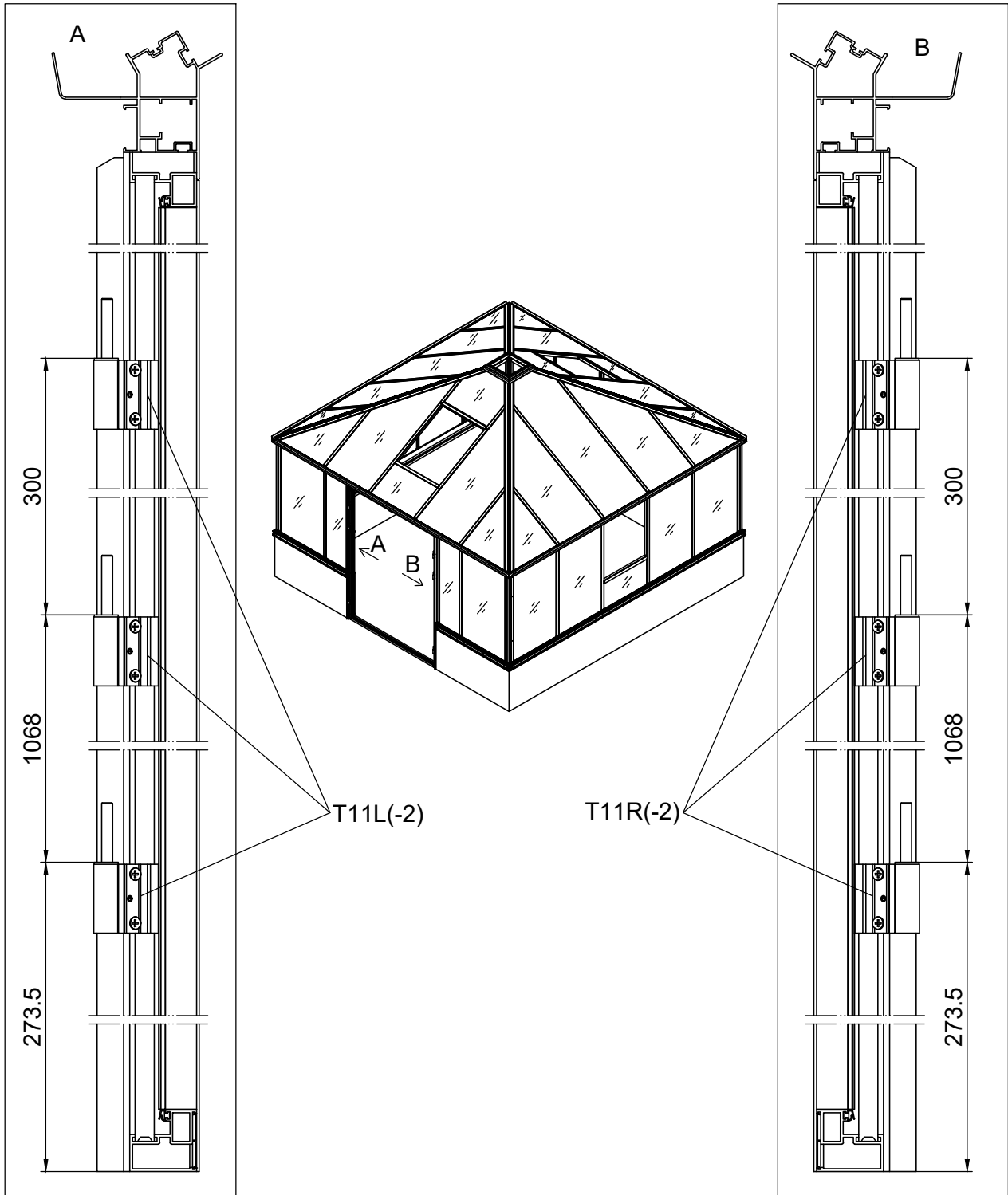
Part	NO.	QTY.	Length(MM)	CTN NO.
	7B26-122	2	PCS	3040P-HD
	Ma6-12	4	PCS	3040P-HD
	M6	4	PCS	3040P-HD

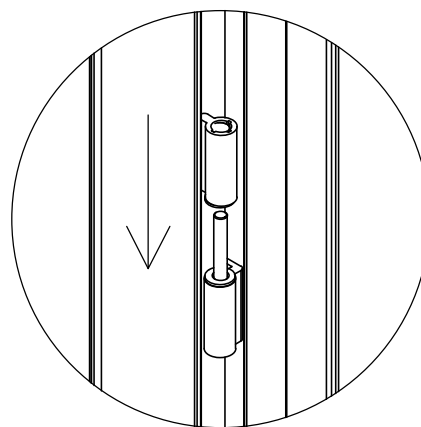
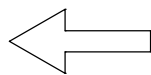
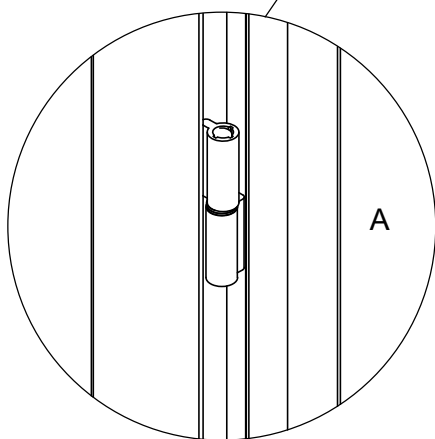
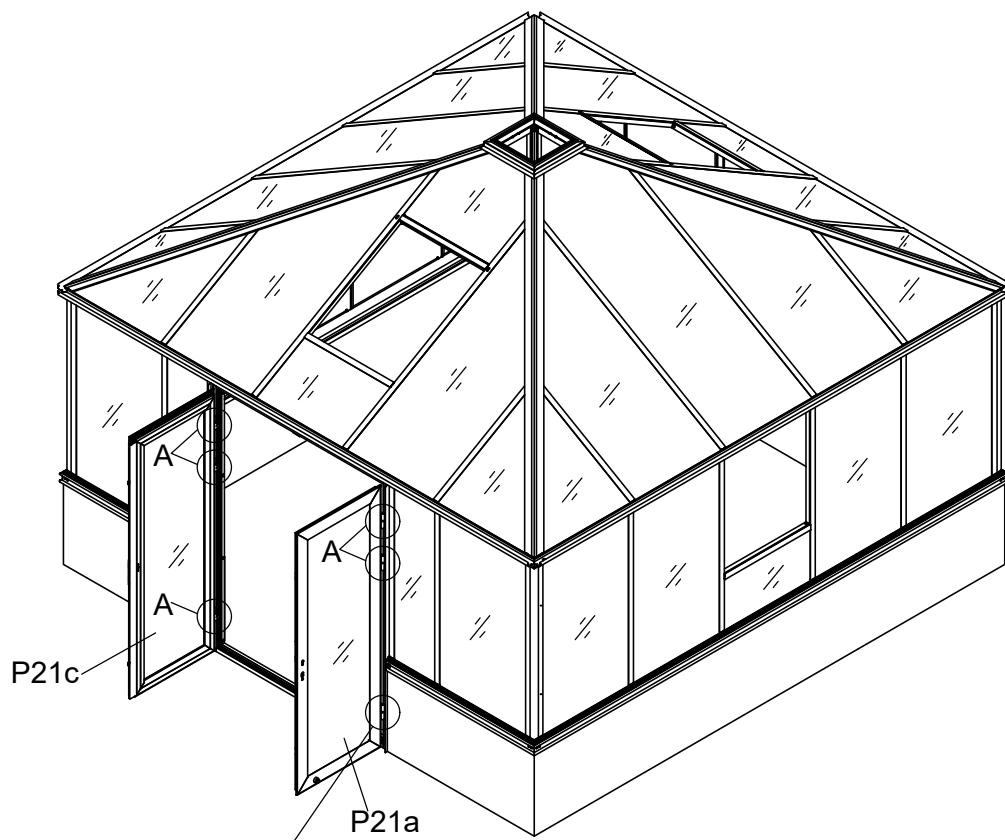




Part	NO.	QTY.	Length(MM)	CTN NO.
	40A-Y103	1	1380	3040P-HD
	40A-Y104	1	1380	3040P-HD
	40A-Y105	1	1380	3040P-HD
	My6-10	4	PCS	3040P-HD
	Si5-16	2	PCS	3040P-HD

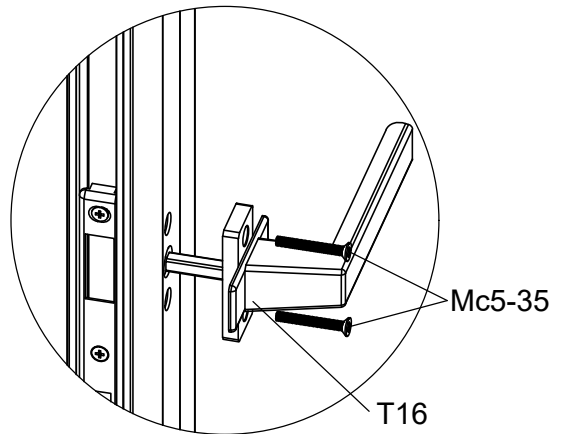
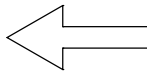
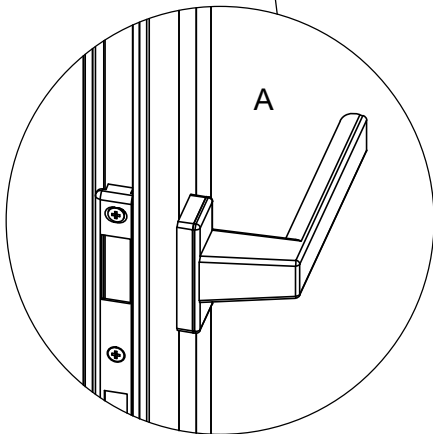
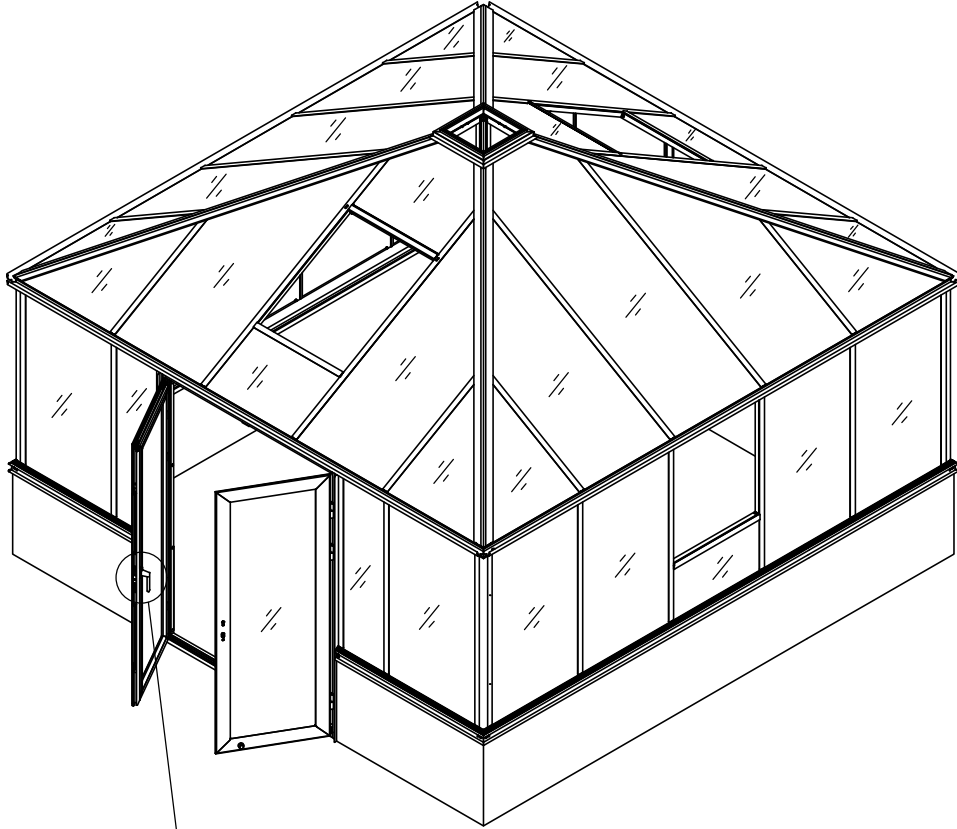



Part	NO.	QTY.	Length(MM)	CTN NO.
	T11R(-2)	3	PCS	3040P-HD
	T11L(-2)	3	PCS	3040P-HD

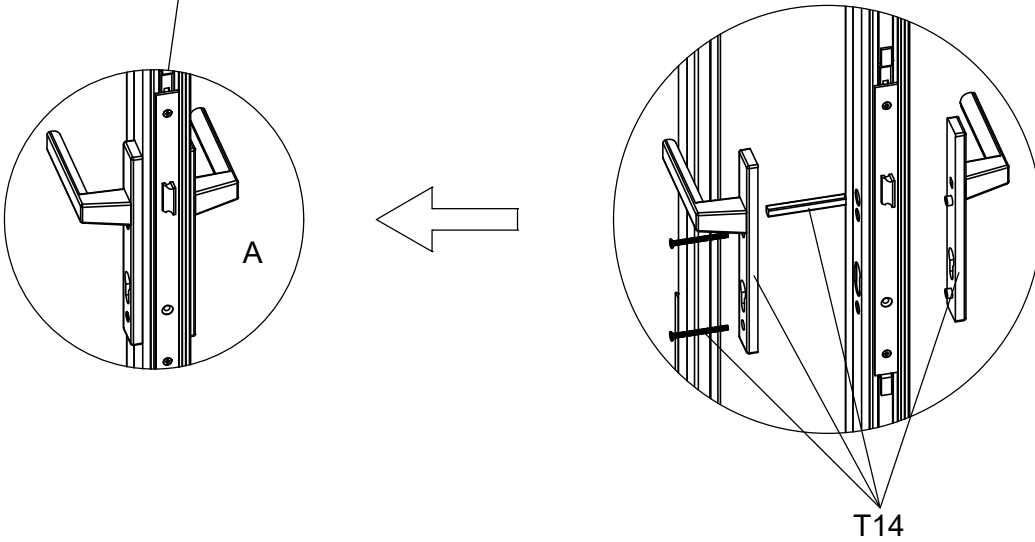
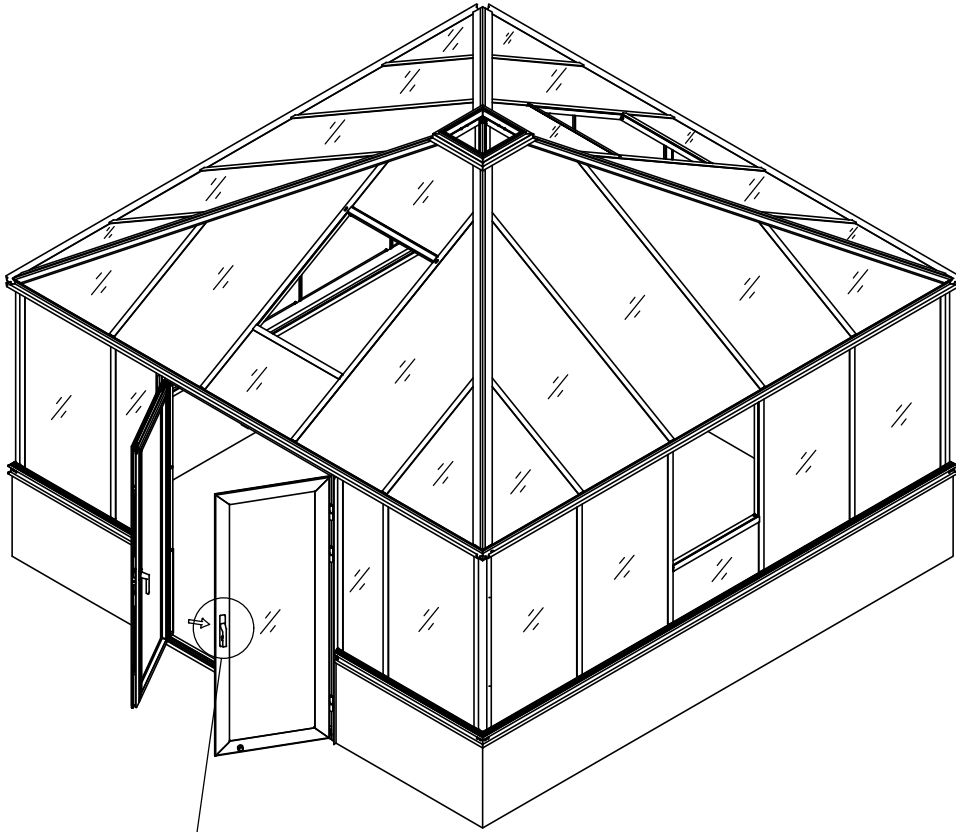





Part	NO.	QTY.	Length(MM)	CTN NO.
	T16	1	PCS	3040P-HD
	Mc5-35	2	PCS	3040P-HD

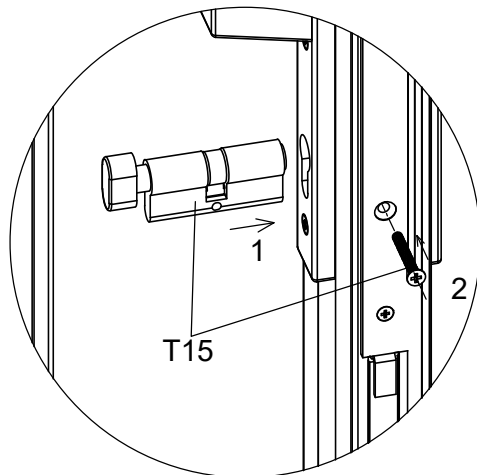
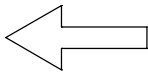
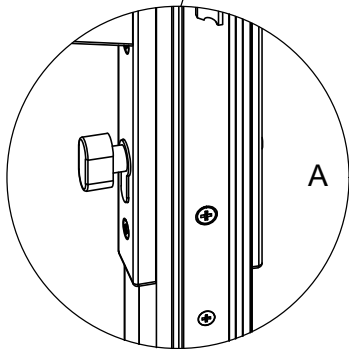
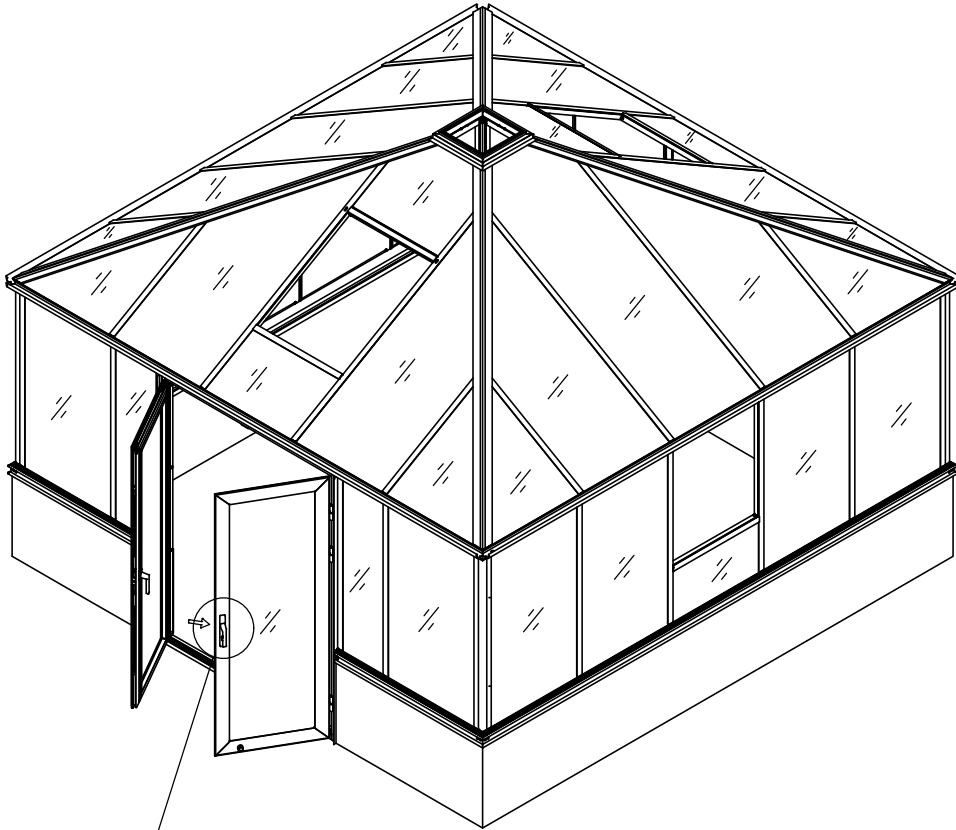





Part	NO.	QTY.	Length(MM)	CTN NO.
	T14	1	PCS	3040P-HD

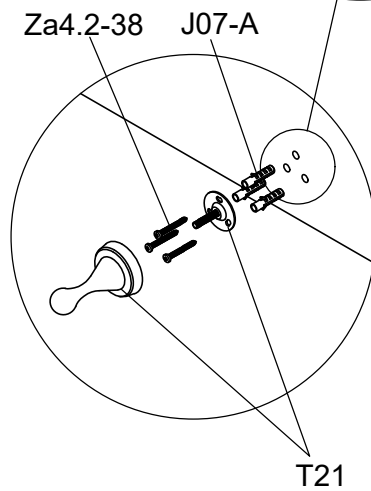
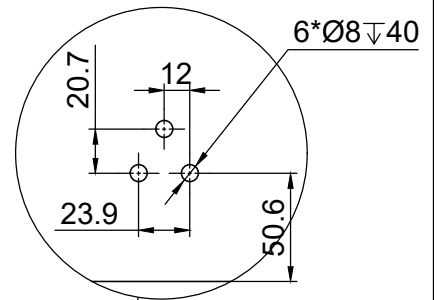
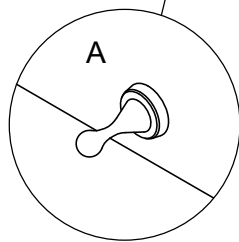
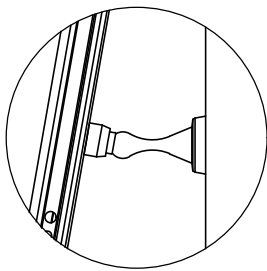
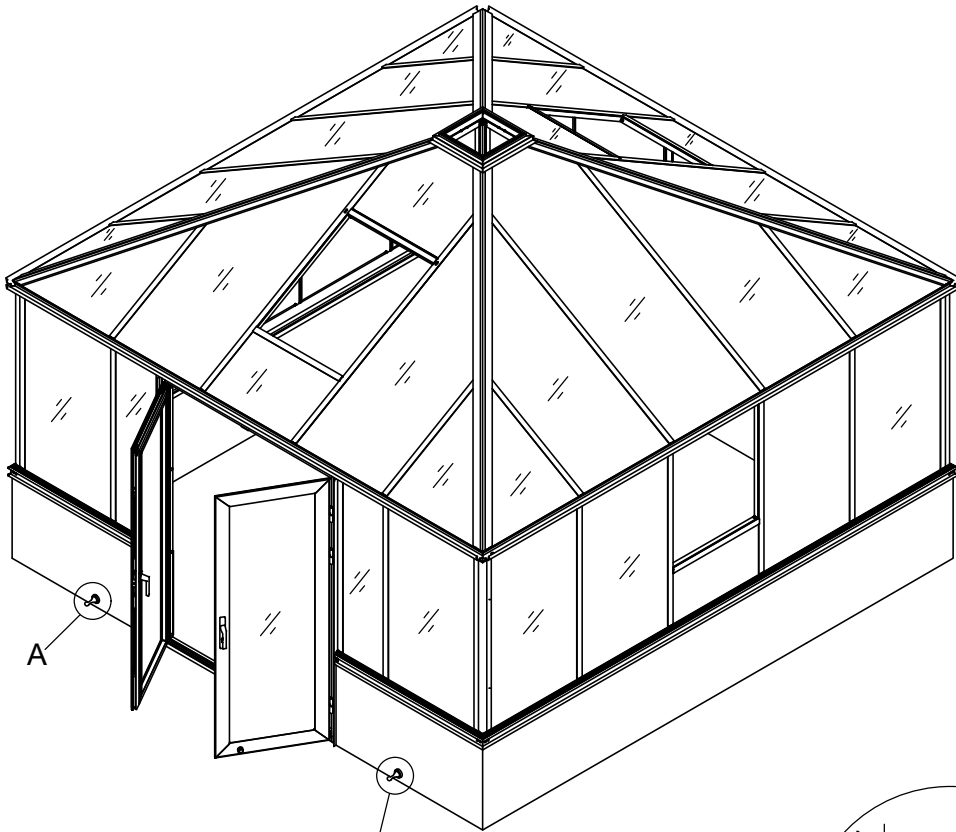


20b/30



Part	NO.	QTY.	Length(MM)	CTN NO.
	T15	1	PCS	3040P-HD

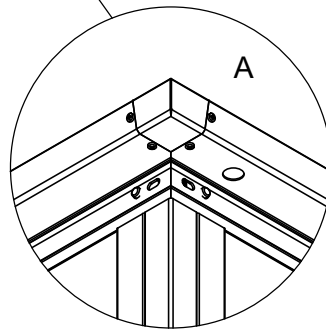
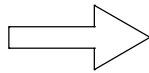
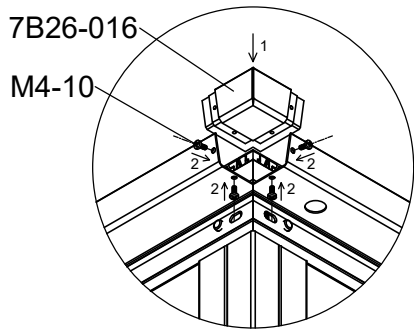
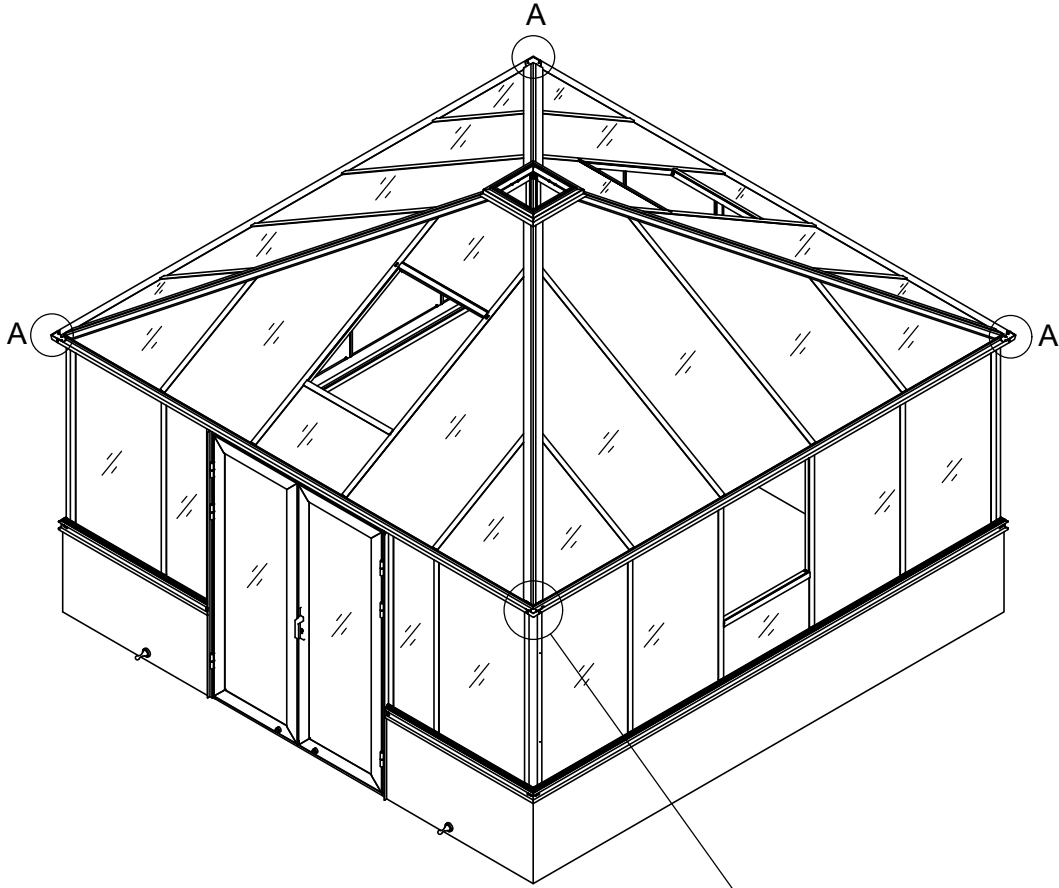


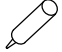
Part	NO.	QTY.	Length(MM)	CTN NO.
	T21	2	PCS	3040P-HD
	J07-A	6	PCS	3040P-HD
	Za4.2-38	6	PCS	3040P-HD

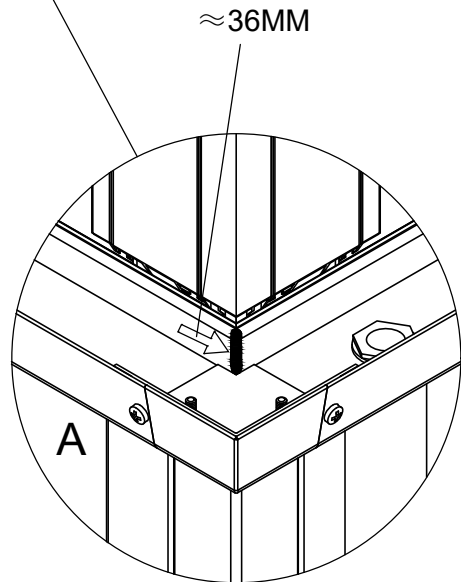
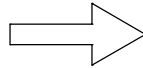
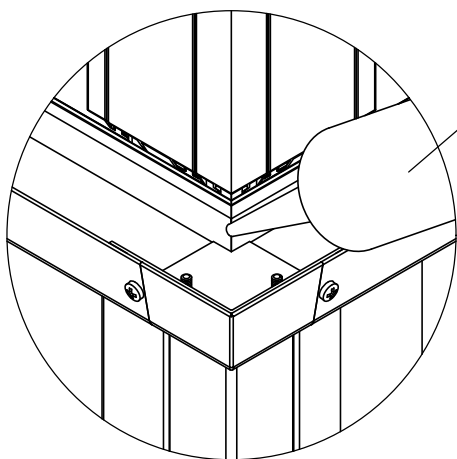
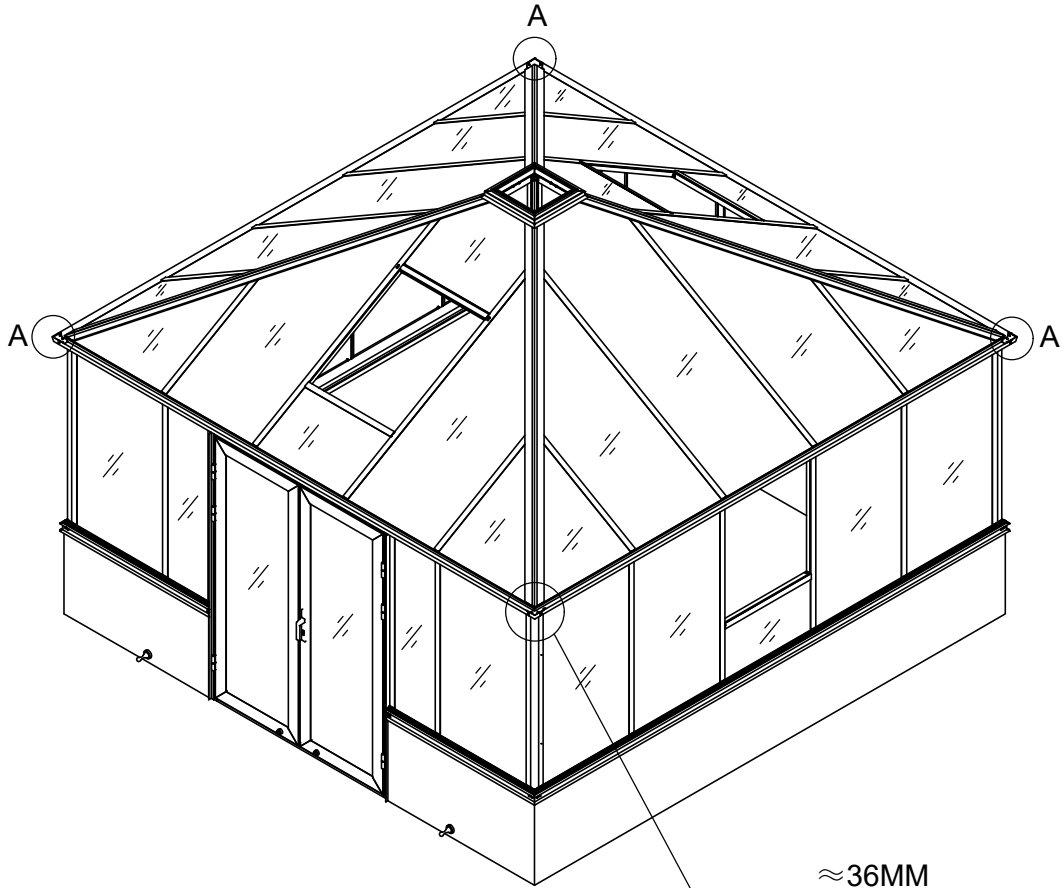




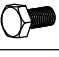

20d/30

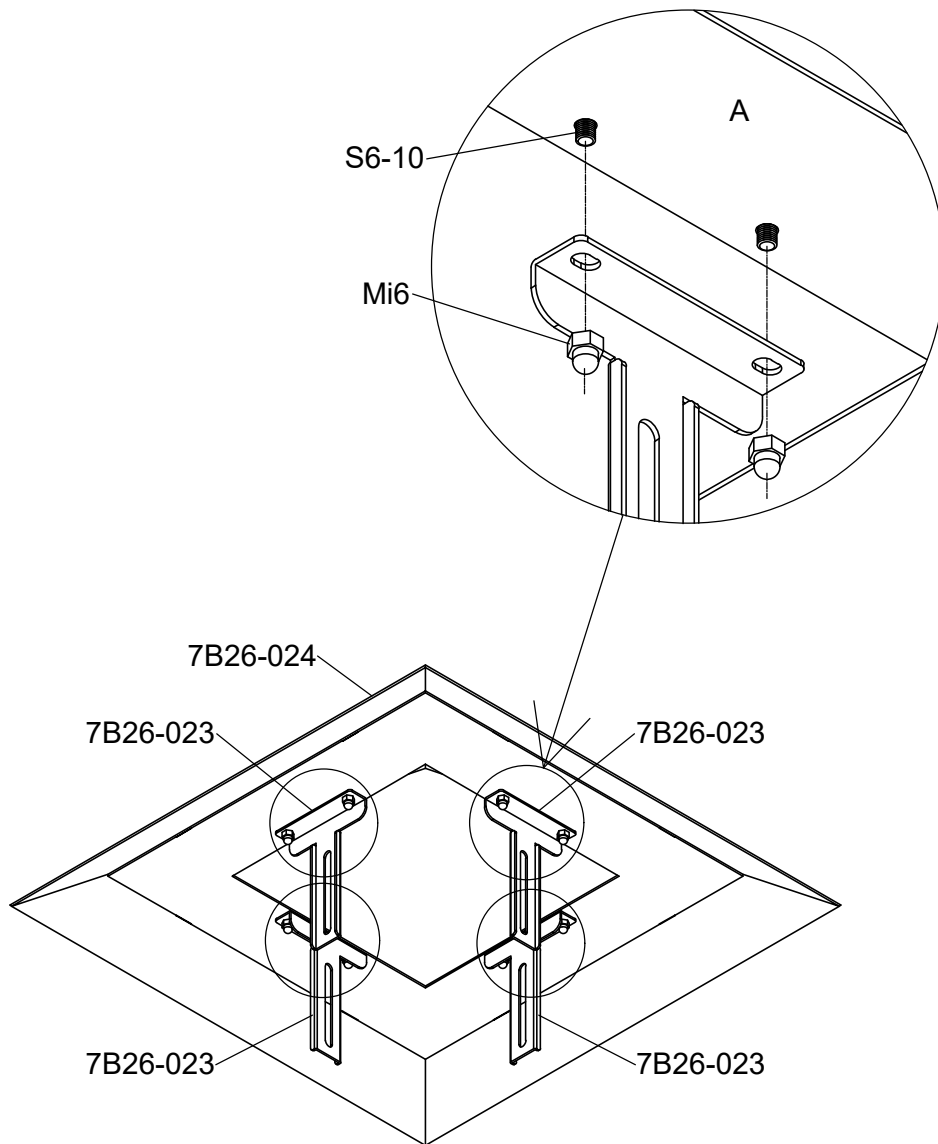
Part	NO.	QTY.	Length(MM)
	7B26-016	4	PCS
	M4-10	16	10








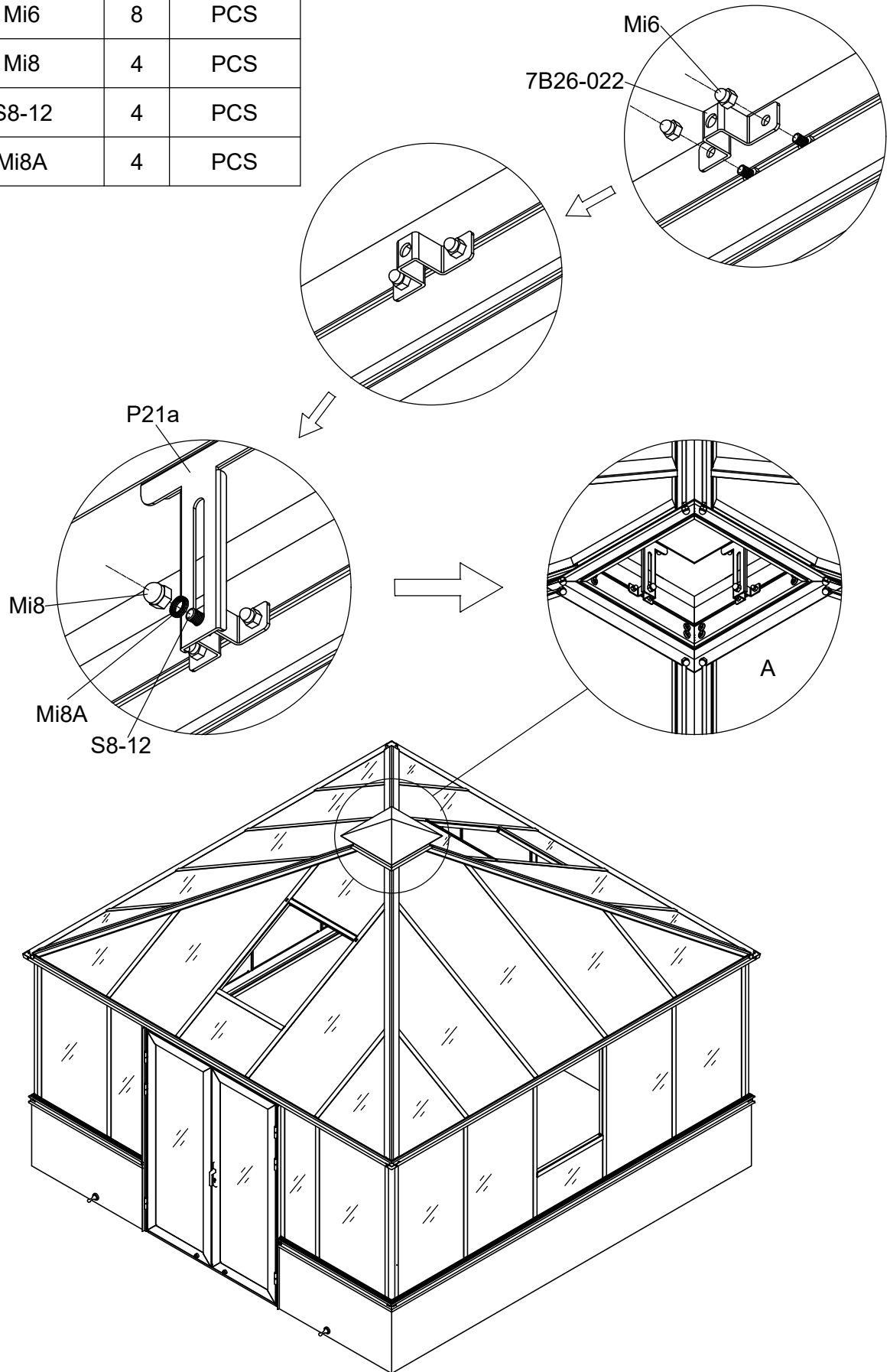
Part	NO.	QTY.	Length(MM)
	J08	1	PCS

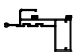
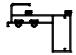
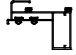
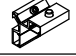





Part	NO.	QTY.	Length(MM)
	7B26-024	1	PCS
	7B26-023	4	PCS
	S6-10	8	PCS
	Mi6	8	PCS



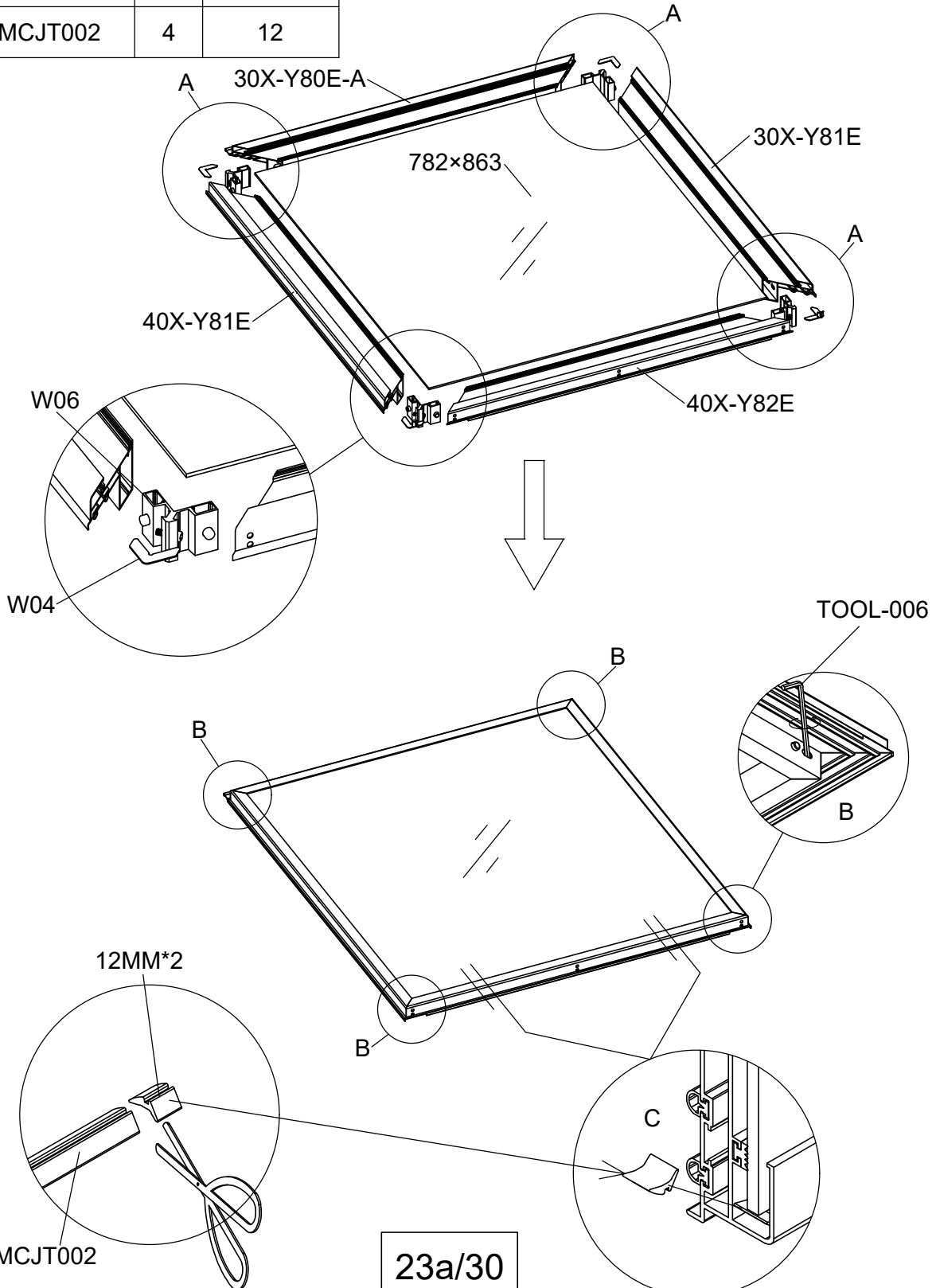
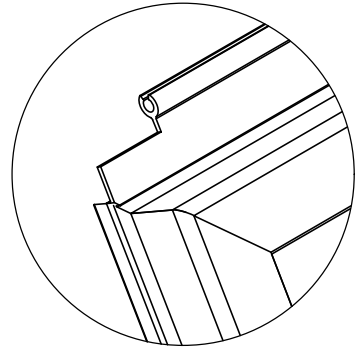
Part	NO.	QTY.	Length(MM)
	7B26-022	4	PCS
	Mi6	8	PCS
	Mi8	4	PCS
	S8-12	4	PCS
	Mi8A	4	PCS





Part	NO.	QTY.	Length(MM)
	30X-Y80E-A	2	801
	40X-Y81E	4	882
	40X-Y82E	2	801
	W06	8	46
	W04	8	PCS
	782x863	2	863
	MCJT002	4	12

Roof Window

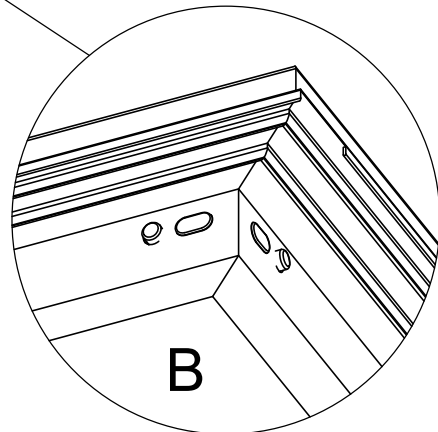
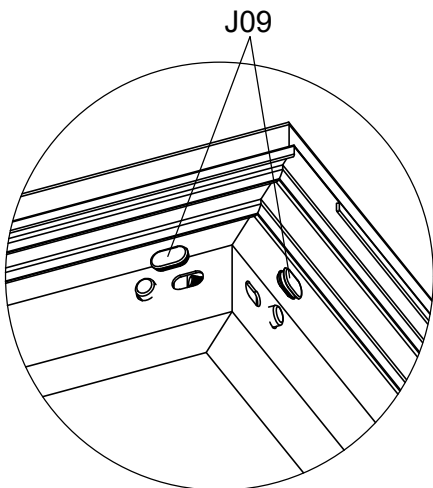
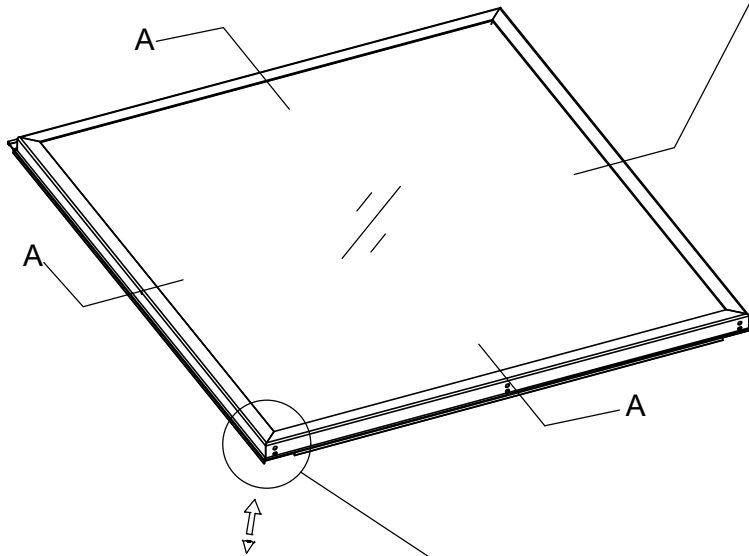
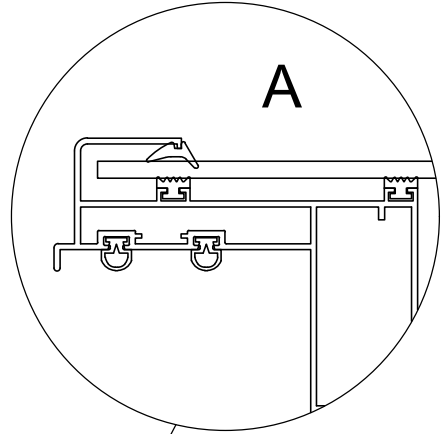
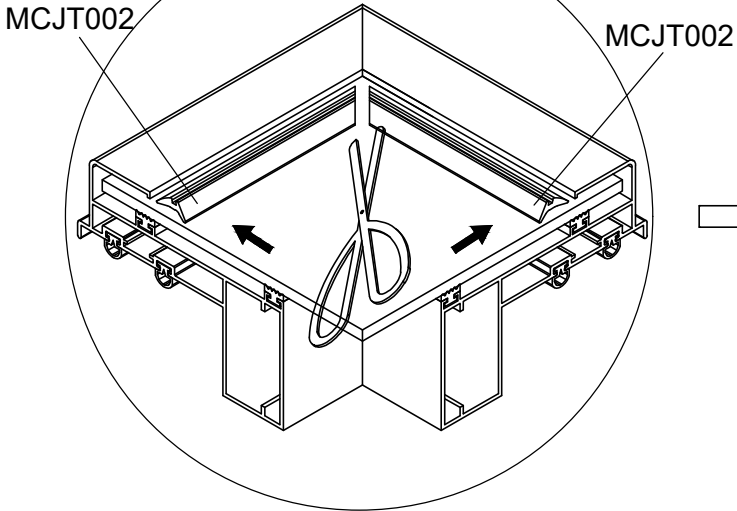
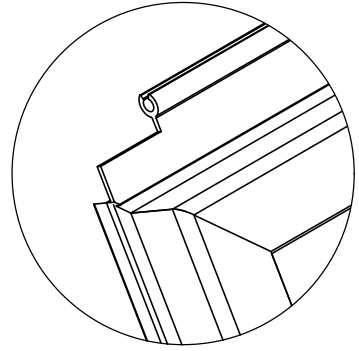
2 PCS

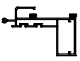
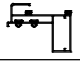
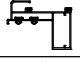
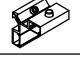
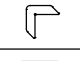




Part	NO.	QTY.	Length(MM)
	MCJT002	7M	
	J09	16	PCS

Roof Window

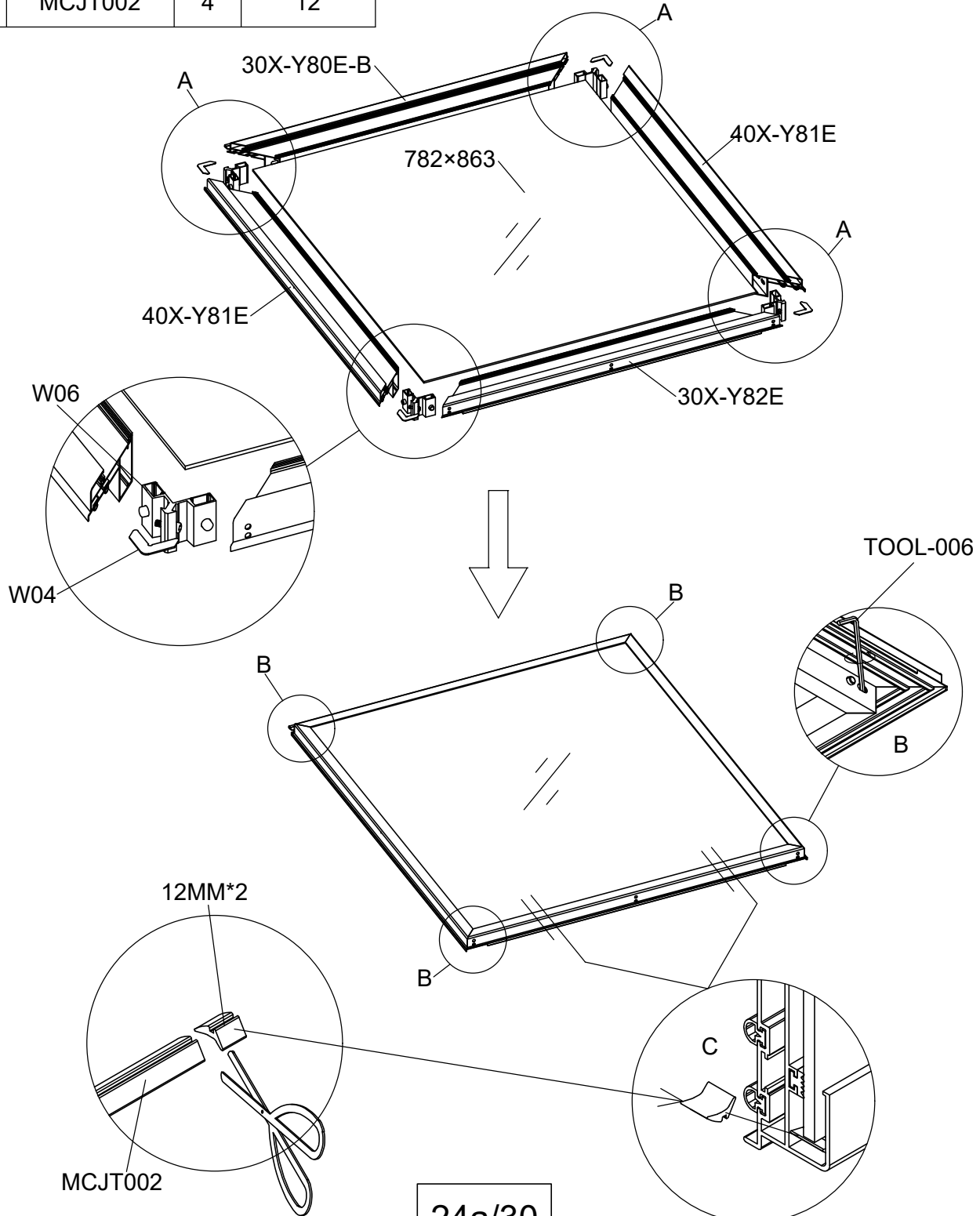
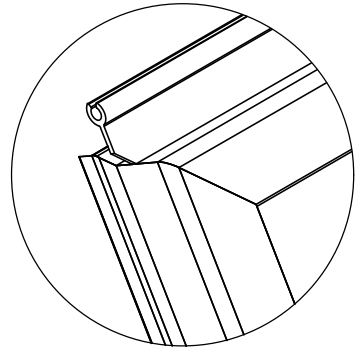
2 PCS





Part	NO.	QTY.	Length(MM)
	30X-Y80E-B	2	801
	40X-Y81E	4	882
	30X-Y82E	2	801
	W06	8	46
	W04	8	PCS
	782x863	2	863
	MCJT002	4	12

Side Window

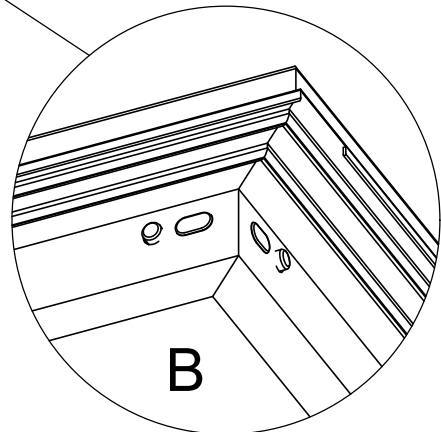
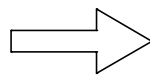
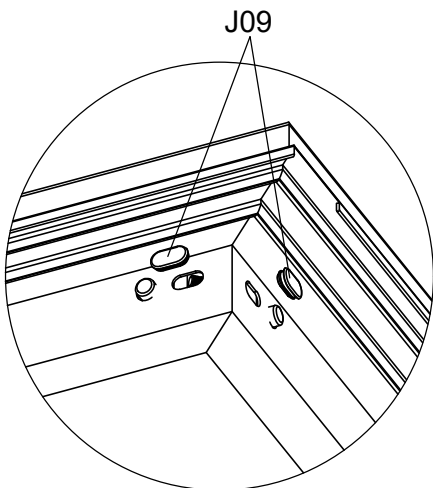
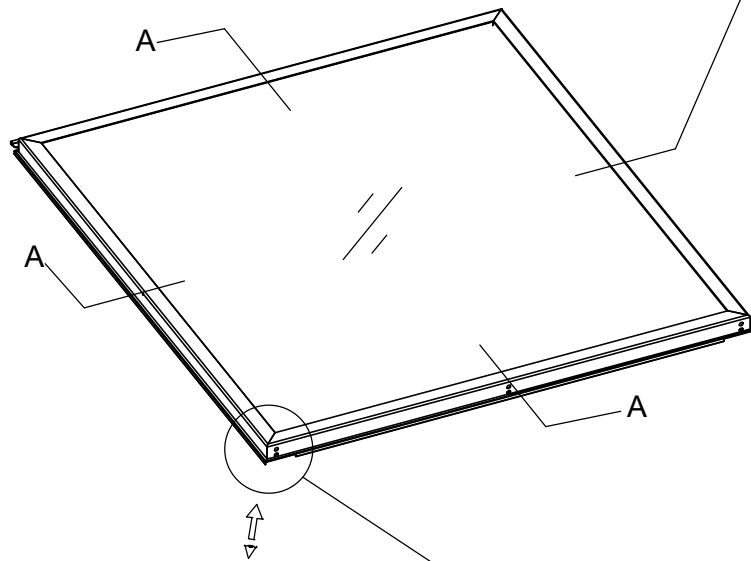
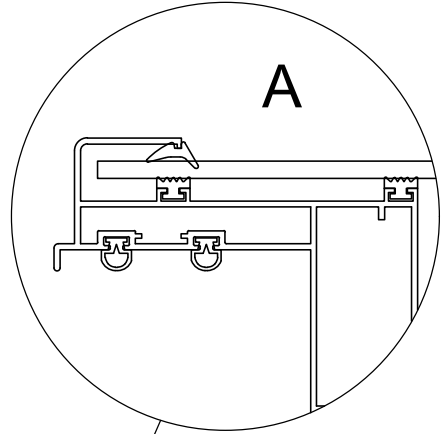
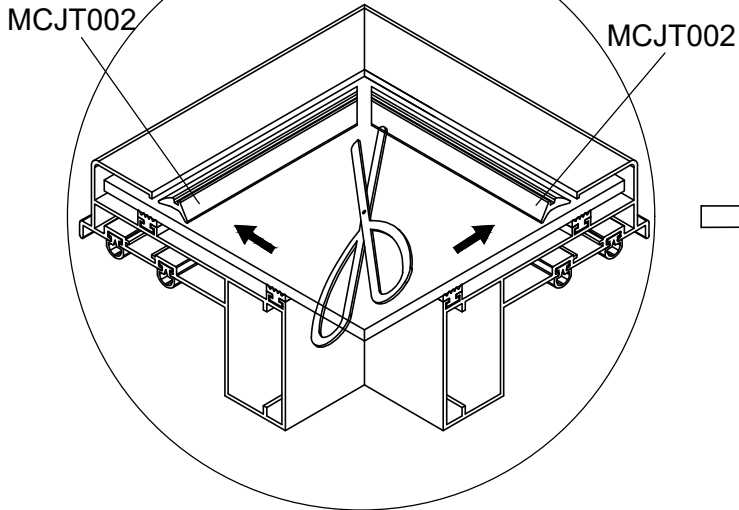
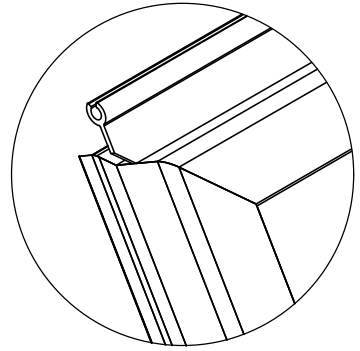
2 PCS






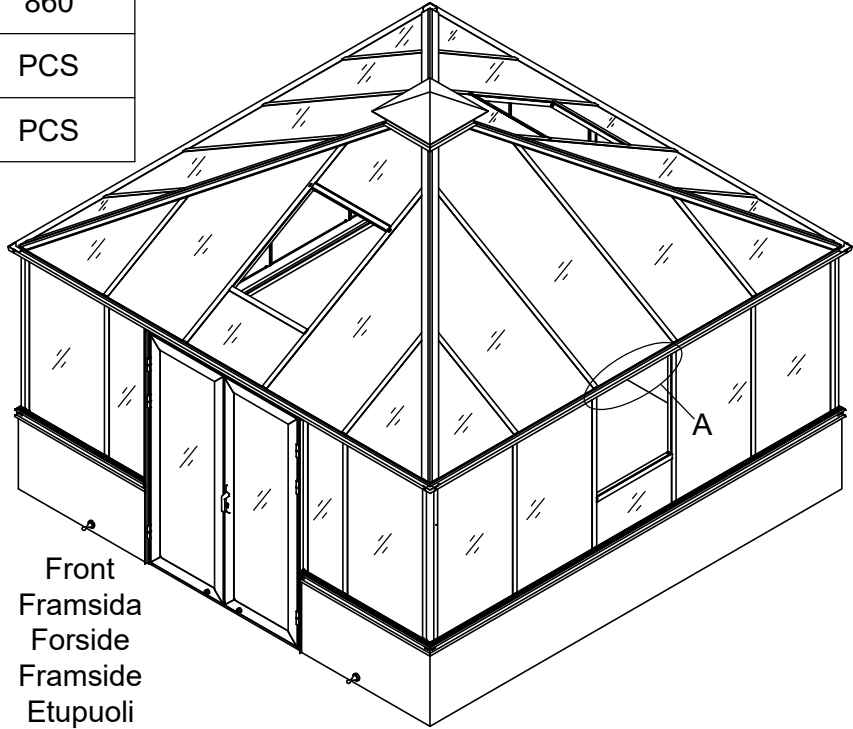
Part	NO.	QTY.	Length(MM)
	MCJT002	7M	
	J09	16	PCS

Side Window

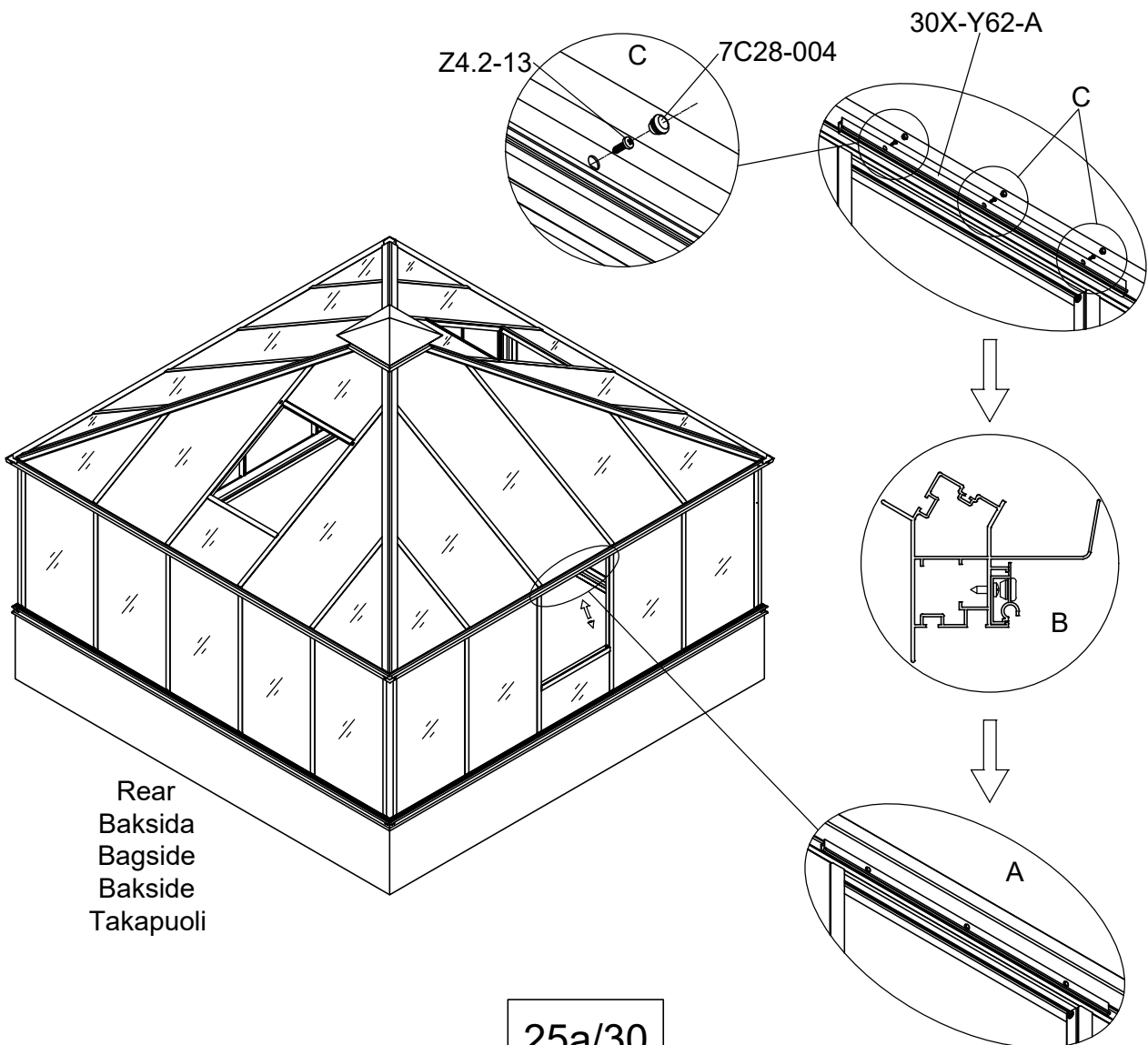
2 PCS




Part	NO.	QTY.	Length(MM)
	30X-Y62-A	2	860
	Z4.2-13	6	PCS
	7C28-004	6	PCS

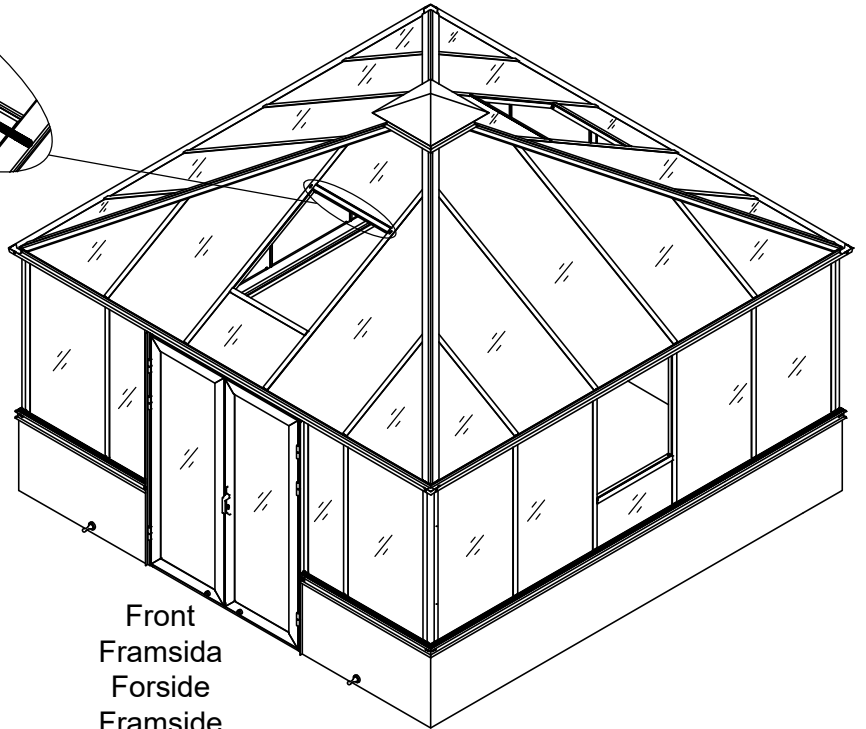
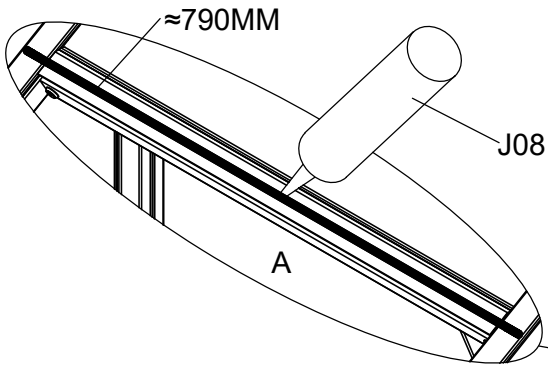


Front
Framsida
Forside
Framsida
Etuapuoli

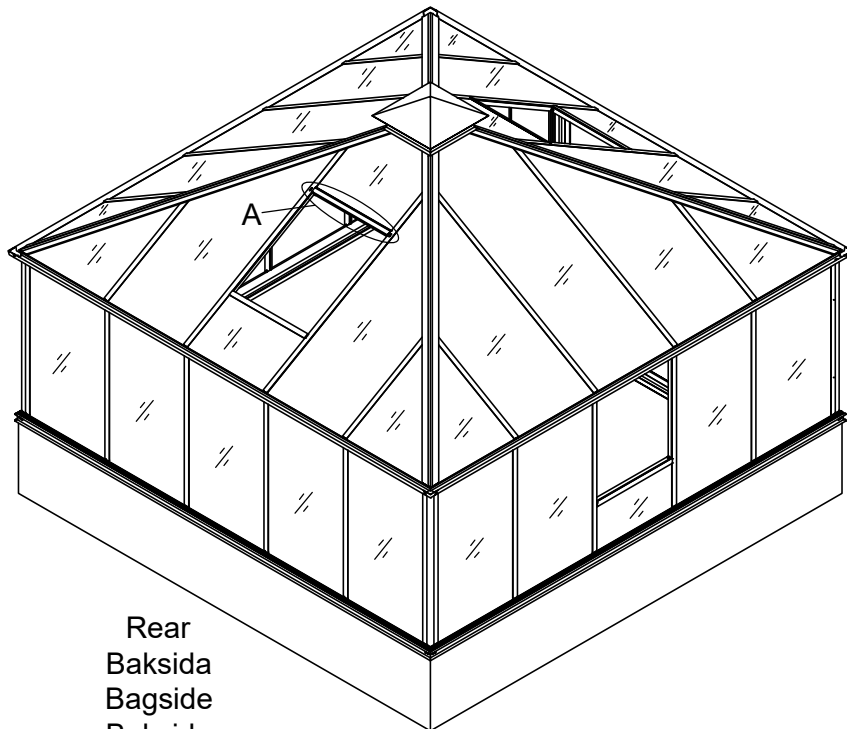


Rear
Baksida
Bagside
Baksida
Takapuoli

Part	NO.	QTY.	Length(MM)
	J08	1	PCS







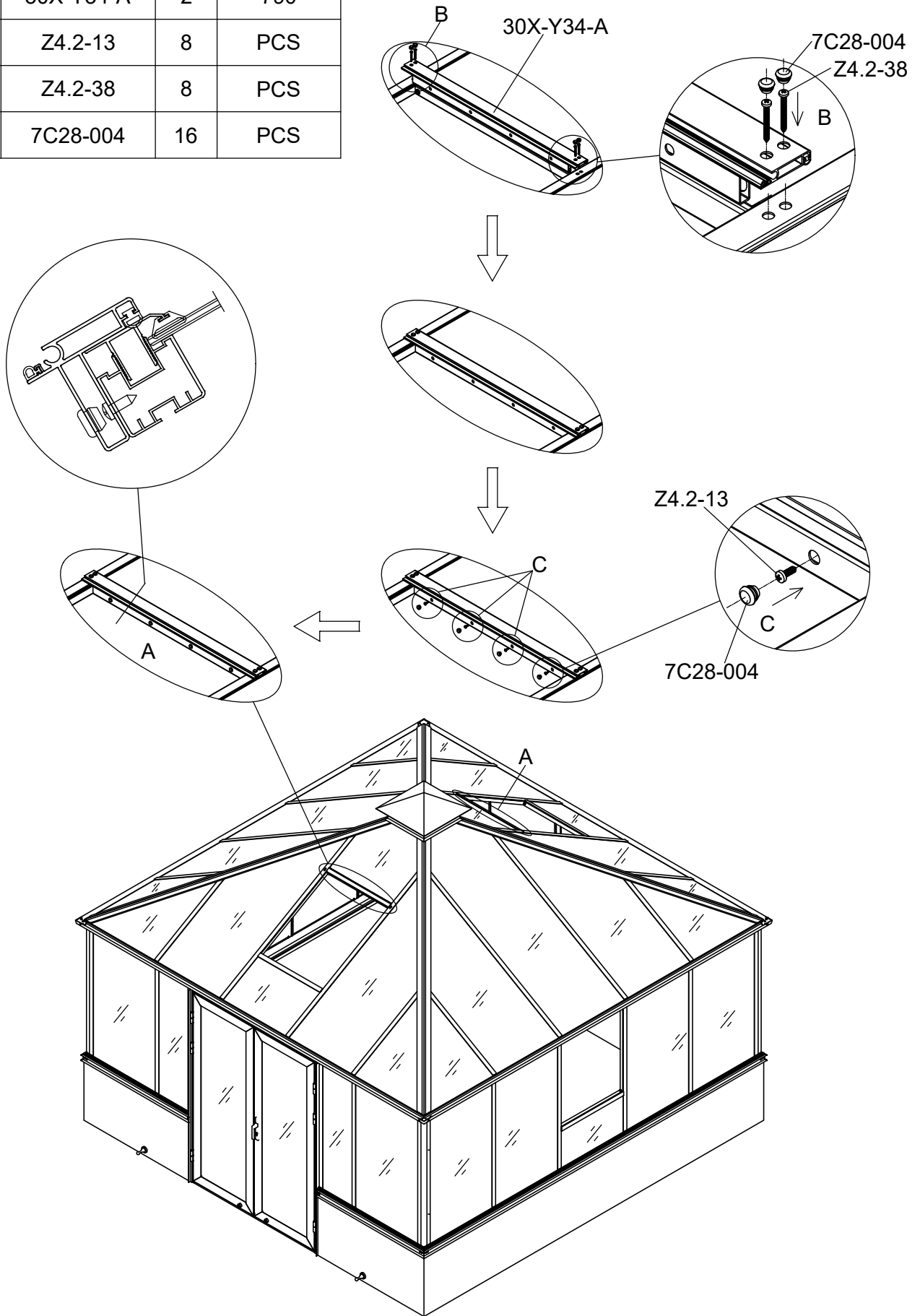
Front
 Framsida
 Forside
 Framside
 Etupuoli





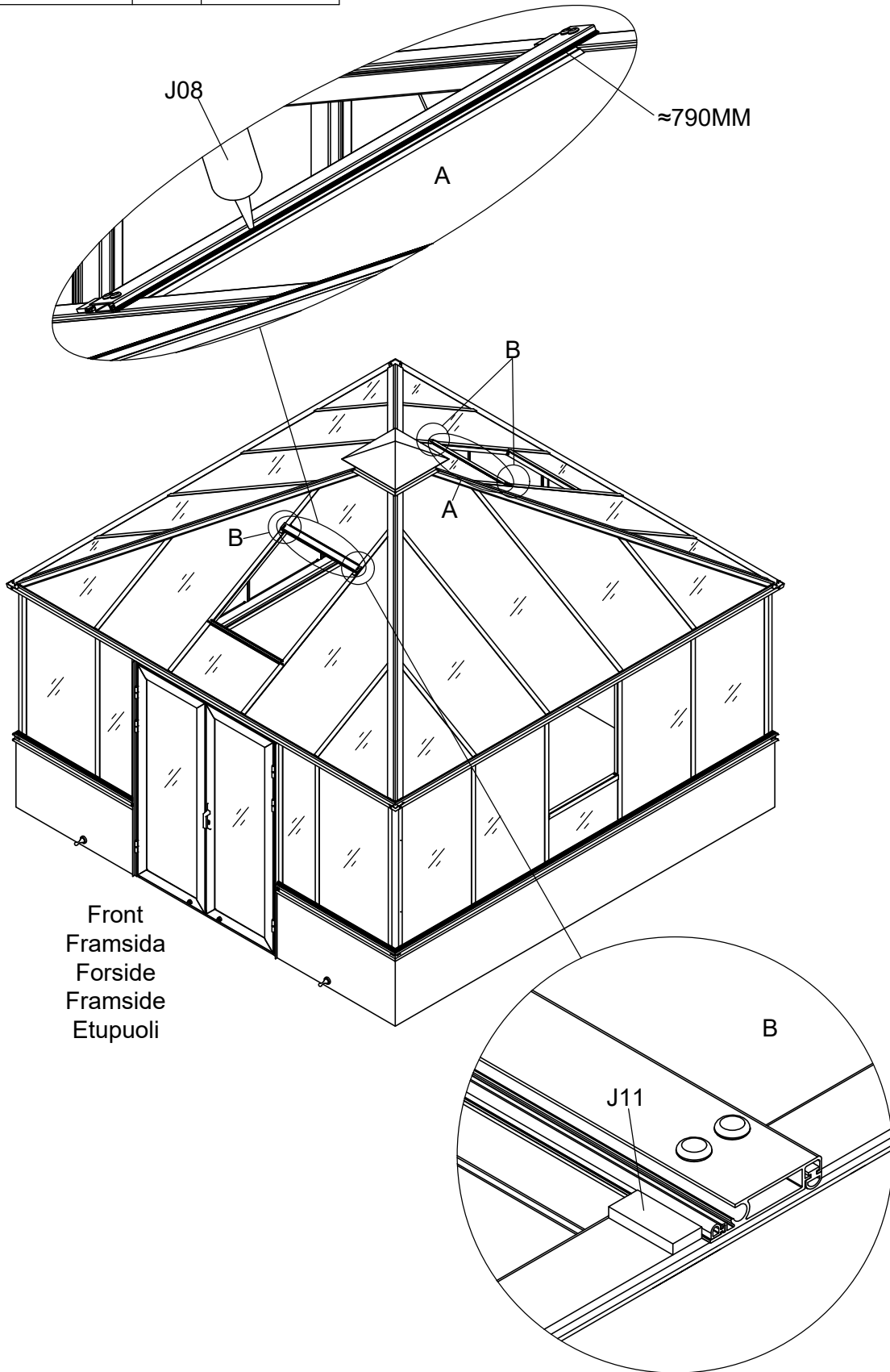
Rear
 Baksida
 Bagside
 Baksida
 Takapuoli

25b/30


Part	NO.	QTY.	Length(MM)
	30X-Y34-A	2	790
	Z4.2-13	8	PCS
	Z4.2-38	8	PCS
	7C28-004	16	PCS

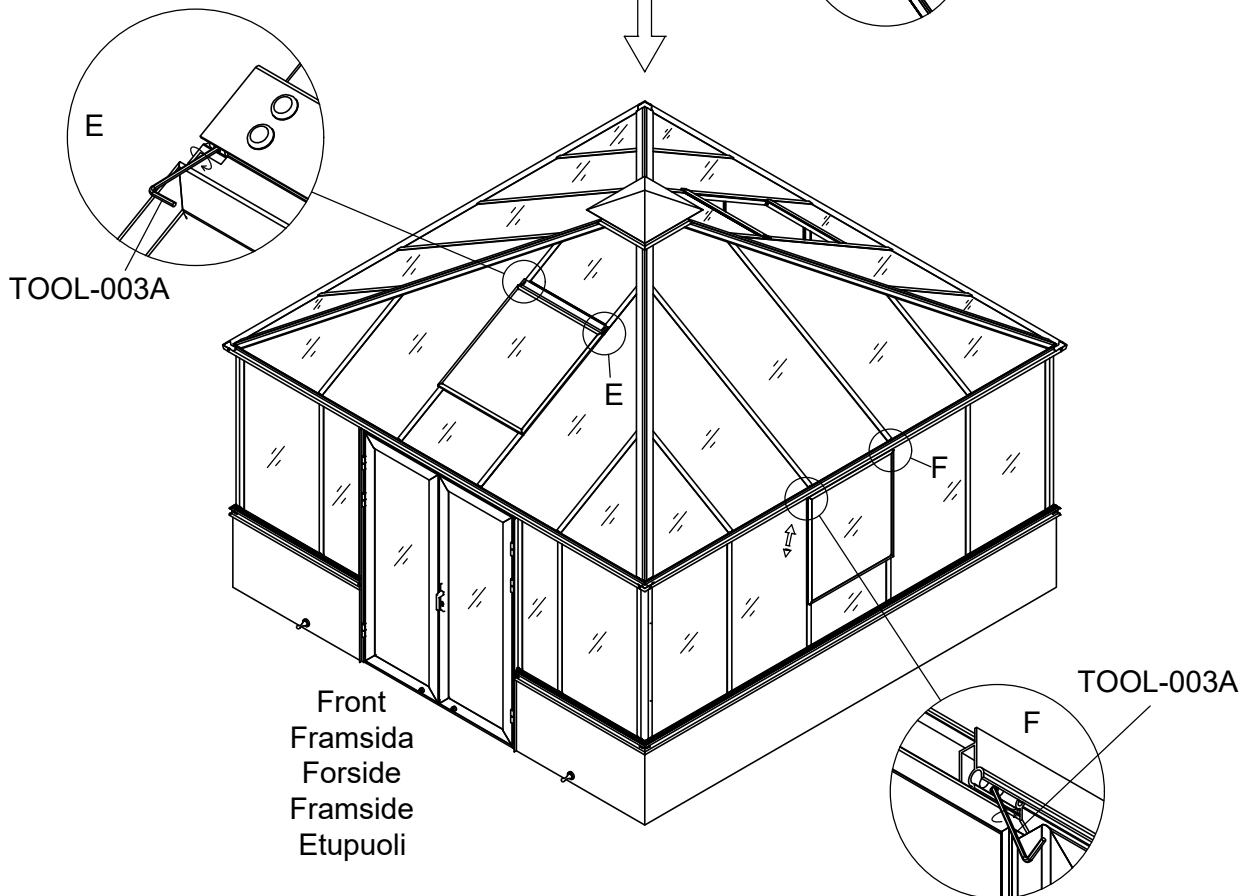
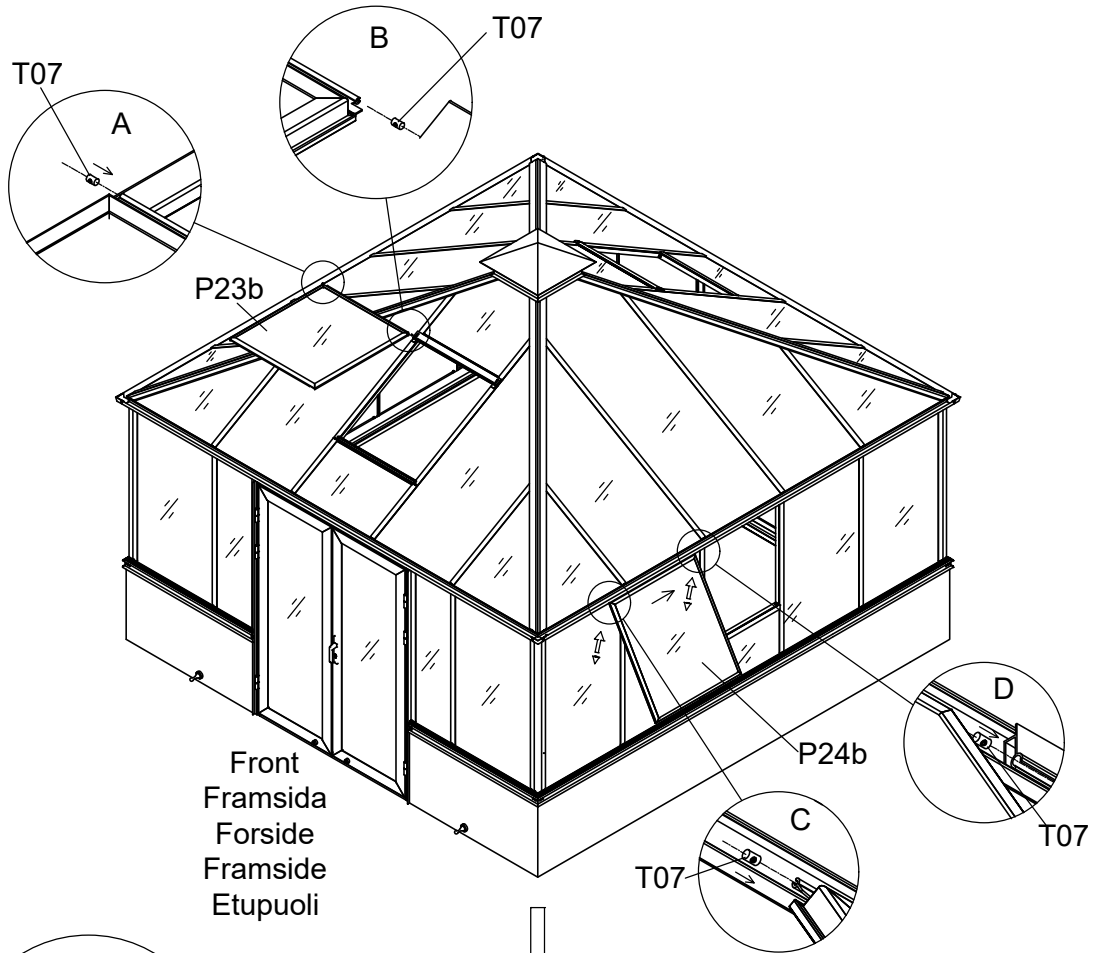



Part	NO.	QTY.	Length(MM)
	J11	4	PCS
	J08	1	PCS

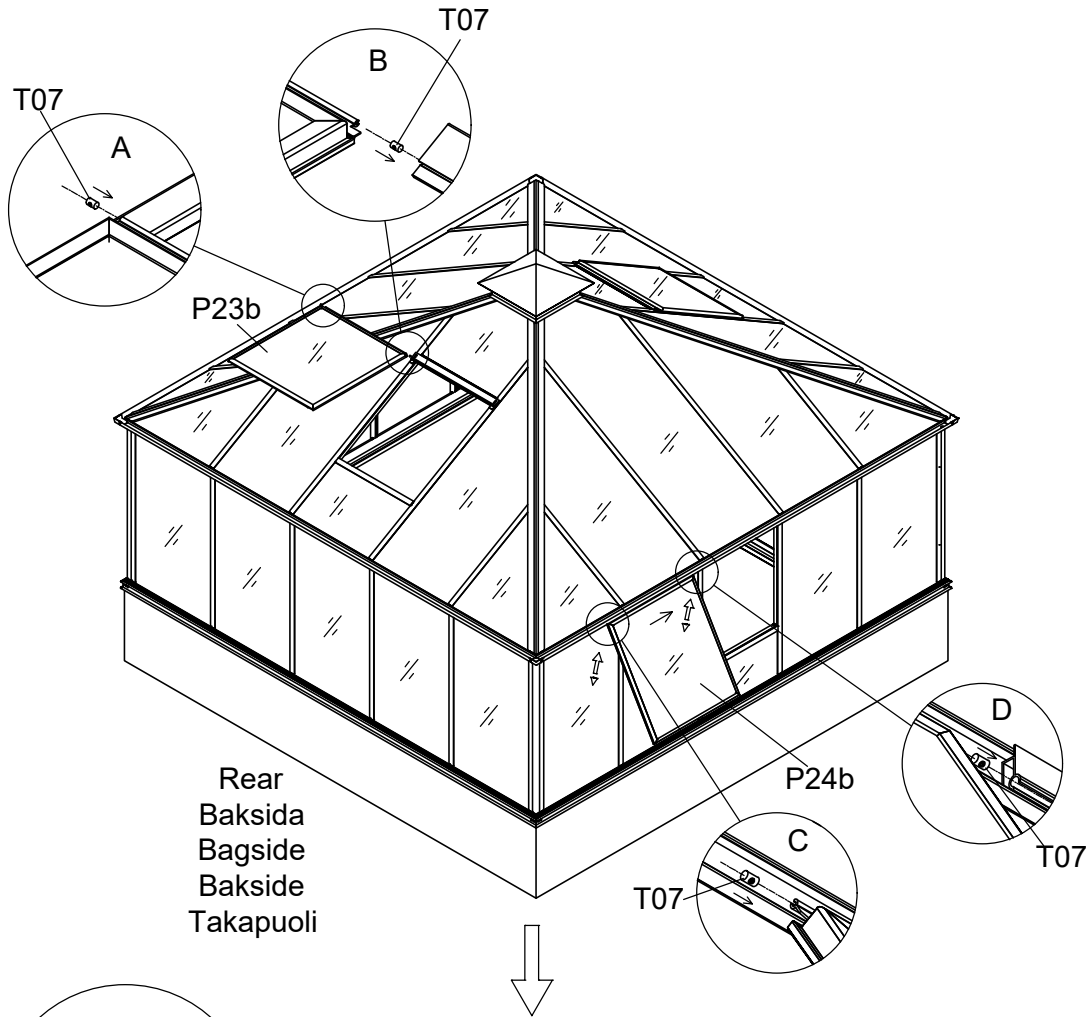


25d/30

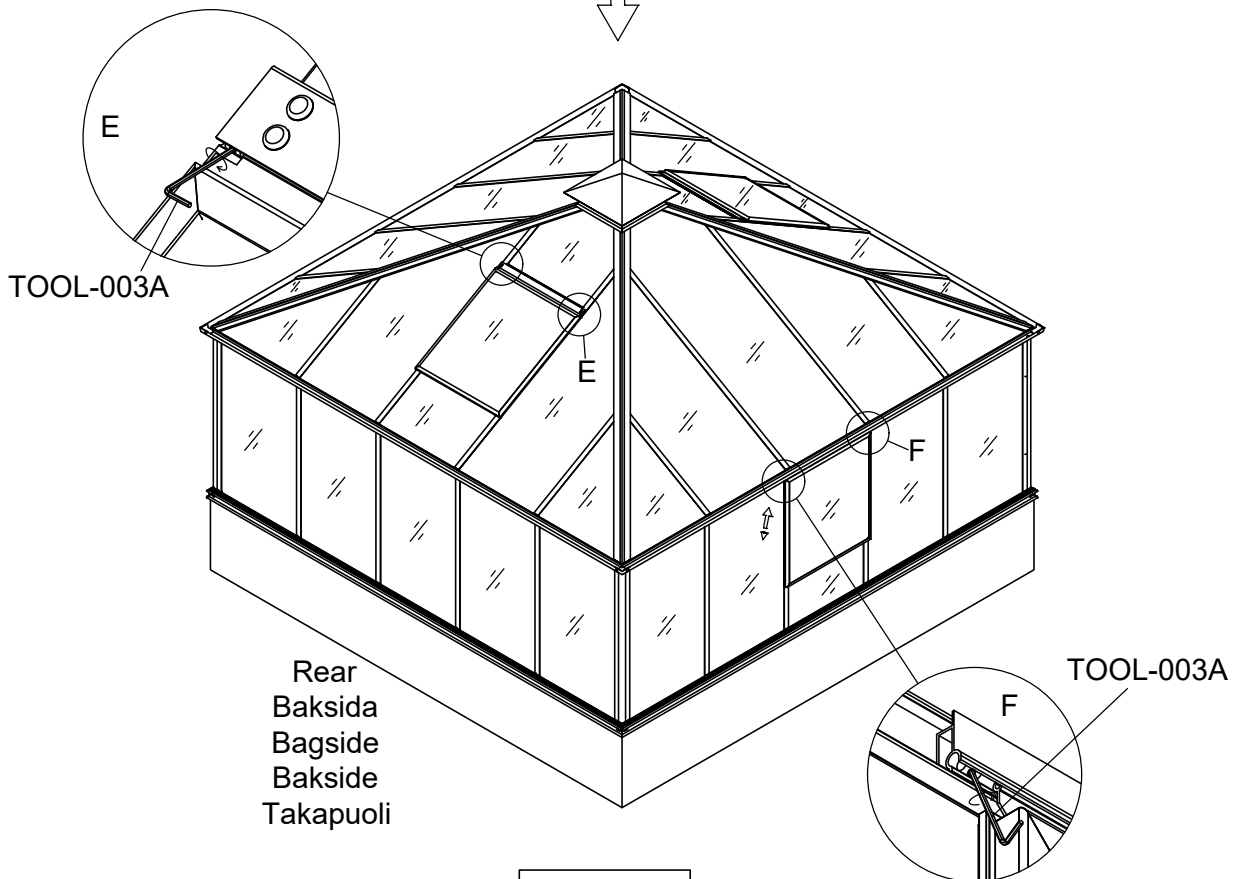
Part	NO.	QTY.	Length(MM)
	T07	4	PCS






Part	NO.	QTY.	Length(MM)
	T07	4	PCS



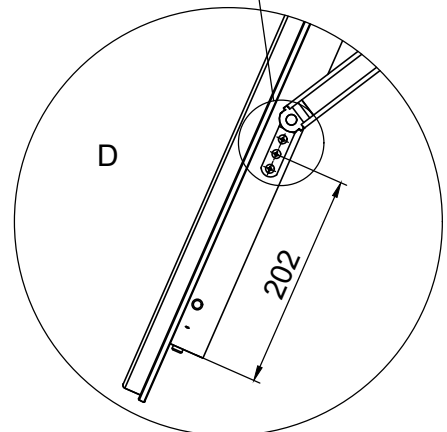
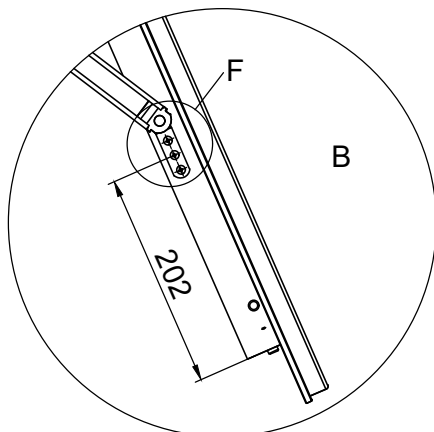
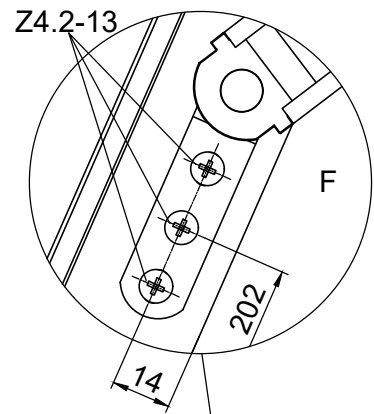
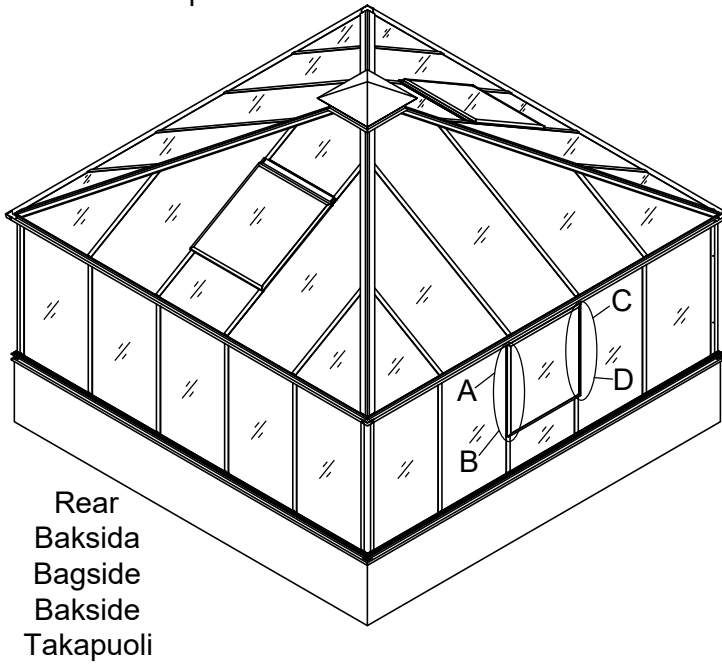
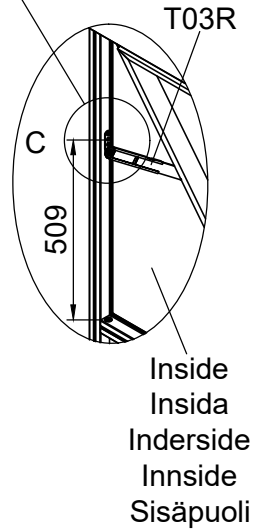
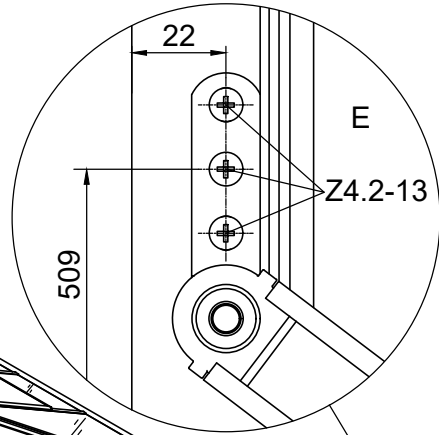
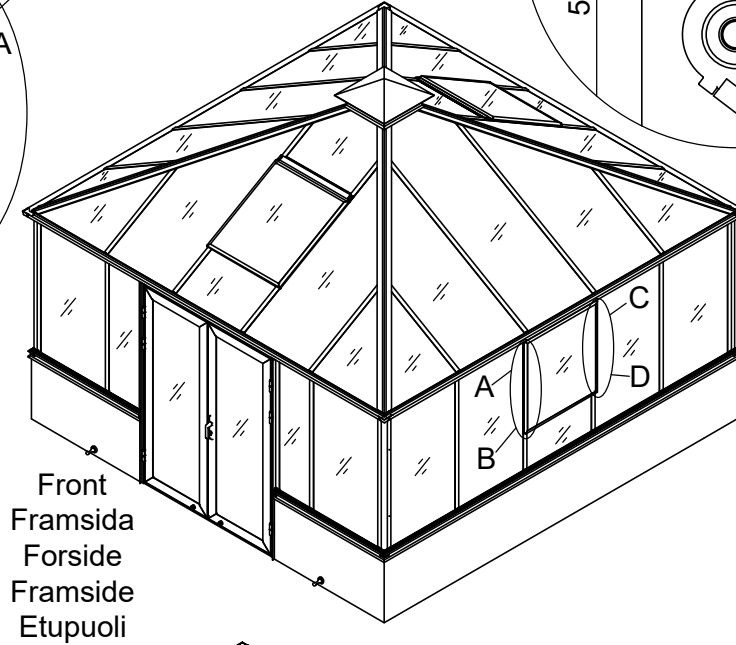
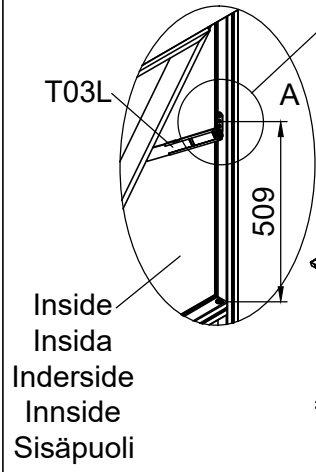
Rear
Baksida
Bagside
Baksida
Takapuoli

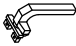



Rear
Baksida
Bagside
Baksida
Takapuoli

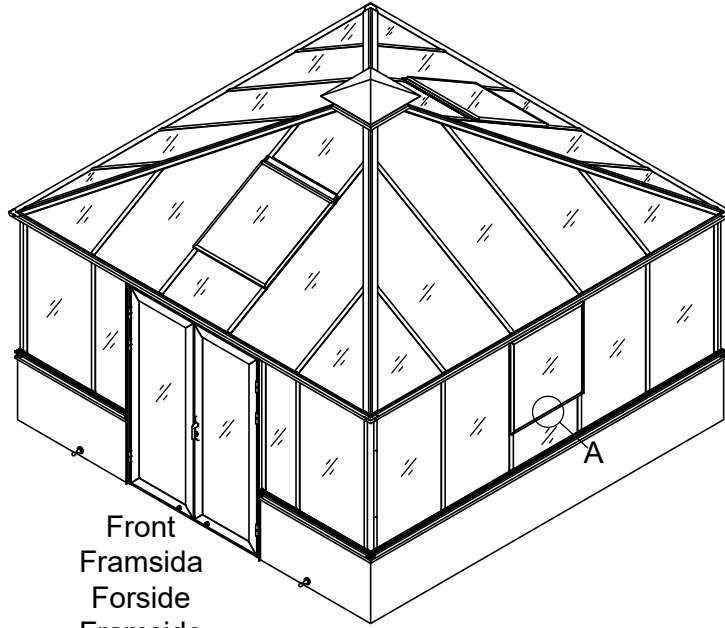
Part	NO.	QTY.	Length(MM)
	T03R	2	PCS
	T03L	2	PCS
	Z4.2-13	24	PCS

2 PCS

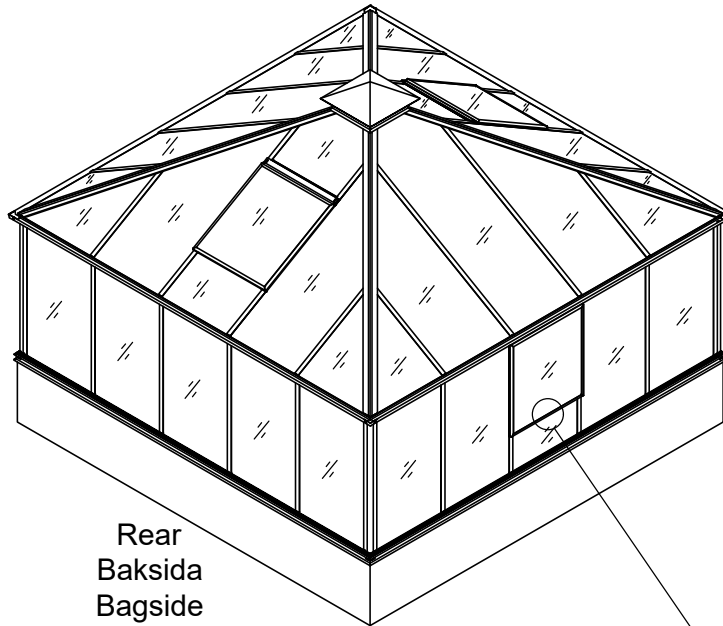


Part	NO.	QTY.	Length(MM)
	T02A	2	PCS
	M5-35	4	PCS

2 PCS

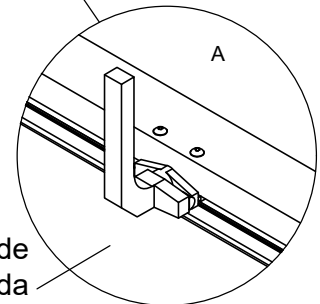
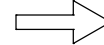
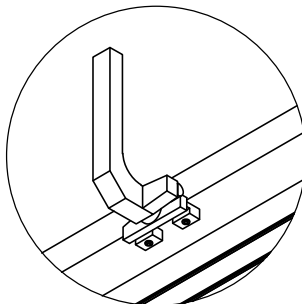
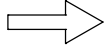
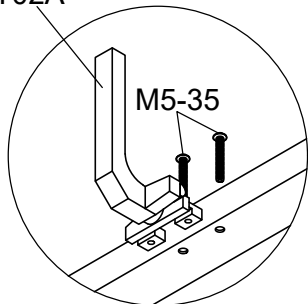


Front
Framsida
Forside
Framsida
Etupuoli




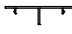
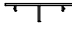
Rear
Baksida
Bagside
Baksida
Takapuoli

T02A

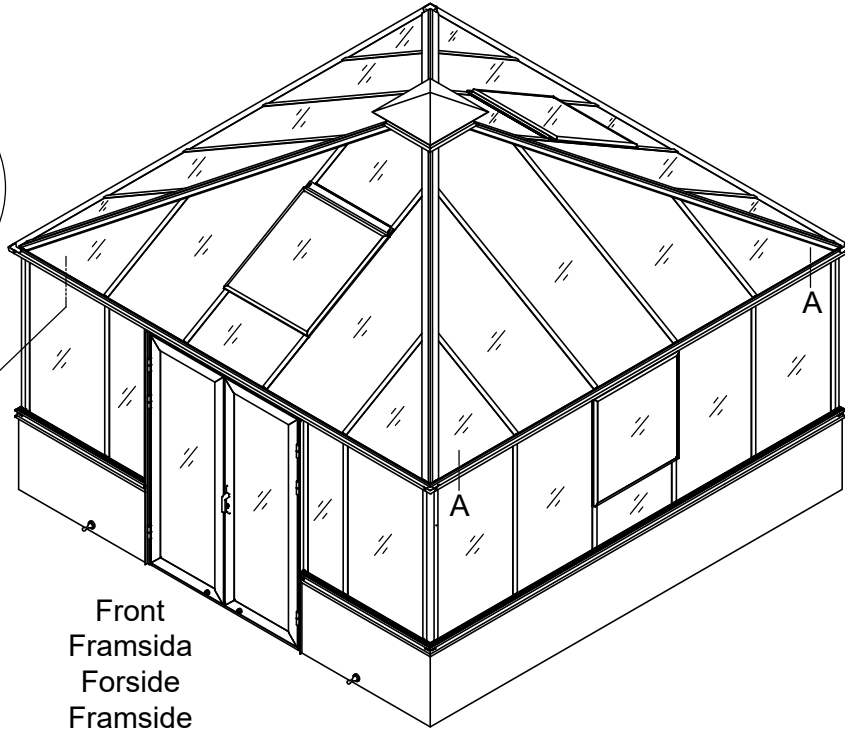
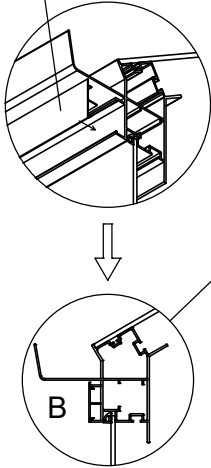


Inside
Insida
Inderside
Inside
Sisäpuoli

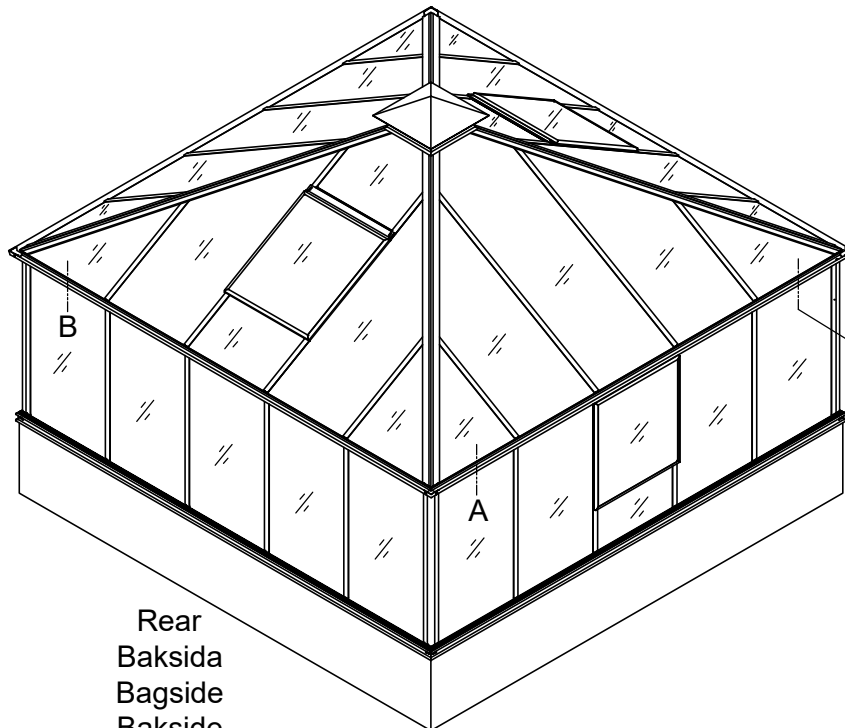
27b/30

Part	NO.	QTY.	Length(MM)	CTN NO.
	30X-Y60-5AN	1	3887	3033P-S-5F
	30X-Y60-5AN	1	3887	3000P-30X-Y60-5AN
	30X-Y62-BN	4	1512	3033P-S-BASE5

30X-Y60-5AN

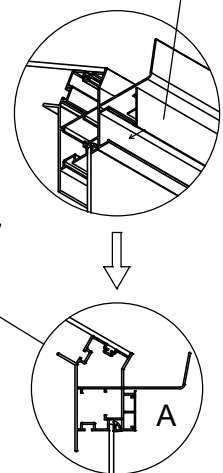



Front
Framsida
Forside
Framsida
Etupuoli

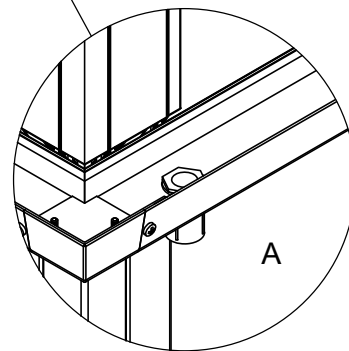
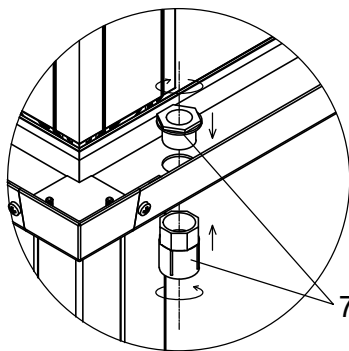
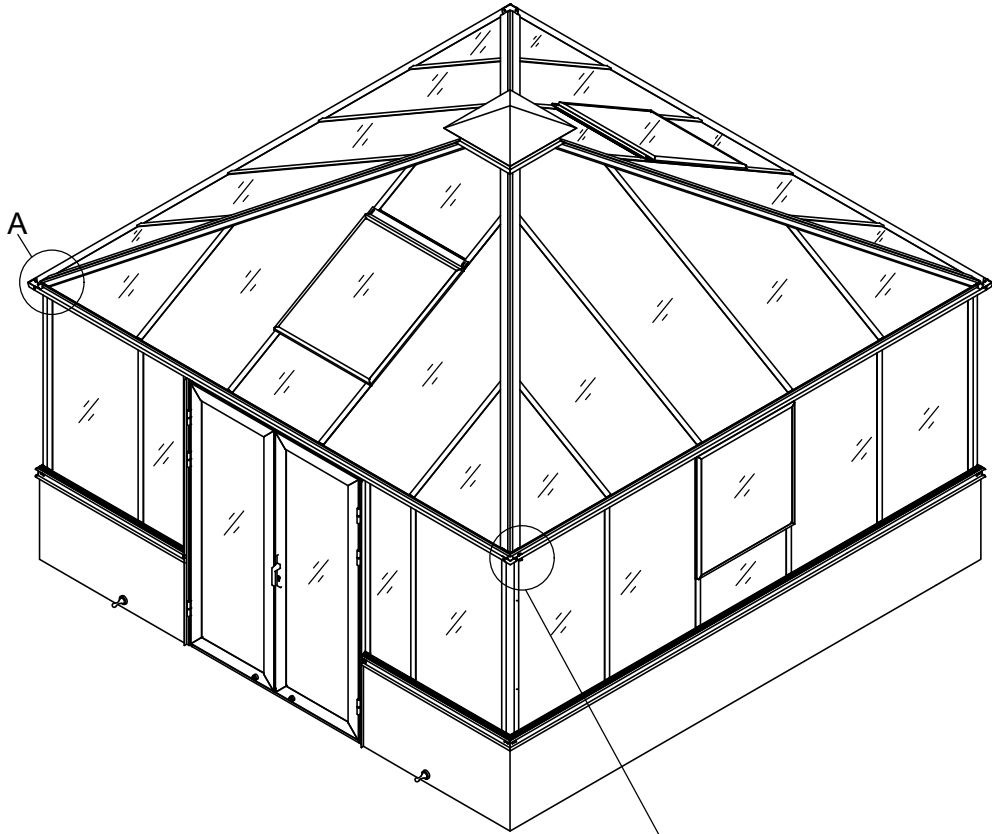


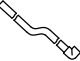
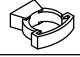




Rear
Baksida
Bagside
Baksida
Takapuoli

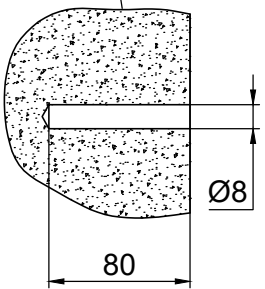
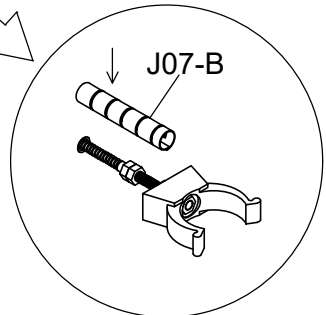
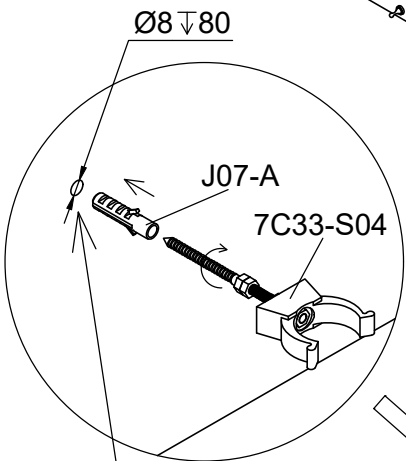
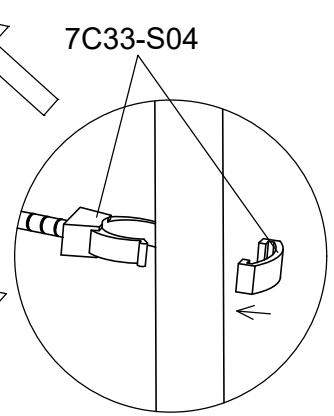
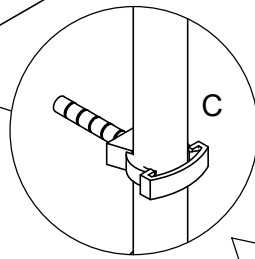
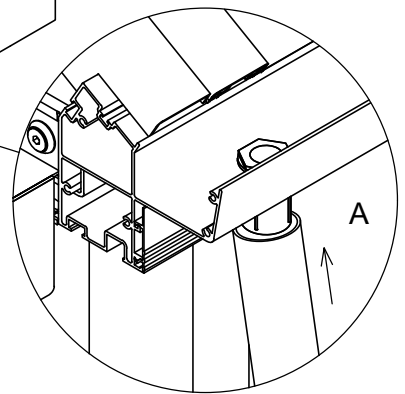
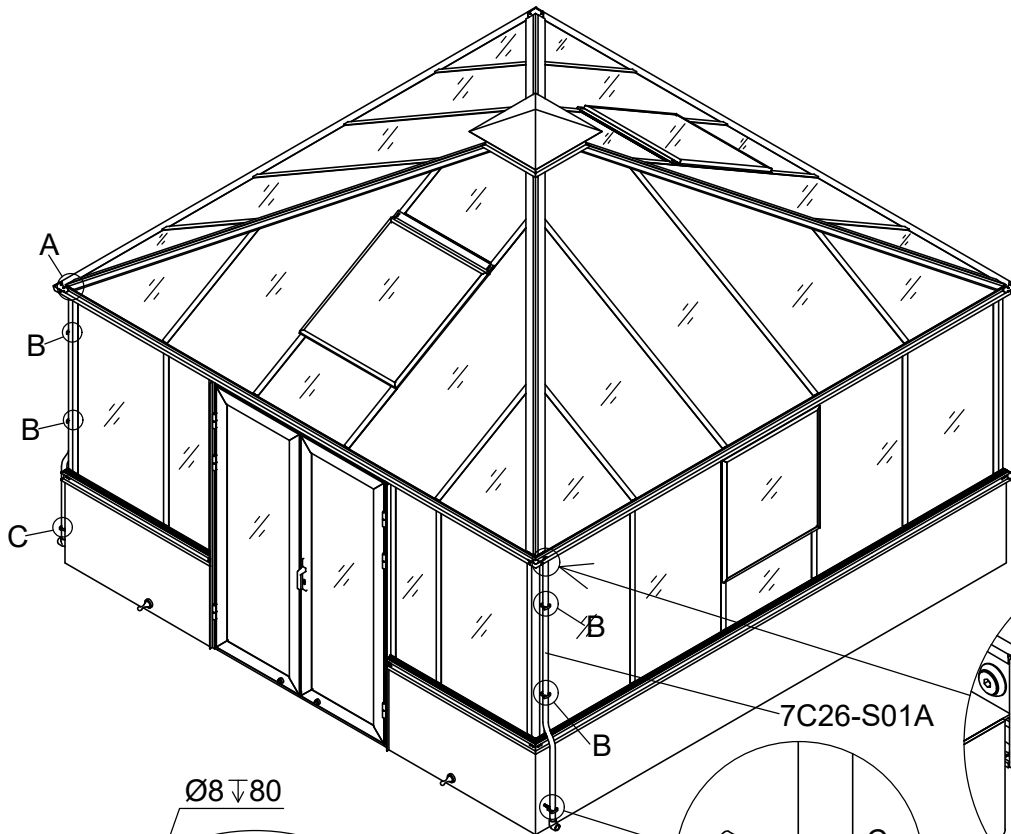
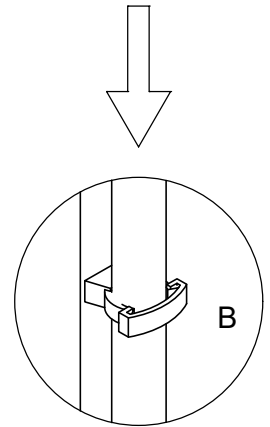
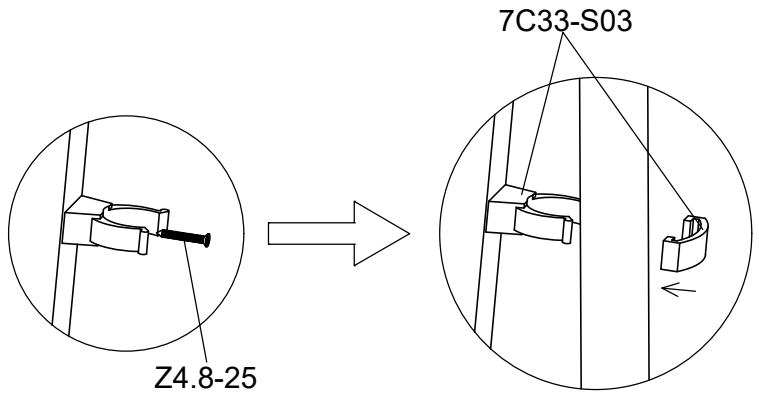
30X-Y62-BN

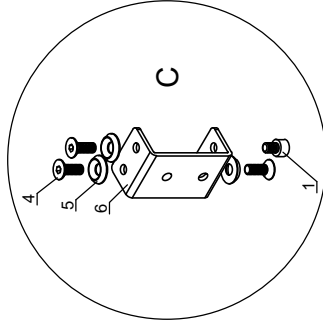
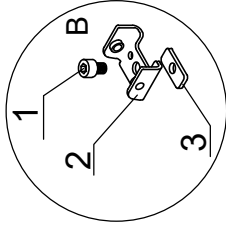
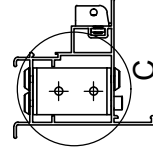
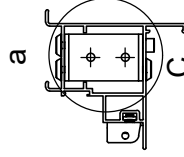
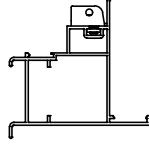
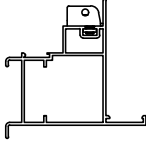
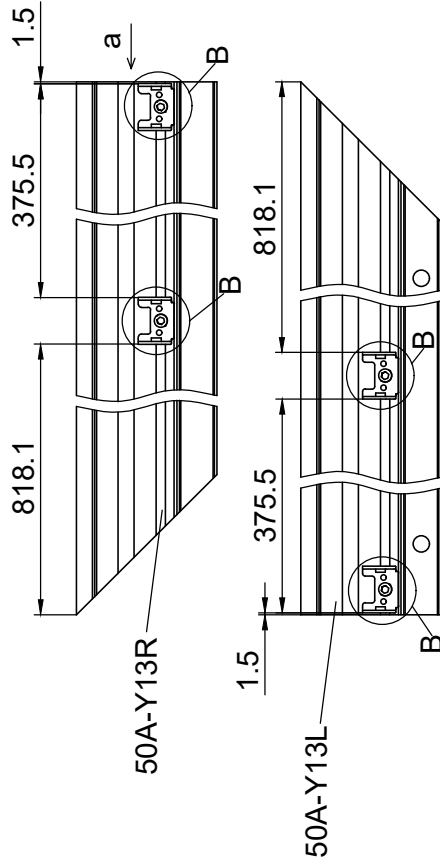
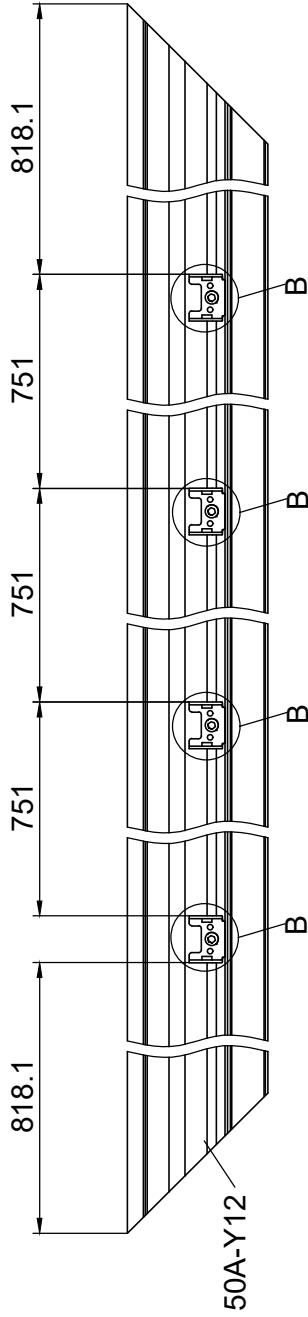
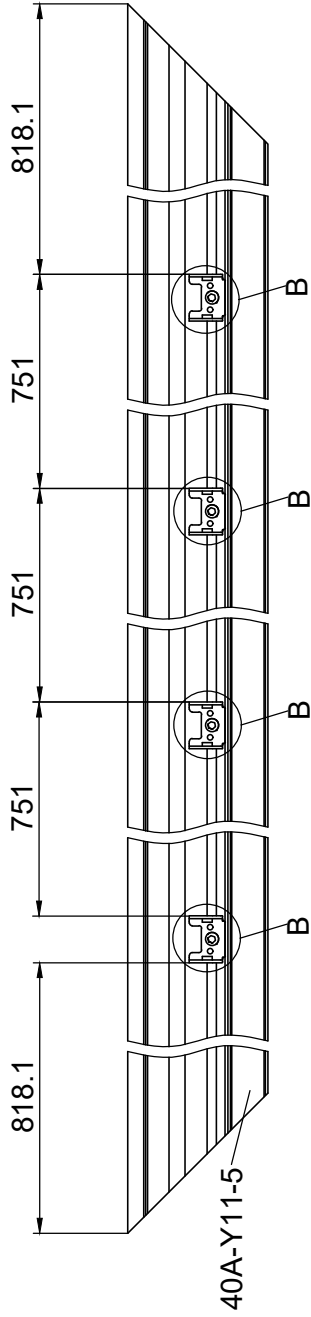


Part	NO.	QTY.	Length(MM)
	7C33-S02	2	PCS



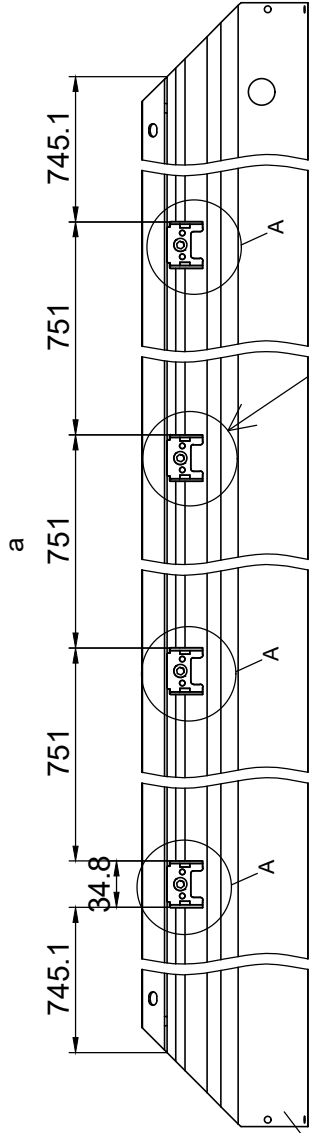
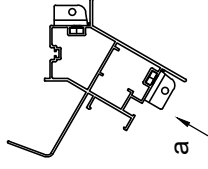
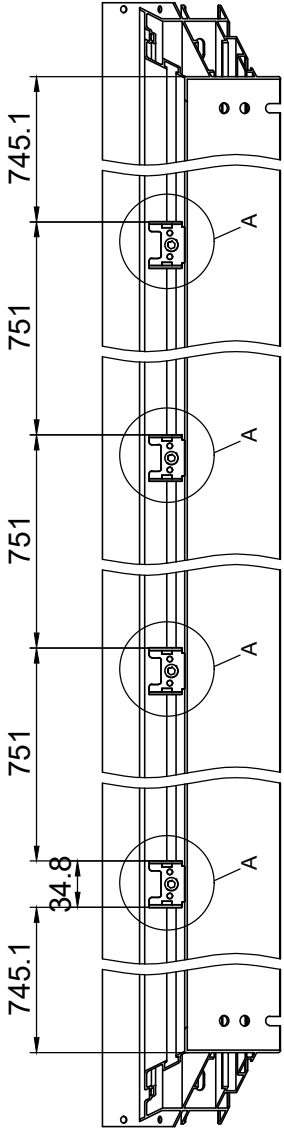
Part	NO.	QTY.	Length(MM)
	7C26-S01A	2	1900
	7C33-S03	4	PCS
	Z4.8-25	4	PCS
	7C33-S04	2	PCS
	J07-A	2	PCS
	J07-B	2	PCS



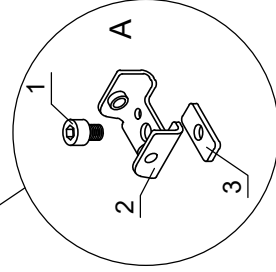


NO.	
1	M6-8
2	7B26-011
3	7B26-025
4	Si6-16
5	7B26-013
6	7B26-037A

F1

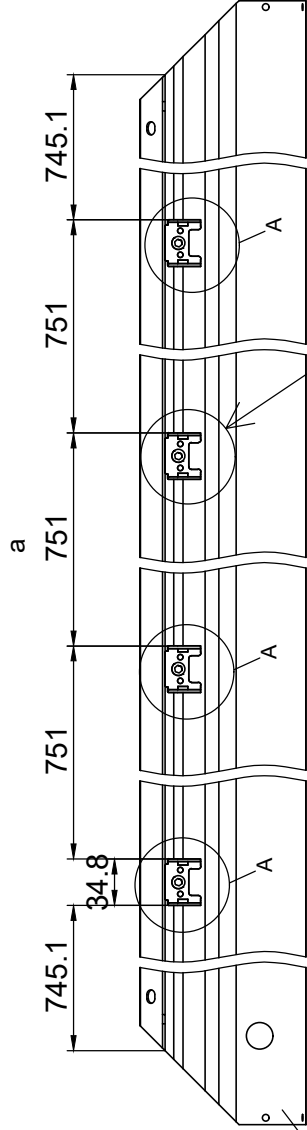
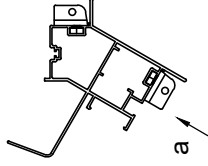
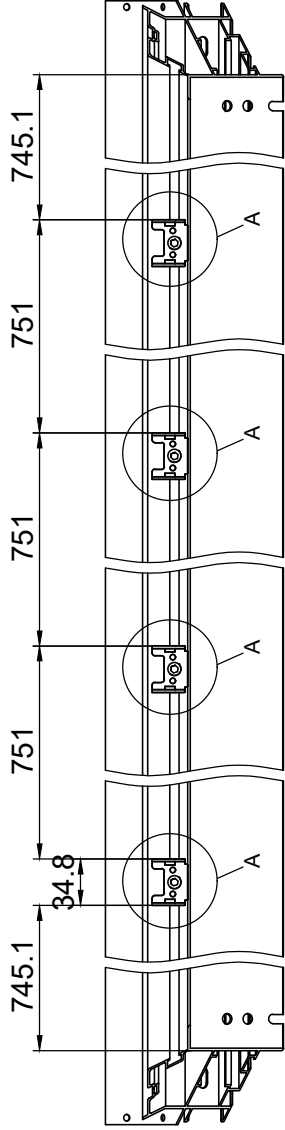


30X-Y62-5NR

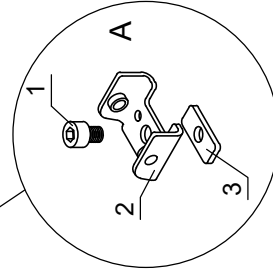


NO.	
1	M6-8
2	7B26-011
3	7B26-025

F2

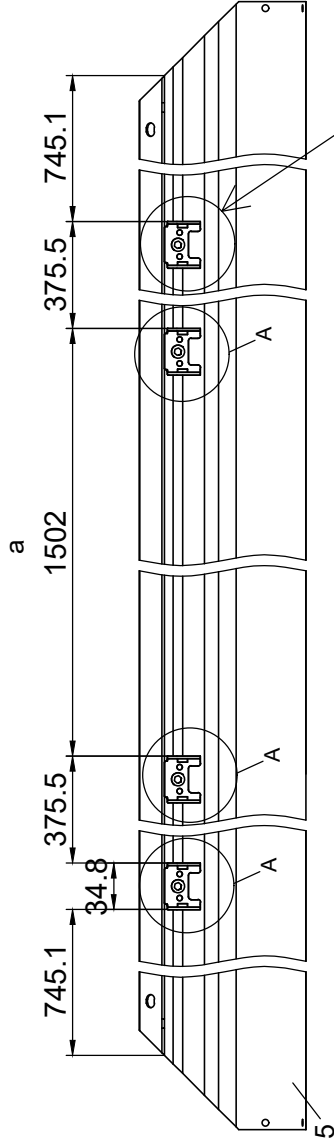
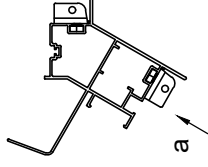
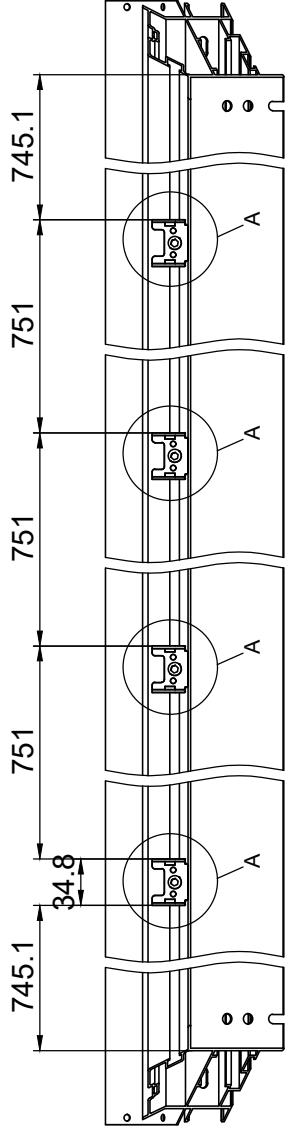


30X-Y62-5NL

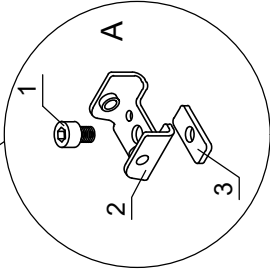


NO.	
1	M6-8
2	7B26-011
3	7B26-025

F3

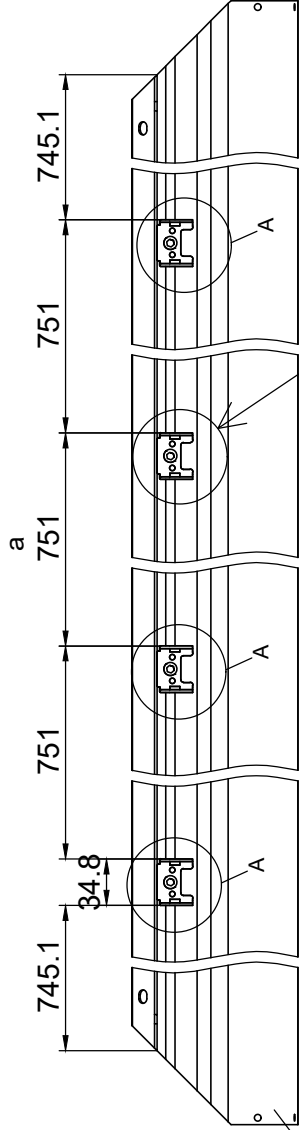
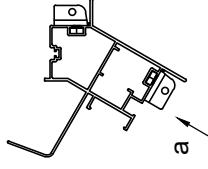
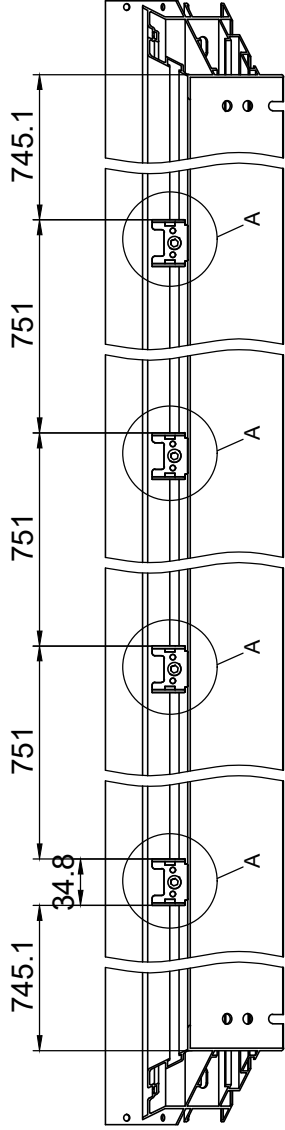


30X-Y61-5

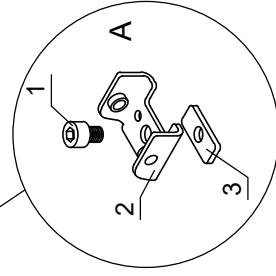


NO.	
1	M6-8
2	7B26-011
3	7B26-025

F4

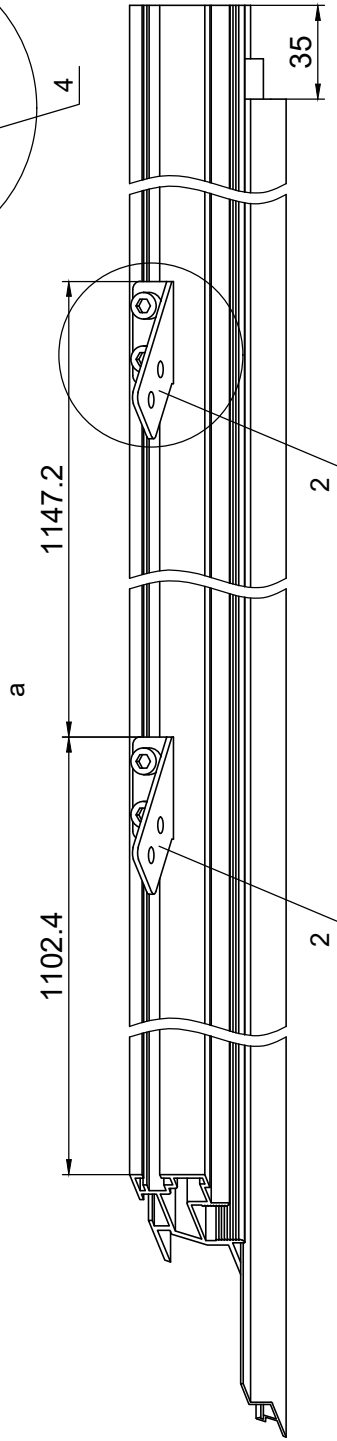
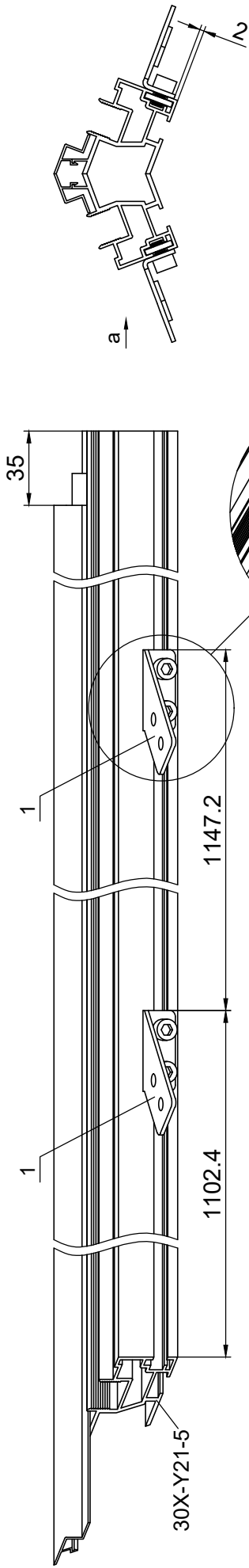


30X-Y60-5



NO.	
1	M6-8
2	7B26-011
3	7B26-025

F5



NO.	
1	7B26-020
2	7B26-021
3	7B26-019
4	M6-8

F6